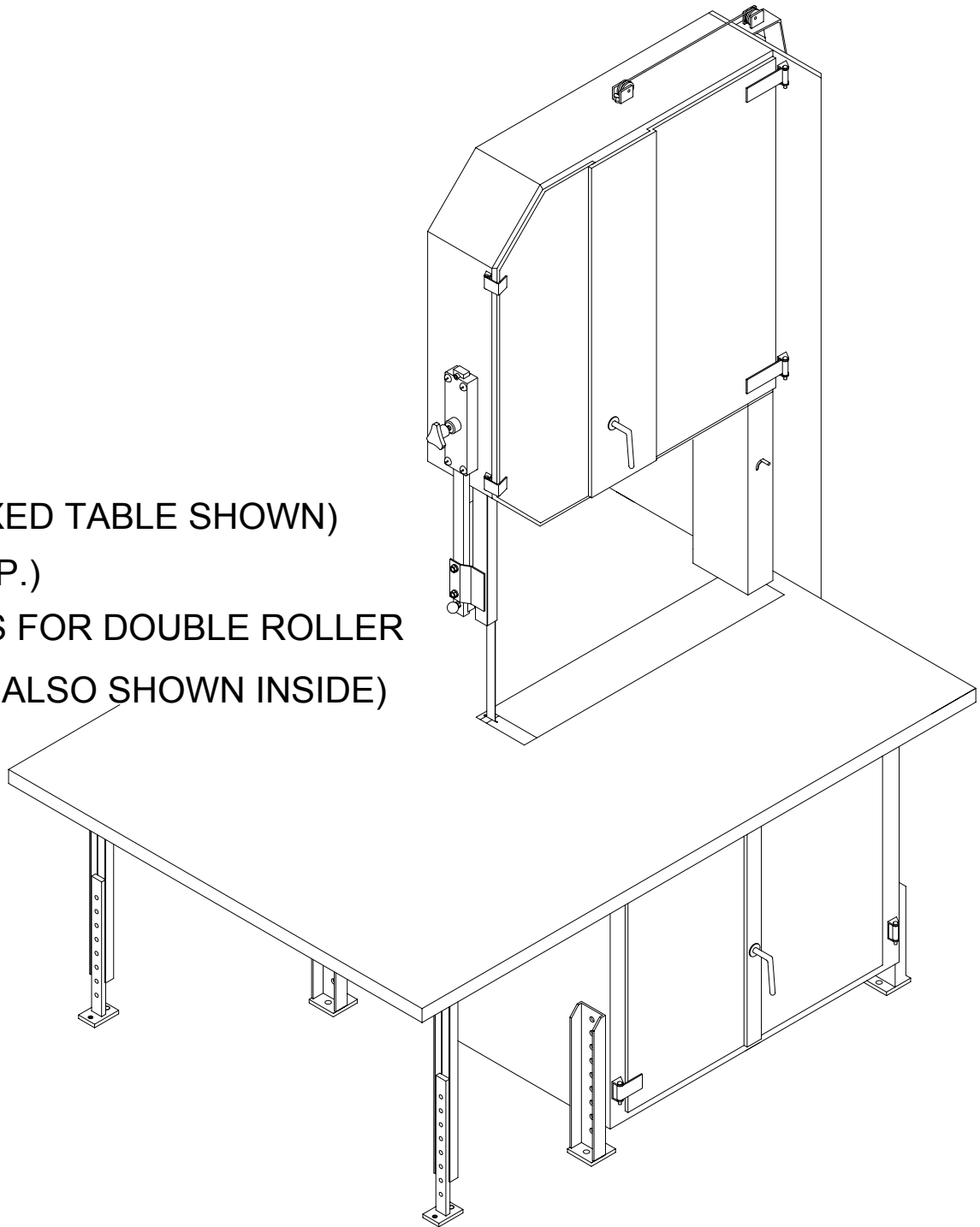


**REPLACEMENT PARTS FOR "BUTCHER BOY" SA30 MEAT SAWS
S/N 101 TO 335 MANUFACTURED BY "LASAR MFG" BEFORE 1988**

(RH FIXED TABLE SHOWN)
(LH OPP.)
(PARTS FOR DOUBLE ROLLER
TABLE ALSO SHOWN INSIDE)



American Meat Equipment Corp.
1625 S. Greenwood Ave
Montebello, Ca. 90640
PH: (323) 724-5348, Fax: (323) 838-4336

REPLACEMENT PARTS FOR "BUTCHER BOY" SA30 MEAT SAWS
S/N 101 TO 235 MANUFACTURED BY "LASAR MFG" BEFORE 1988

**DOUBLE ROLLER TABLE ASSEMBLY (SA30 S/N 143-ON)
CONTINUED FROM P9**

SA30 SAWS

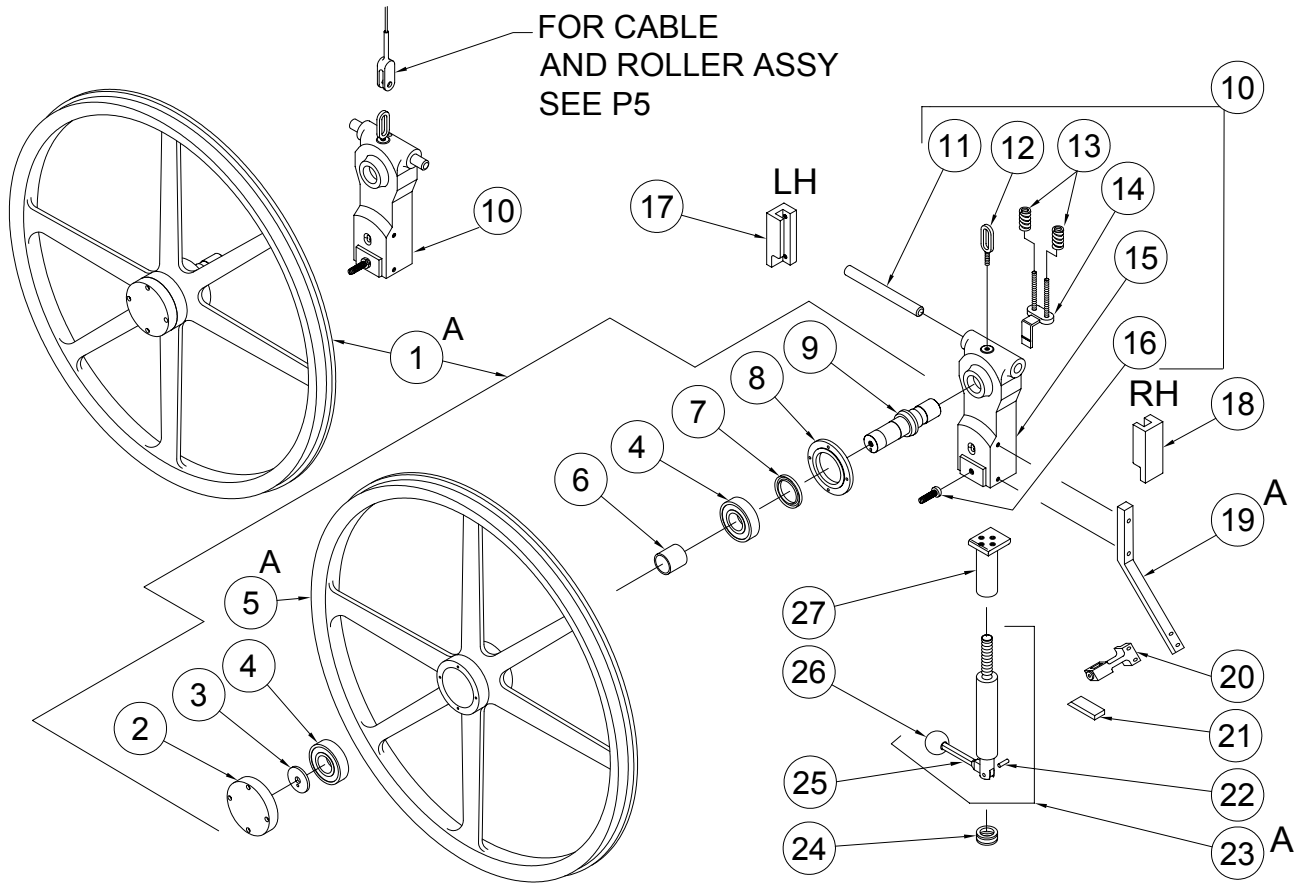
WHILE AMERICAN MEAT EQUIPMENT CORP. ENDEAVORS TO SUPPLY OWNERS OF "BUTCHER BOY" MACHINES MANUFACTURED PRIOR TO JUNE 1997 WITH QUALITY PARTS, AMERICAN MEAT EQUIPMENT CORP. IS ONLY RESPONSIBLE FOR THE PARTS AND INFORMATION ON MACHINES MANUFACTURED BY AMERICAN MEAT EQUIPMENT CORP. SINCE JUNE 1997.

INDEX

UPPER WHEEL AND HANGER ASSEMBLY	P1
LOWER WHEEL AND HOUSING ASSEMBLY	P2
MOTOR AND DRIVER COMPONENTS	P3
BAR GUIDE ASSEMBLY	P4
COUNTER WEIGHT AND CABLE ASSEMBLY	P5
FRONT AND REAR SCRAPER AND HOLDER	P5
UPPER DOOR AND COVER W/COMPONENTS	P6
LOWER DOOR AND COVER W/COMPONENTS, AND LEGS	P7
FIXED TABLE WITH COMPONENTS	P8
DOUBLE ROLLER TABLE WITH COMPONENTS	P9
DOUBLE ROLLER TABLE WITH COMPONENTS	P10

REPLACEMENT PARTS FOR "BUTCHER BOY" SA30 MEAT SAWS
S/N 101 TO 235 MANUFACTURED BY "LASAR MFG" BEFORE 1988

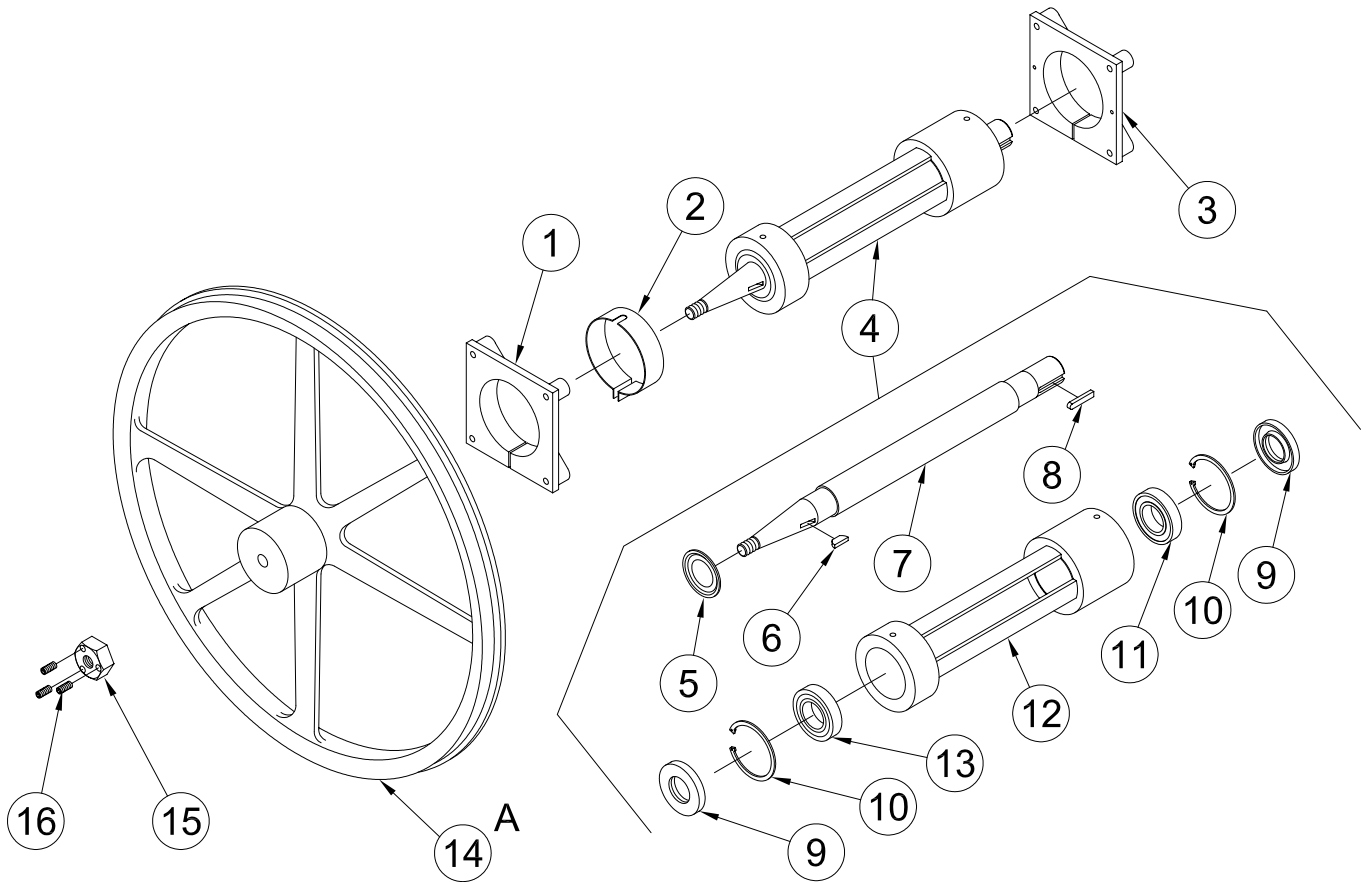
UPPER WHEEL AND HANGER ASSEMBLY



ITEM	PART#	DESCRIPTION	QTY	ITEM	PART#	DESCRIPTION	QTY
1A	0030100	SA30 UPPER WHEEL ASSY	1	15	0030013	HANGER (RH & LH SAWS)	1
2	0030086	WHEEL COVER	1	16	0030065	ADJUSTING SCREW	1
3	0030087S	WASHER	1	17	0030175S	SS GUIDE BLOCK LH	1
4	0090306	BEARING	2	18	0030176S	SS GUIDE BLCOK RH	1
5A	0030012	SA30 UPPER WHEEL	1	19A	0030093	SA30 SCRAPER BAR	1
6	0030091	SPACER	1	20	0030097	SCRAPER HOLDER	1
7	0090417	SEAL	1	21	0030092	SCRAPER	1
8	0030085	SEAL CUP	1	22	DP-04-14	PIN	1
9	0030084	UPPER WHEEL SHAFT	1	23A	0030077S	SA30 SS TENSION SCR. ASSY	1
10	0030066	UPPER WHEEL HANGER ASSY	1	24	0090318	THRUST BEARING	1
11	0030074	HANGER PIN	1	25	0020208S	SS HANDLE	1
12	0030510	EYE BOLT	1	26	0090638	KNOB	1
13	0010082	SPRING	2	27	0030078	TENISON NUT ASSEMBLY	1
14	0030071S	TENSION INDICATOR	1				

REPLACEMENT PARTS FOR "BUTCHER BOY" SA30 MEAT SAWS
S/N 101 TO 235 MANUFACTURED BY "LASAR MFG" BEFORE 1988

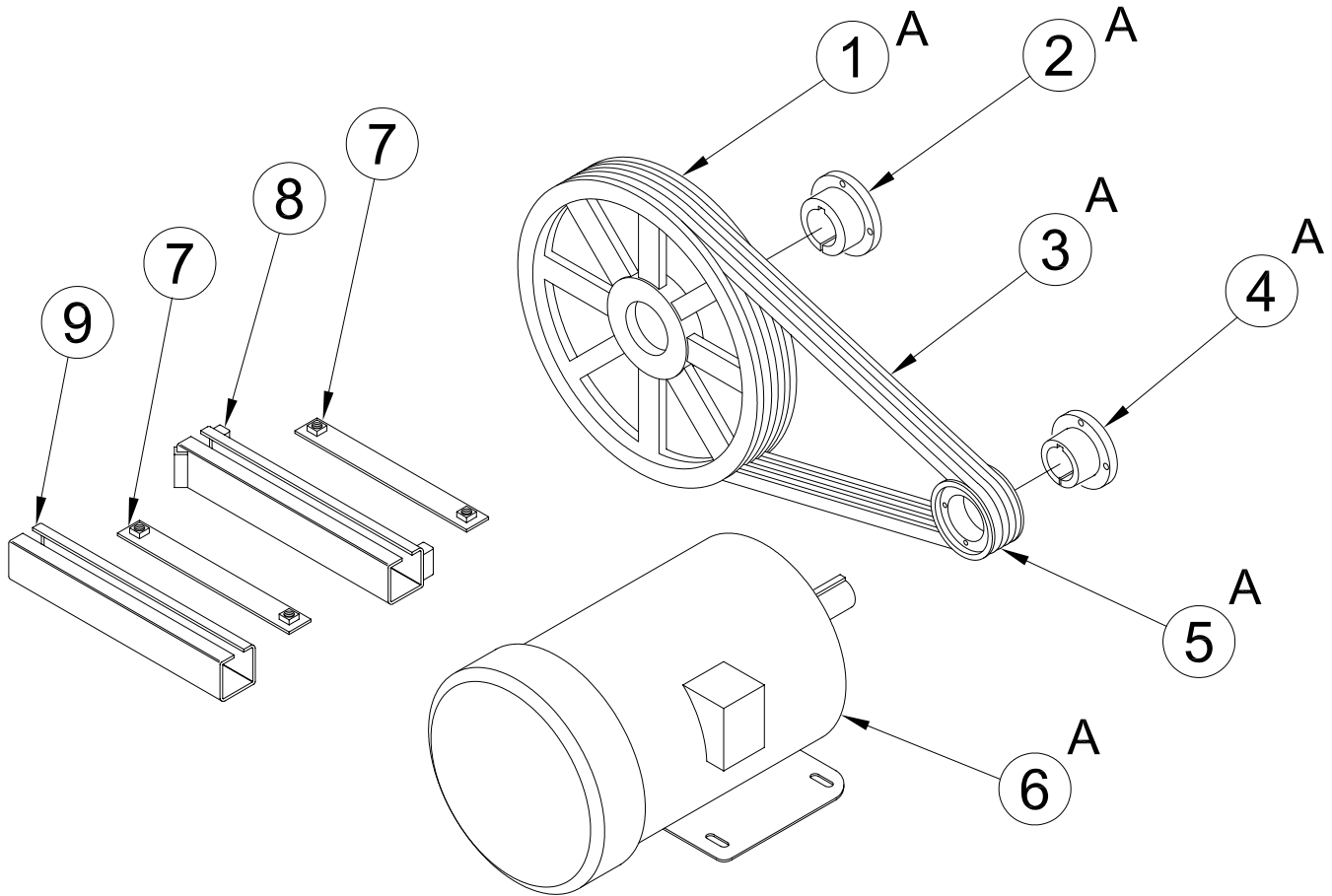
LOWER WHEEL & HOUSING ASSEMBLY



ITEM	PART#	DESCRIPTION	QTY
1	0030016	HOUSING SUPPORT WHEEL	1
2	0030512	BEARING COVER	1
3	0030052	HOUSING SUPPORT PULLEY	1
4	0030230	SHAFT & HOUSING ASSEMBLY	1
5	0090420	NILOS RING	1
6	0090649	WOOD RUFF KEY	1
7	0030014	LOWER WHEEL SHAFT	1
8	0059247-7	KEY	1
9	0090437	SEAL	2
10	0090226	RETAING RING	2
11	0090313	BALL BEARING	1
12	0030015	BEARING HOUSING	1
13	0090315	ROLLER BEARING	1
14A	0030011	SA30 LOWER WHEEL	1
15	0036181	WHEEL NUT	1
16	SHSS-28-12-SS	SET SCREW	3

REPLACEMENT PARTS FOR "BUTCHER BOY" SA30 MEAT SAWS
S/N 101 TO 235 MANUFACTURED BY "LASAR MFG" BEFORE 1988

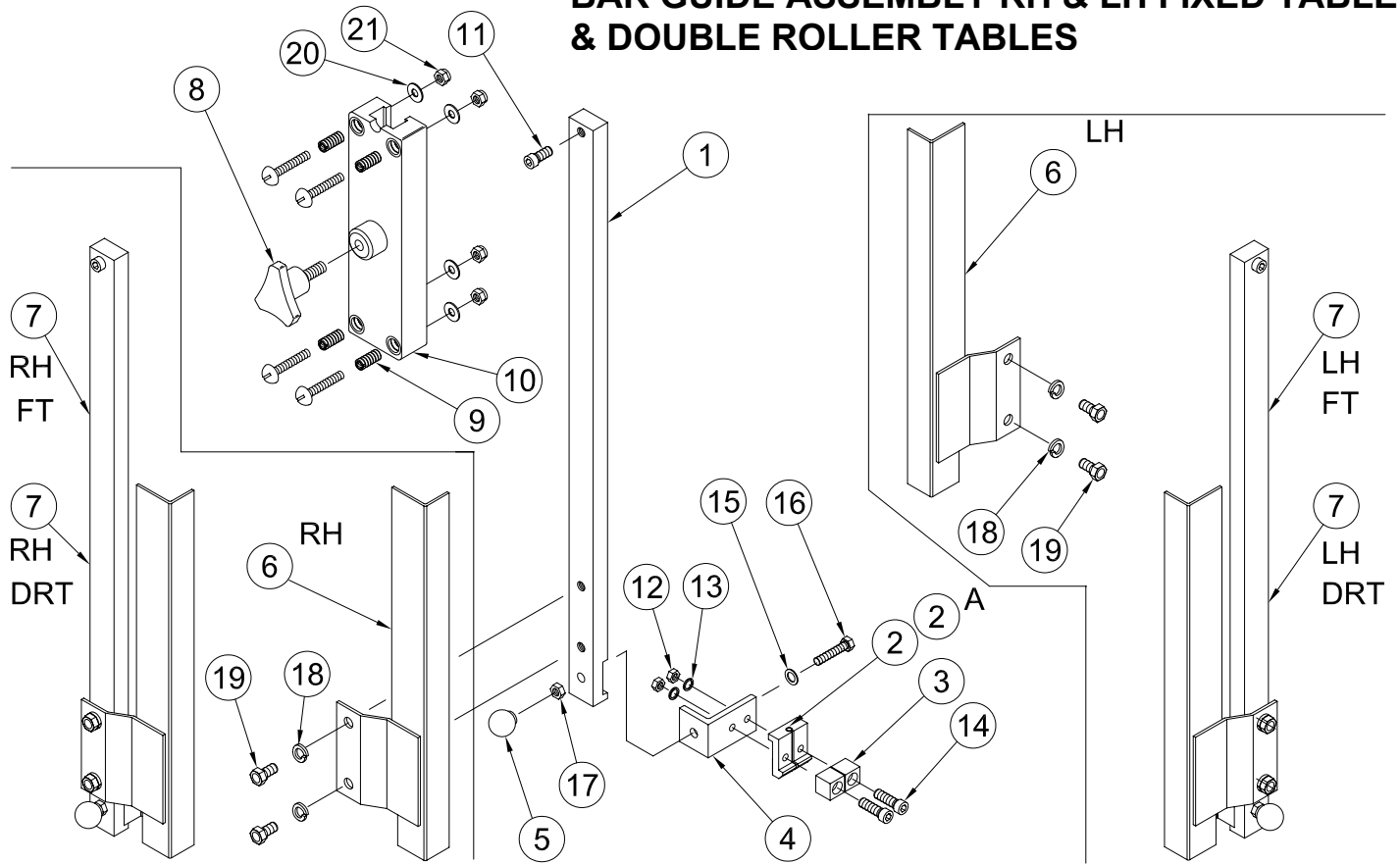
MOTOR & DRIVE COMPONENTENTS



ITEM	PART#	DESCRIPTION	QTY
1A	0090168	SA30 DRIVEN PULLEY (PURCHASE W#2A)	1
2A	0090169	SA30 HUB DRIVEN PULLEY (PURCHASE W#1A)	1
3A	0090503	SA30 BELT	4
4A	0090142	SA30 HUB MOTOR PULLEY (PURCHASE W#5A)	1
5A	0090167	SA30 MOTOR PULLEY (PURCHASE W#4A)	1
6A	0092237	SA30 7.5 HP TEFC MOTOR 230V/460V-3PH-60Hz	1
7	0030226	NUT PLATE	2
8	0030241	MOTOR RAIL INNER	1
9	0030242	MOTRO RAIL OUTTER	1

REPLACEMENT PARTS FOR "BUTCHER BOY" SA30 MEAT SAWS
S/N 101 TO 235 MANUFACTURED BY "LASAR MFG" BEFORE 1988

**BAR GUIDE ASSEMBLY RH & LH FIXED TABLE
& DOUBLE ROLLER TABLES**

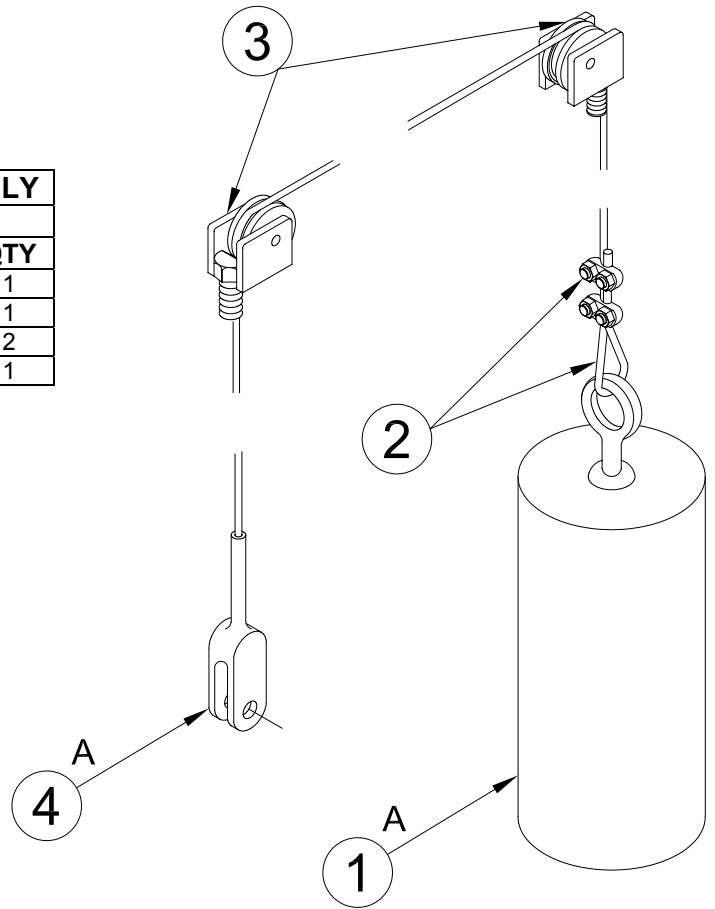


ITEM	PART#	DESCRIPTION	QTY	ITEM	PART#	DESCRIPTION	QTY
1	0030121S	SS BAR GUIDE F.T.	1	9	0030245S	SS ADJUSTING SCREW	4
1	0030251S	SS BAR GUIDE D.R.T.	1	10	0030117	ADJUSTING BAR GUIDE	1
2	0030178	BLOCK SUPPORT W#2A	1	11	SHCS-23-12-SS	SOCKET HD CAP SCREW	1
2A	0030209	CARBONIZED INSERT	1	12	HN-19-SS	HEX NUT SS	2
3	0030090	GUIDE BLOCK	2	13	ISW-04-SS	INT. SHAKE PROOF WASHER	2
4	0030122S	MOUNT GUIDE BLOCK	1	14	SHCS-19-20-SS	SOCKET HD CAP SCREW	2
5	0090638	BALL KNOB	1	15	FW-05-SS	FLAT WASHER SS	1
6-RH	0030249S	RH BLADE GUARD FT OR DRT	1	16	HHCS-22-24-SS	HEX HD CAP SCREW	1
6-LH	0030250S	LH BLADE GUARD FT OR DRT	1	17	HH-22-SS	HEX NUT SS	1
7-RH FT	0030246S	RH BAR GUIDE ASSY FT USES #1 THRU 6-RH	1	18	ISW-06-SS	INT. SHAKE PROOF WASHER	1
7-LH FT	0030247S	LH BAR GUIDE ASSY DRT USES #1 THRU 6-LH	1	19	HHCS-23-10-SS	HEX HD CAP SCREW	2
7-RH DRT	0030447S	RH BAR GUIDE ASSY DRT USES #1 THRU 6-RH	1	20	FW-05-SS	FLAT WASER SS	4
7-LH DRT	0030449S	LH BAR GUIDE ASSY DRT USES #1 THRU 6-LH	1	21	HH-NI-21-SS	NYLOCK HEX NUT SS	4
8	0030258	HAND WHEEL & STUD	1				

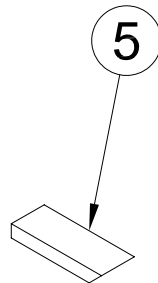
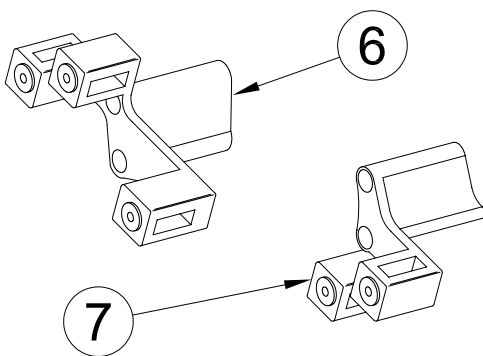
REPLACEMENT PARTS FOR "BUTCHER BOY" SA30 MEAT SAWS
S/N 101 TO 235 MANUFACTURED BY "LASAR MFG" BEFORE 1988

COUNTER WEIGHT AND CABLE ASSEMBLY

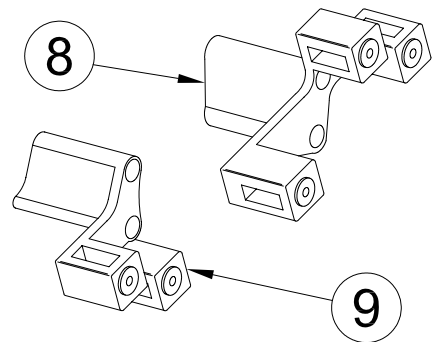
ITEM	PART#	DESCRIPTION	QTY
1A	0030312	SA30 C'WEIGHT	1
2	0095007	CABLE CLIPS & THIMBLE	1
3	0030294	CABLE ROLLER	2
4A	0030299	SA30 CABLE	1



RH SCRAPER HOLDERS



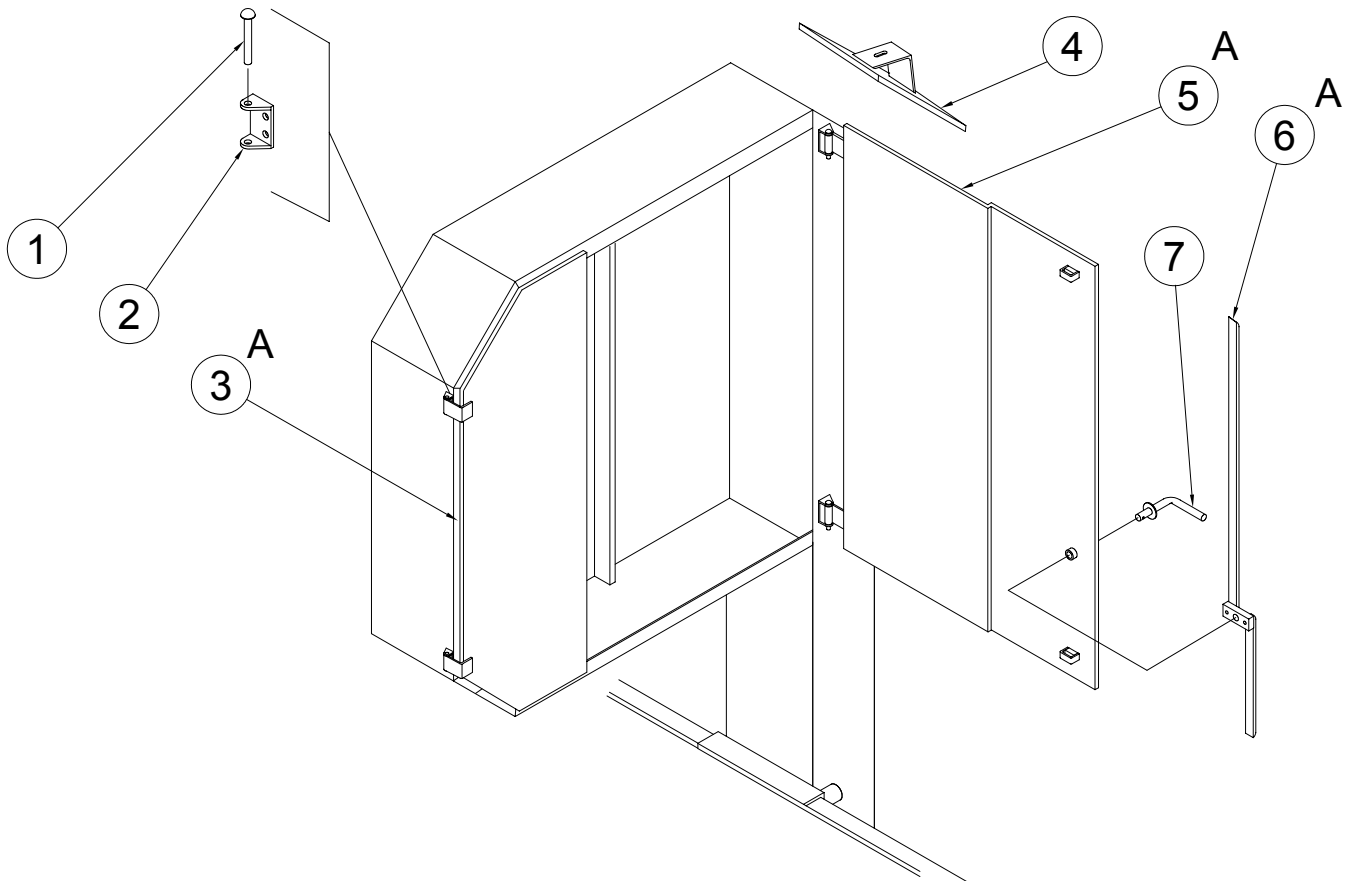
LH SCRAPER HOLDERS



ITEM	PART#	DESCRIPTION	QTY
5	0030092	FIBER SCRAPER	5
6	0030095	RH FRONT SCRAPER	1
7	0030096	RH REAR SCRAPER	1
8	0030094	LH FRONT SCRAPER	1
9	0090098	LH REAR SCRAPER	1

REPLACEMENT PARTS FOR "BUTCHER BOY" SA30 MEAT SAWS
 S/N 101 TO 235 MANUFACTURED BY "LASAR MFG" BEFORE 1988

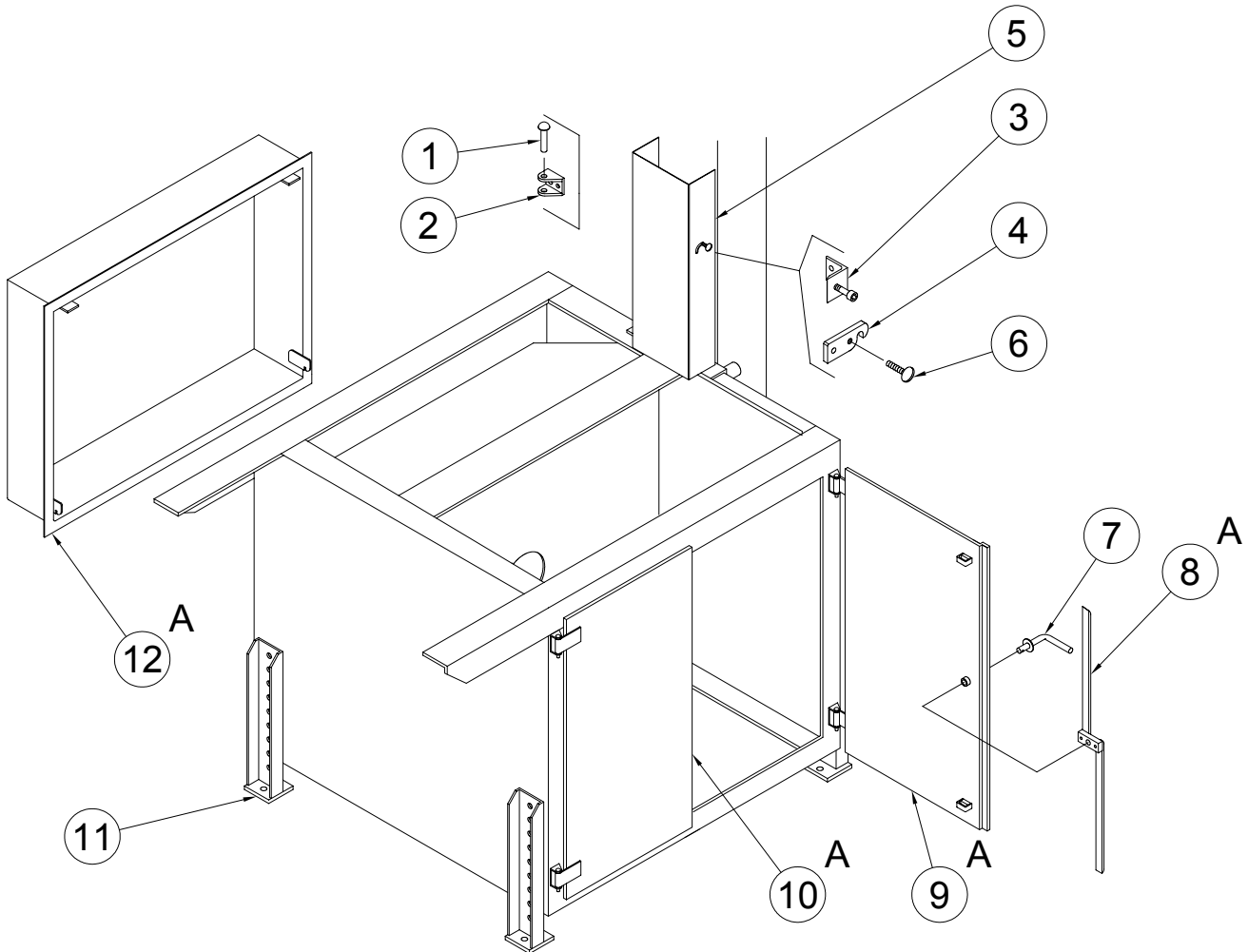
COVERS & UPPER DOORS W/COMPONENTS



ITEM	PART#	DESCRIPTION	QTY
1	0030758	SS HINGE PIN-UPPER & LOWER DOOR	8
2	0010566	SS HINGE HALF-UPPER & LOWER DOOR	8
3A	0030663	SA30 SS FRONT UPPER DOOR HALF	1
4	0030616	SS COLUMN COVER	1
5A	0030664	RH SA30 SS REAR UPPER DOOR HALF	1
5A	0030665	LH SA30 SS REAR UPPER DOOR HALF	1
6A	0030610	SA30 UPPER DOOR BOLT ASSEMBLY	1
7	0030628	SS HANDLE	2

REPLACEMENT PARTS FOR "BUTCHER BOY" SA30 MEAT SAWS
S/N 101 TO 235 MANUFACTURED BY "LASAR MFG" BEFORE 1988

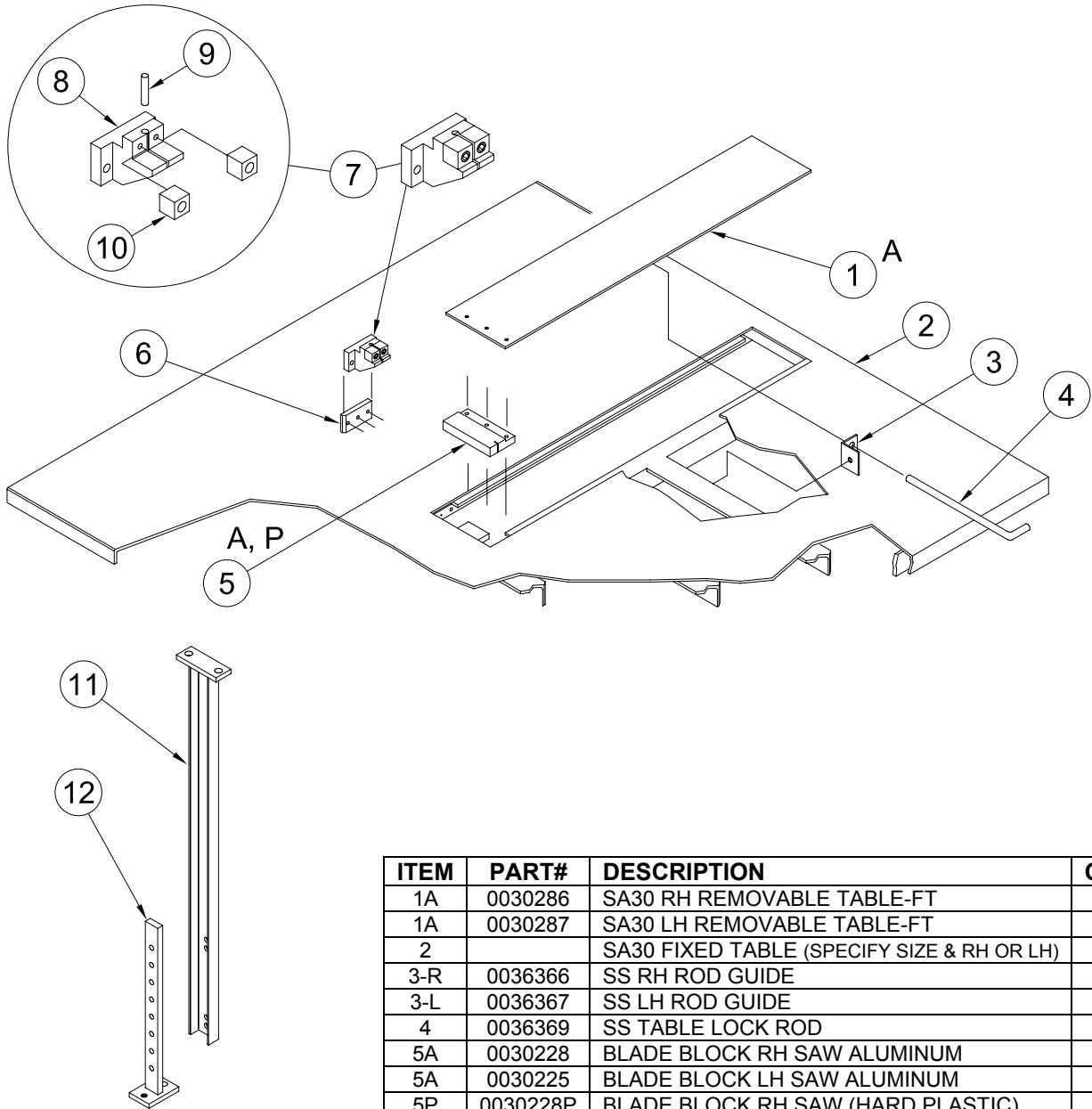
COVERS, LEGS & LOWER DOORS W/COMPONENTS



ITEM	PART#	DESCRIPTION	QTY
1	0010571	SS HINGE HALF-SAW BLADE DOOR	2
2	00160672	SS HINGE PIN-SAW BLADE DOOR	2
3	0030619	LATCH ANGLE	1
4	0030618	SS CATCH	1
5-R	0030601	RH SAW BLADE DOOR FIXED TABLE	1
5-L	0030602	LH SAW BLADE DOOR FIXED TABLE	1
6	TS-21-16-SS	THUMB SCREW SS	1
7	0030628	SS HANDLE LOWER DOOR	1
8A	0030622	SA30 LOWER DOOR BOLT ASSEMBLY	1
9A	0030667	SA30 SS LOWER DOOR HALF	1
10A	0030666	SA30 SS LOWER DOOR HALF	1
11	0030515	SS LEG CABINET	4
12A	0030630	SA30 SS BELT DRIVE COVER	1

REPLACEMENT PARTS FOR "BUTCHER BOY" SA30 MEAT SAWS
S/N 101 TO 235 MANUFACTURED BY "LASAR MFG" BEFORE 1988

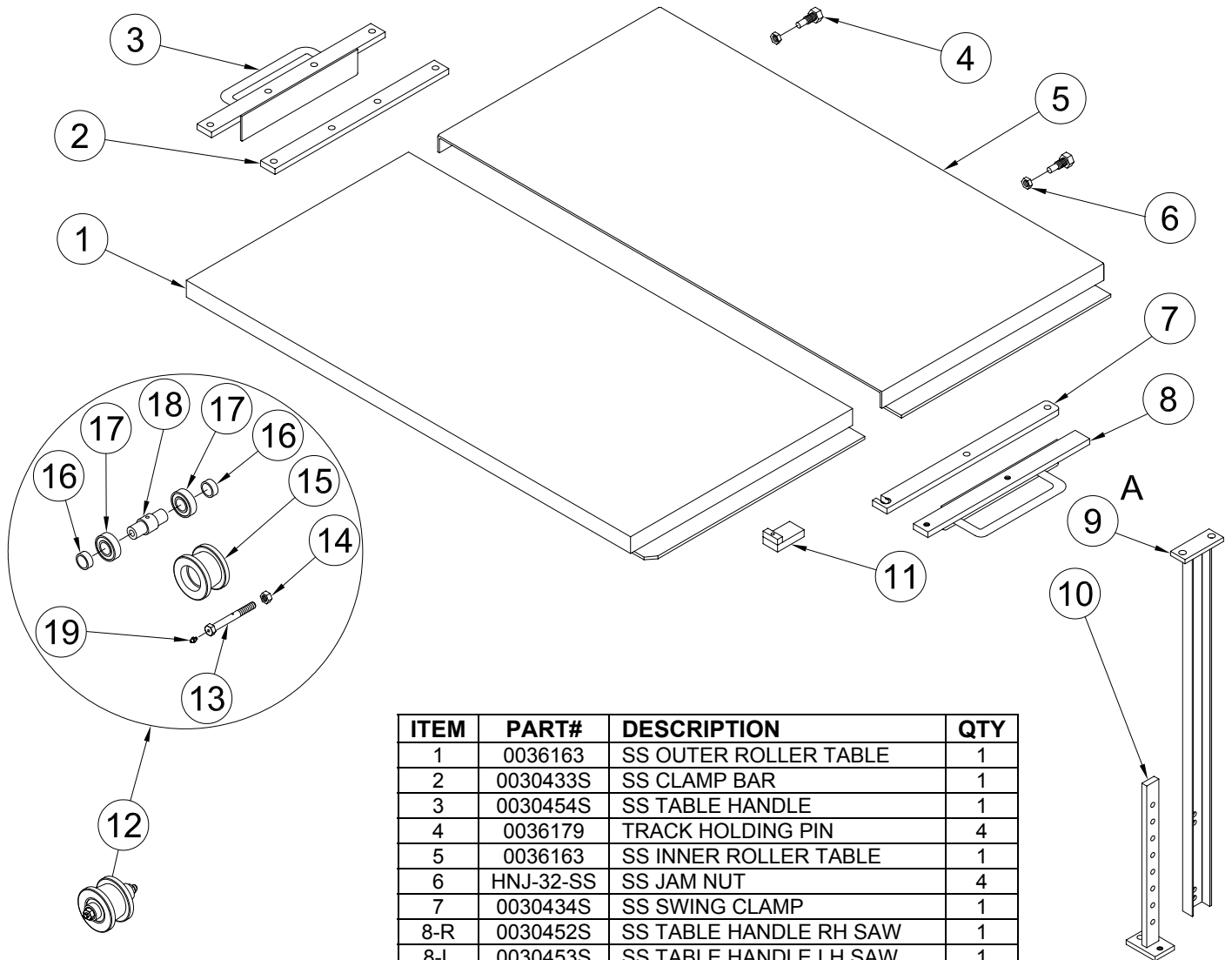
STANDARD RH & LH BEEF & PORK TABLE ASSEMBLY



ITEM	PART#	DESCRIPTION	QTY
1A	0030286	SA30 RH REMOVABLE TABLE-FT	1
1A	0030287	SA30 LH REMOVABLE TABLE-FT	1
2		SA30 FIXED TABLE (SPECIFY SIZE & RH OR LH)	1
3-R	0036366	SS RH ROD GUIDE	1
3-L	0036367	SS LH ROD GUIDE	1
4	0036369	SS TABLE LOCK ROD	1
5A	0030228	BLADE BLOCK RH SAW ALUMINUM	1
5A	0030225	BLADE BLOCK LH SAW ALUMINUM	1
5P	0030228P	BLADE BLOCK RH SAW (HARD PLASTIC)	1
5P	0030225P	BLADE BLOCK LH SAW (HARD PLASTIC)	1
6	0030116S	SS LOWER GUIDE PAD	1
7	0030117	LOWER GUIDE BRACKET W/PIN & BLOCKS	1
8	0030134	LOWER GUIDE BRACKET	1
9	0030209	CARBIDE PIN	1
10	0030090	GUIDE BLOCK	2
11	0030400S	SA30 SS TABLE SUPPORT LEG	2
12	0030420S	SS TABLE ADJUSTING LEG	2

REPLACEMENT PARTS FOR "BUTCHER BOY" SA30 MEAT SAWS
S/N 101 TO 235 MANUFACTURED BY "LASAR MFG" BEFORE 1988

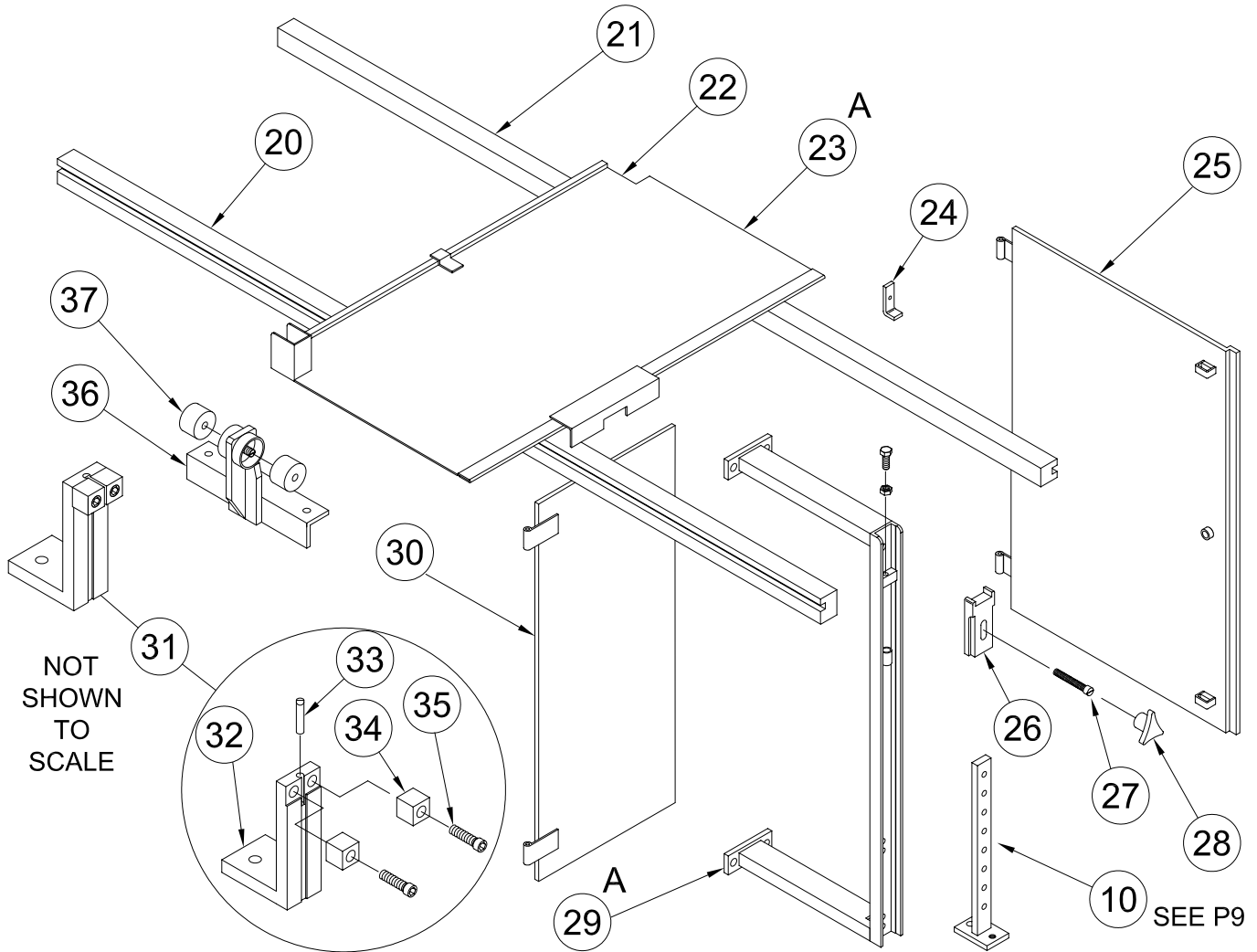
**DOUBLE ROLLER TABLE ASSEMBLY (SA30 S/N 143-ON)
CONTINUED ON P10**



ITEM	PART#	DESCRIPTION	QTY
1	0036163	SS OUTER ROLLER TABLE	1
2	0030433S	SS CLAMP BAR	1
3	0030454S	SS TABLE HANDLE	1
4	0036179	TRACK HOLDING PIN	4
5	0036163	SS INNER ROLLER TABLE	1
6	HNJ-32-SS	SS JAM NUT	4
7	0030434S	SS SWING CLAMP	1
8-R	0030452S	SS TABLE HANDLE RH SAW	1
8-L	0030453S	SS TABLE HANDLE LH SAW	1
9A	0030400S	SA30 SS TABLE SUPPORT LEG	3
10	0030420S	SS TABLE ADJUSTING LEG	4
11	0030438S	SS CLAMP ASSEMBLY	1
12	0036170	ROLLER ASSEMBLY	4
13	0036166	ROLLER AXLE BOLT	4
14	HN-27-SS	SS HEX NUT	4
15	0036165	ROLLER	4
16	0036168	BUSHING	8
17	0090302	BEARING	8
18	0036167S	SS ROLLER AXLE	4
19	0095131	GREASE FITTING	4

REPLACEMENT PARTS FOR "BUTCHER BOY" SA30 MEAT SAWS
S/N 101 TO 235 MANUFACTURED BY "LASAR MFG" BEFORE 1988

**DOUBLE ROLLER TABLE ASSEMBLY (SA30 S/N 143-ON)
CONTINUED FROM P9**



ITEM	PART#	DESCRIPTION	QTY	ITEM	PART#	DESCRIPTION	QTY
20	0036173	ROLLER TRACKER OUTER	1	28	0036201	HAND WHEEL	1
21-R	0036172	ROLLER TRACKER INNER RH SAW	1	29A	0030535	SA30 DRT TRACK SUPPORT	1
21-L	0036171	ROLLER TRACKER INNER LH SAW	1	30	0036256	SA36 SS DOOR HALF DRT	1
22-R	0030550	SAW BLADE DOOR RH DRT	1	31	0030481S	DRT SS GUIDE BLOCK ASSEMBLY	1
22-L	0030551	SAW BLADE DOOR LH DRT	1	32	0030383	DRT SS GUIDE BLOCK BRACKET	1
23A	0030671	SA30 RH CABINET COVER DRT	1	33	0030209	CARBONIZED INSERT	1
23A	0030672	SA30 LH CABINET COVER DRT	1	34	0030090	GUIDE BLOCK	2
24	0030669	SS COVER LOCK	1	35	SHCS-19-14-SS	SOCKET HD CAP SCREW	2
25	0036255	SA36 SS DOOR HALF DRT	1	36	0030490S	SS BUMPER BRACKET	1
26	0036178	TRACK CALMP PLATE	1	37	0030482	RUBBER BUMPER	2
27	0036202	HANDLE WHEEL STUD	1				