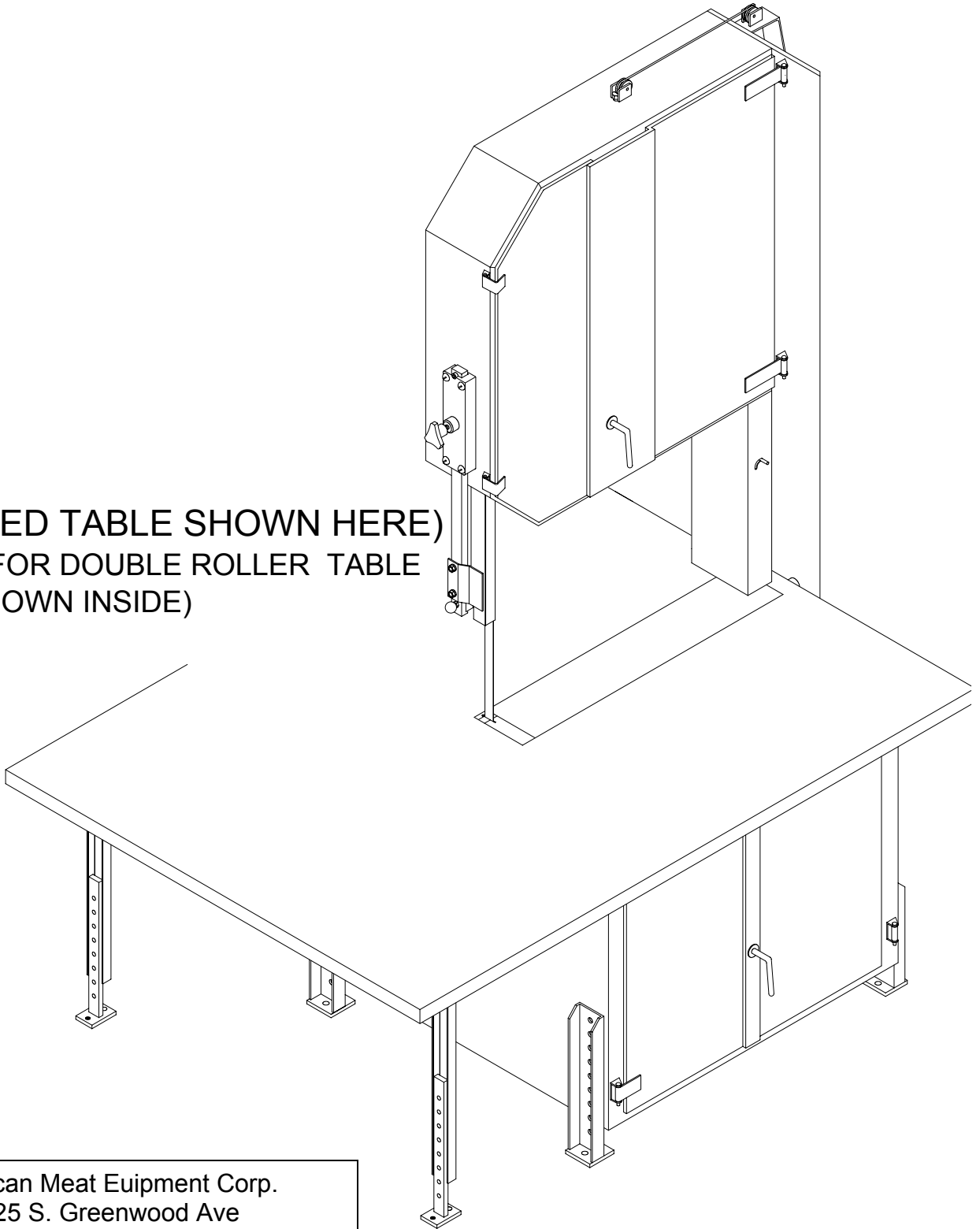


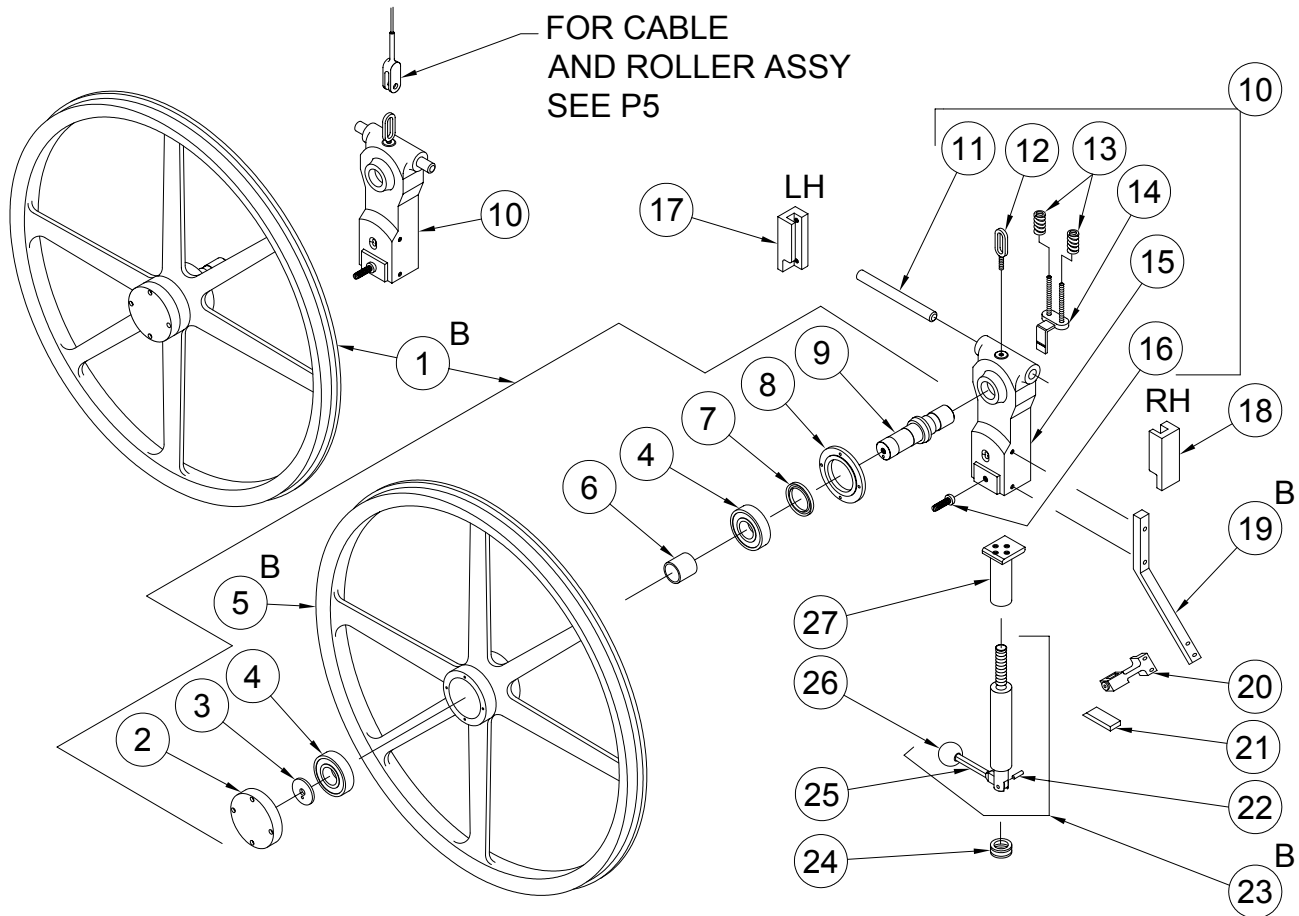
**REPLACEMENT PARTS FOR "BUTCHER BOY" SA36 MEAT SAWS  
S/N 101 TO 325 MANUFACTURED BY "LASAR MFG" BEFORE 1988**

(RH FIXED TABLE SHOWN HERE)  
(PARTS FOR DOUBLE ROLLER TABLE  
ALSO SHOWN INSIDE)



American Meat Equipment Corp.  
1625 S. Greenwood Ave  
Montebello, Ca. 90640  
PH: (323) 724-5348, Fax: (323) 838-4336

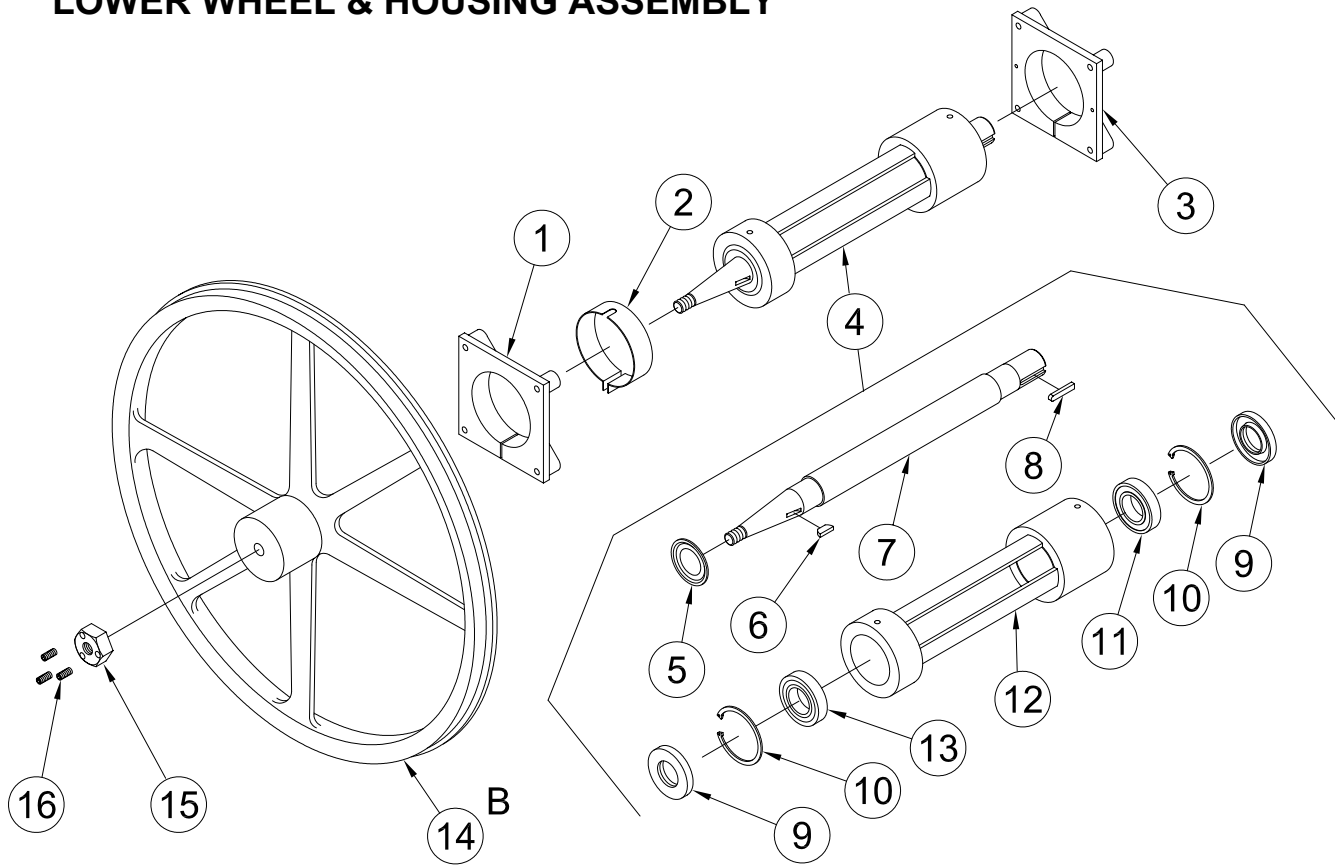
# REPLACEMENT PARTS FOR "BUTCHER BOY" SA36 MEAT SAWS S/N 101 TO 325 MANUFACTURED BY "LASAR MFG" BEFORE 1988



ITEM	PART#	DESCRIPTION	QTY	ITEM	PART#	DESCRIPTION	QTY
1B	0036040	SA36 UPPER WHEEL ASSY	1	15	0030013	HANGER (RH & LH SAWS)	1
2	0030086	WHEEL COVER	1	16	0030065	ADJUSTING SCREW	1
3	0030087S	WASHER	1	17	0030175S	SS GUIDE BLOCK LH	1
4	0090306	BEARING	2	18	0030176S	SS GUIDE BLCOK RH	1
5B	0036041	SA36 UPPER WHEEL	1	19B	0036130	SA36 SCRAPER BAR	1
6	0030091	SPACER	1	20	0030097	SCRAPER HOLDER	1
7	0090417	SEAL	1	21	0030092	SCRAPER	1
8	0030085	SEAL CUP	1	22	DP-04-14	PIN	1
9	0030084	UPPER WHEEL SHAFT	1	23B	0036114S	SA36 SS TENSION SCR. ASSY	1
10	0030066	UPPER WHEEL HANGER ASSY	1	24	0090318	THRUST BEARING	1
11	0030074	HANGER PIN	1	25	0020208S	SS HANDLE	1
12	0030510	EYE BOLT	1	26	0090638	KNOB	1
13	0010082	SPRING	2	27	0030078	TENISON NUT ASSEMBLY	1
14	0030071S	TENSION INDICATOR	1				

REPLACEMENT PARTS FOR "BUTCHER BOY" SA36 MEAT SAWS  
S/N 101 TO 325 MANUFACTURED BY "LASAR MFG" BEFORE 1988

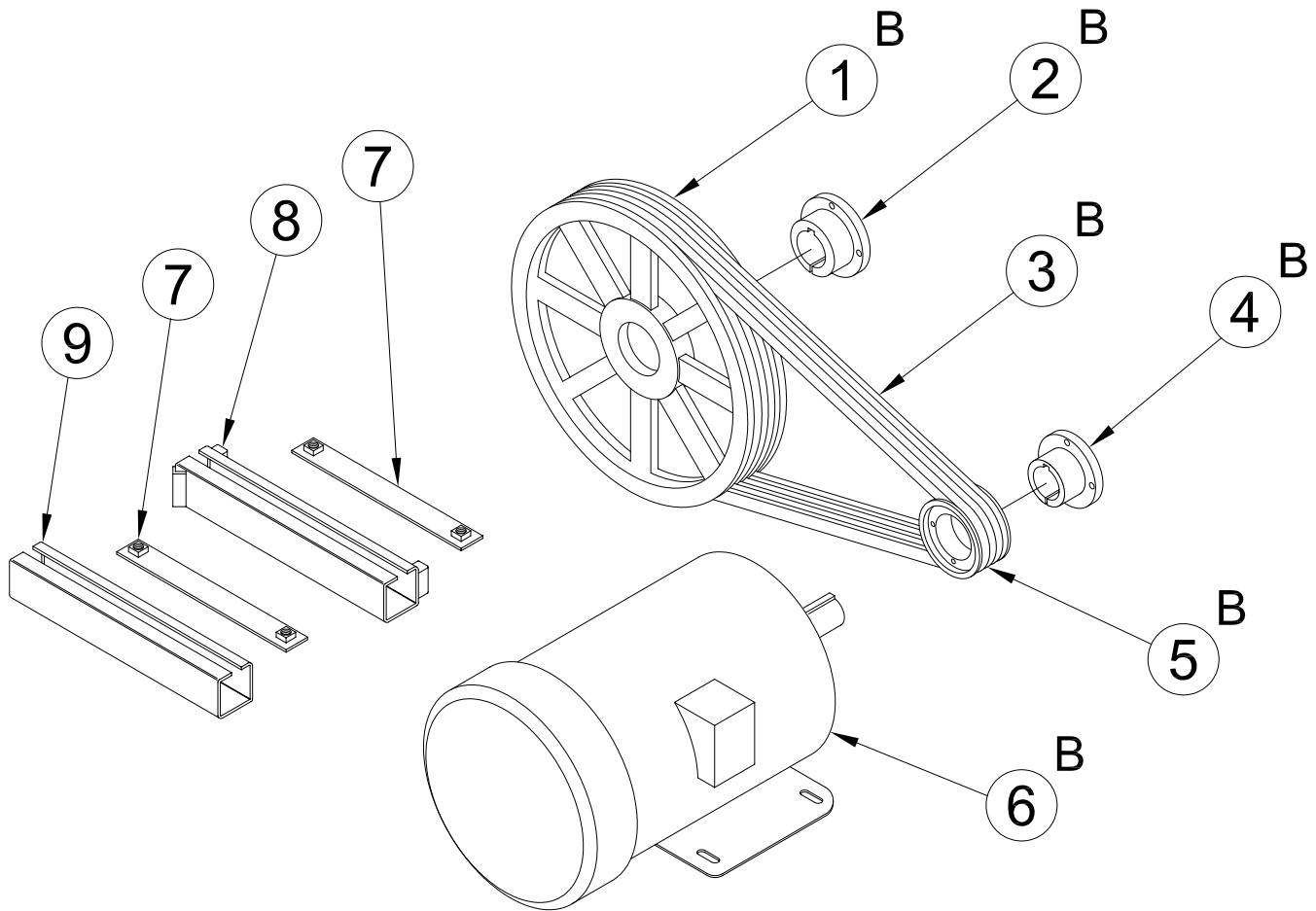
**LOWER WHEEL & HOUSING ASSEMBLY**



ITEM	PART#	DESCRIPTION	QTY
1	0030016	HOUSING SUPPORT WHEEL	1
2	0030512	BEARING COVER	1
3	0030052	HOUSING SUPPORT PULLEY	1
4	0030230	SHAFT & HOUSING ASSEMBLY	1
5	0090420	NILOS RING	1
6	0090649	WOOD RUFF KEY	1
7	0030014	LOWER WHEEL SHAFT	1
8	0059247-7	KEY	1
9	0090437	SEAL	2
10	0090226	RETAING RING	2
11	0090313	BALL BEARING	1
12	0030015	BEARING HOUSING	1
13	0090315	ROLLER BEARING	1
14B	0036046	SA36 LOWER WHEEL	1
15	0036181	WHEEL NUT	1
16	SHSS-28-12-SS	SET SCREW	3

REPLACEMENT PARTS FOR "BUTCHER BOY" SA36 MEAT SAWS  
S/N 101 TO 325 MANUFACTURED BY "LASAR MFG" BEFORE 1988

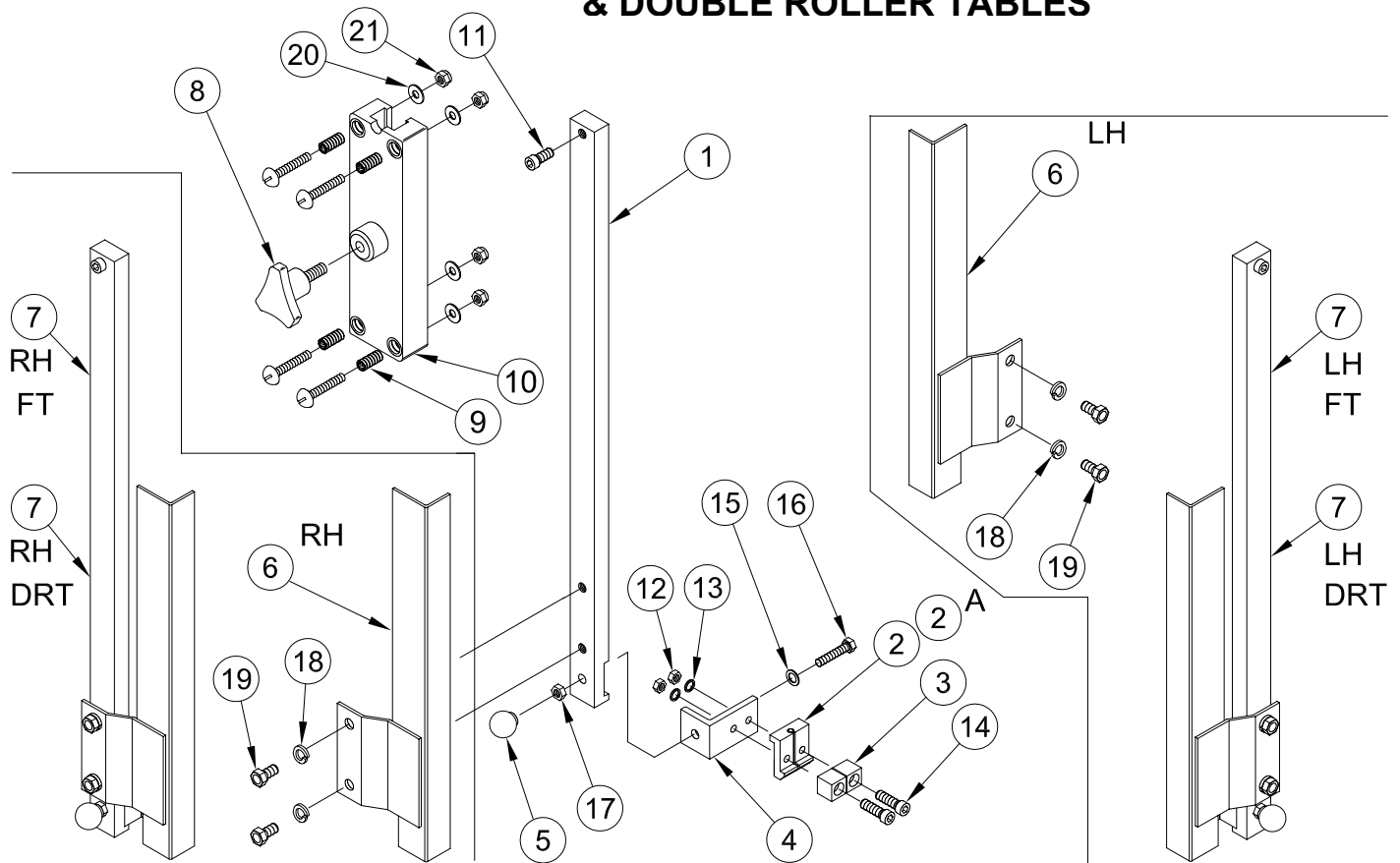
**MOTOR & DRIVE COMPONENTENTS**



ITEM	PART#	DESCRIPTION	QTY
1B	0090159	SA36 DRIVEN PULLEY (PURCHASE W#2B)	1
2B	0090171	SA36 HUB DRIVEN PULLEY (PURCHASE W#1B)	1
3B	0090514	SA36 BELT	4
4B	0090149	SA36 HUB MOTOR PULLEY (PURCHASE W#5B)	1
5B	0090114	SA36 MOTOR PULLEY (PURCHASE W#4B)	1
6B	0092265	SA36 10 HP TEFC MOTOR 230V/460V-3PH-60Hz	1
7	0030226	NUT PLATE	2
8	0030242	MOTOR RAIL INNER	1
9	0030241	MOTRO RAIL OUTER	1

REPLACEMENT PARTS FOR "BUTCHER BOY" SA36 MEAT SAWS  
S/N 101 TO 325 MANUFACTURED BY "LASAR MFG" BEFORE 1988

**BAR GUIDE ASSEMBLY RH & LH FIXED TABLE  
& DOUBLE ROLLER TABLES**

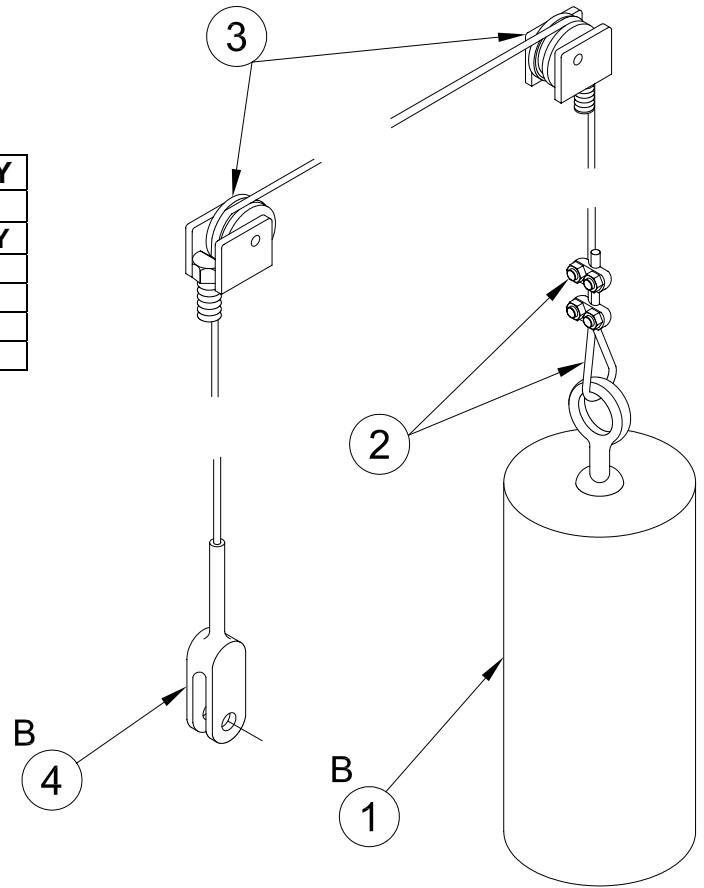


ITEM	PART#	DESCRIPTION	QTY	ITEM	PART#	DESCRIPTION	QTY
1	0030121S	SS BAR GUIDE F.T.	1	9	0030245S	SS ADJUSTING SCREW	4
1	0030251S	SS BAR GUIDE D.R.T.	1	10	0030119	ADJUSTING BAR GUIDE	1
2	0030178	BLOCK SUPPORT W#2A	1	11	SHCS-23-12-SS	SOCKET HD CAP SCREW	1
2A	0030209	CARBONIZED INSERT	1	12	HN-19-SS	HEX NUT SS	2
3	0030090	GUIDE BLOCK	2	13	ISW-04-SS	INT. SHAKE PROOF WASHER	2
4	0030122S	MOUNT GUIDE BLOCK	1	14	SHCS-19-20-SS	SOCKET HD CAP SCREW	2
5	0090638	BALL KNOB	1	15	FW-05-SS	FLAT WASHER SS	1
6-RH	0030249S	RH BLADE GUARD FT OR DRT	1	16	HHCS-22-24-SS	HEX HD CAP SCREW	1
6-LH	0030250S	LH BLADE GUARD FT OR DRT	1	17	HH-22-SS	HEX NUT SS	1
7-RH FT	0030246S	RH BAR GUIDE ASSY FT USES #1 THRU 6-RH	1	18	ISW-06-SS	INT. SHAKE PROOF WASHER	1
7-LH FT	0030247S	LH BAR GUIDE ASSY DRT USES #1 THRU 6-LH	1	19	HHCS-23-10-SS	HEX HD CAP SCREW	2
7-RH DRT	0030447S	RH BAR GUIDE ASSY DRT USES #1 THRU 6-RH	1	20	FW-05-SS	FLAT WASER SS	4
7-LH DRT	0030449S	LH BAR GUIDE ASSY DRT USES #1 THRU 6-LH	1	21	HH-NI-21-SS	NYLOCK HEX NUT SS	4
8	0030258	HAND WHEEL & STUD	1				

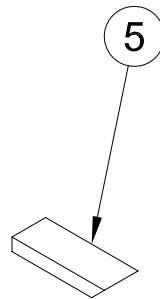
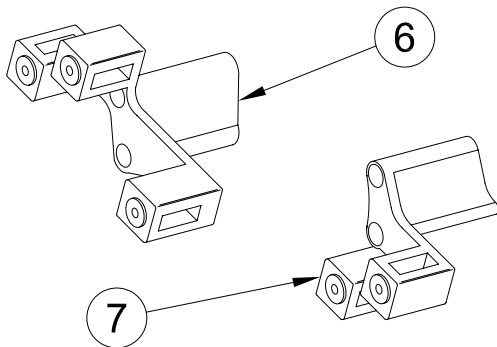
REPLACEMENT PARTS FOR "BUTCHER BOY" SA36 MEAT SAWS  
S/N 101 TO 325 MANUFACTURED BY "LASAR MFG" BEFORE 1988

**COUNTER WEIGHT AND CABLE ASSEMBLY**

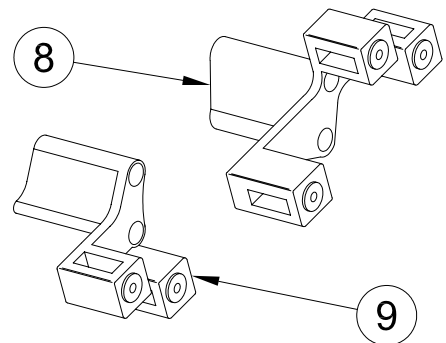
ITEM	PART#	DESCRIPTION	QTY
1B	0036118	SA36 C'WEIGHT	1
2	0095007	CABLE CLIPS & THIMBLE	1
3	0030294	CABLE ROLLER	2
4B	0036116	SA36 CABLE	1



**RH SCRAPER HOLDERS**



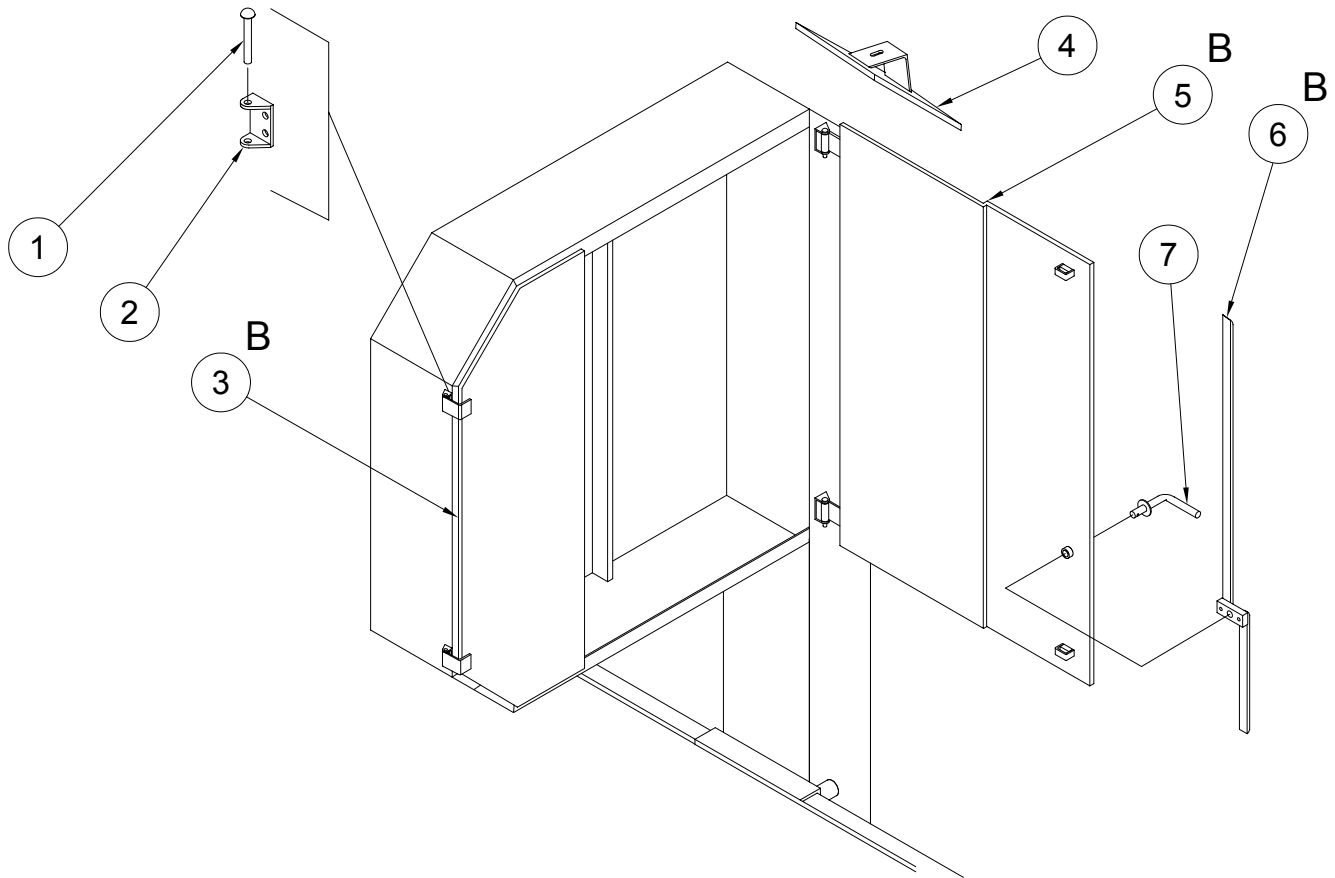
**LH SCRAPER HOLDERS**



ITEM	PART#	DESCRIPTION	QTY
5	0030092	FIBER SCRAPER	5
6	0030095	RH FRONT SCRAPER	1
7	0030096	RH REAR SCRAPER	1
8	0030094	LH FRONT SCRAPER	1
9	0090098	LH REAR SCRAPER	1

REPLACEMENT PARTS FOR "BUTCHER BOY" SA36 MEAT SAWS  
S/N 101 TO 325 MANUFACTURED BY "LASAR MFG" BEFORE 1988

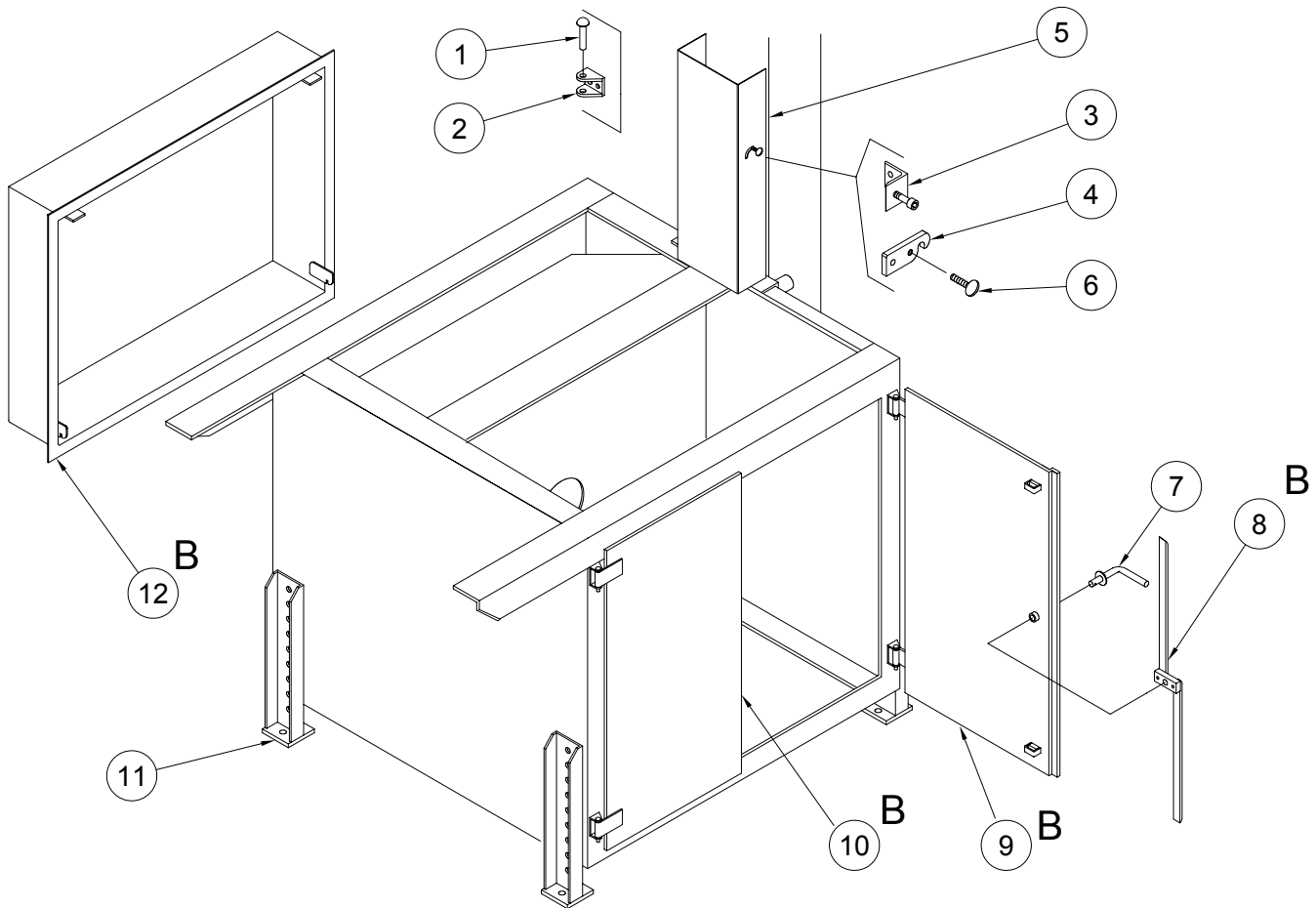
**COVERS & UPPER DOORS W/COMPONENTS**



ITEM	PART#	DESCRIPTION	QTY
1	0030758	SS HINGE PIN-UPPER & LOWER DOOR	8
2	0010566	SS HINGE HALF-UPPER & LOWER DOOR	8
3B	0036259	SA36 SS FRONT UPPER DOOR HALF	1
4	0030616	SS COLUMN COVER	1
5B	0036257	RH SA36 SS REAR UPPER DOOR HALF	1
5B	0036258	LH SA36 SS REAR UPPER DOOR HALF	1
6B	0036286	SA36 UPPER DOOR BOLT ASSEMBLY	1
7	0030628	SS HANDLE	2

REPLACEMENT PARTS FOR "BUTCHER BOY" SA36 MEAT SAWS  
S/N 101 TO 325 MANUFACTURED BY "LASAR MFG" BEFORE 1988

**COVERS, LEGS & LOWER DOORS W/COMPONENTS**



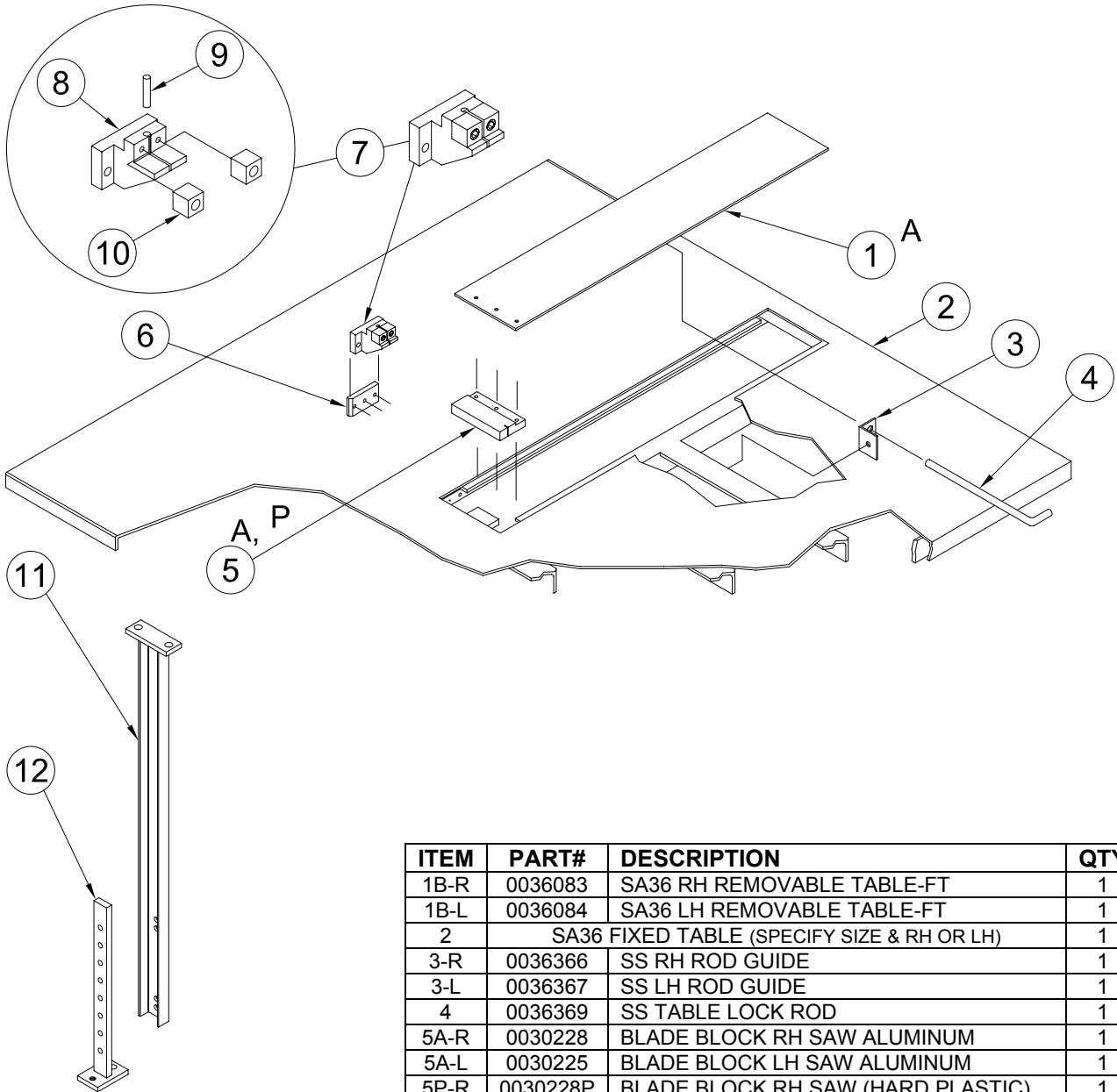
ITEM	PART#	DESCRIPTION	QTY
1	0010571	SS HINGE HALF-SAW BLADE DOOR	2
2	00160672	SS HINGE PIN-SAW BLADE DOOR	2
3	0030619	LATCH ANGLE	1
4	0030618	SS CATCH	1
5-R	0030601	RH SAW BLADE DOOR FIXED TABLE	1
5-L	0030602	LH SAW BLADE DOOR FIXED TABLE	1
6	TS-21-16-SS	THUMB SCREW SS	1
7	0030628	SS HANDLE LOWER DOOR	1
8B	0036289	SA36 LOWER DOOR BOLT ASSEMBLY	1
*9B	0036280	SA36 SS LOWER DOOR HALF	1
*10B	0036285	SA36 SS LOWER DOOR HALF	1
11	0030515	SS LEG CABINET	4
12B	0036254	SA36 SS BELT DRIVE COVER	1

\* SEE PAGE 9 FOR SA36 DOUBLE ROLLER TABLES LOWER DOORS



REPLACEMENT PARTS FOR "BUTCHER BOY" SA36 MEAT SAWS  
S/N 101 TO 325 MANUFACTURED BY "LASAR MFG" BEFORE 1988

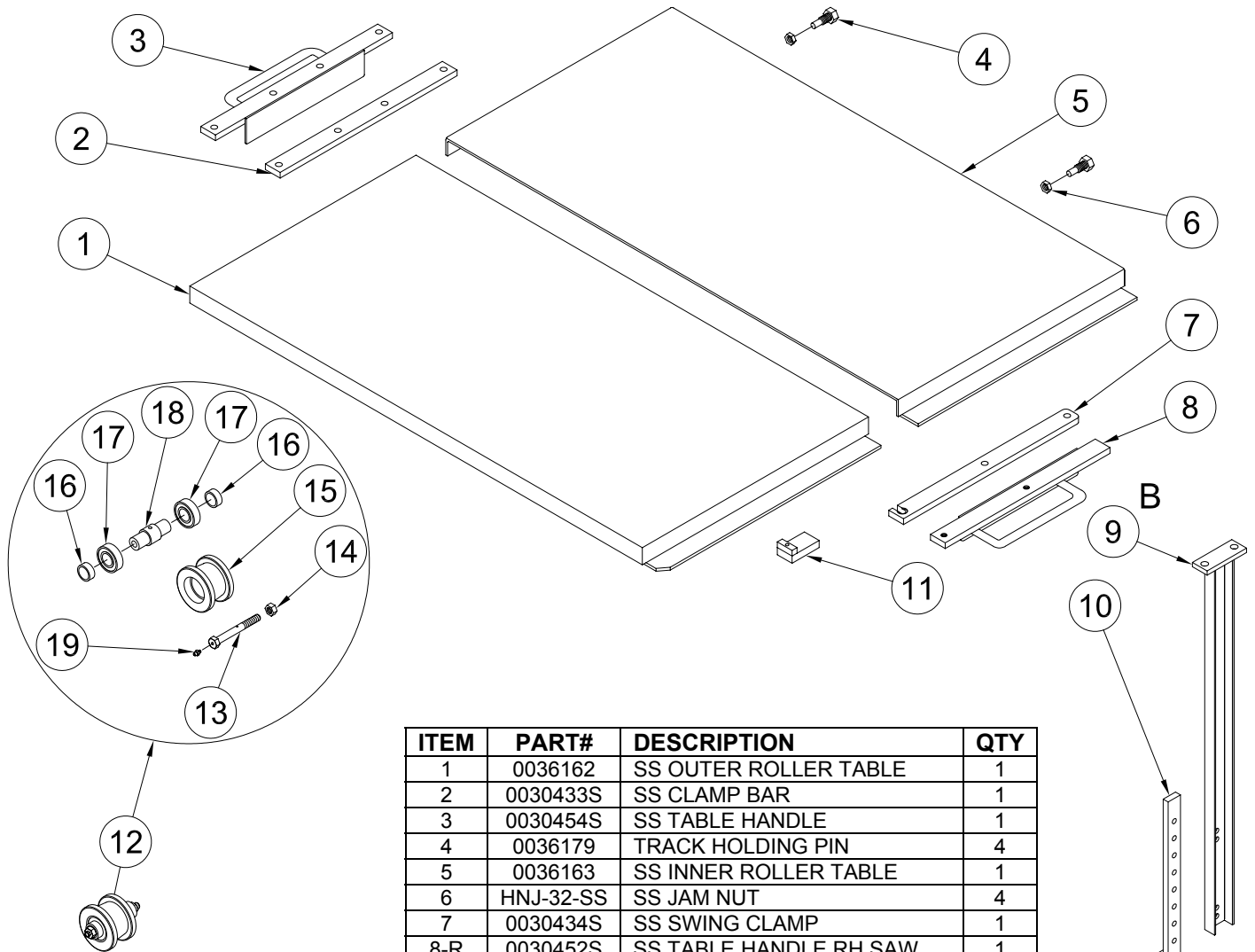
**STANDARD RH & LH BEEF & PORK TABLE ASSEMBLY**



ITEM	PART#	DESCRIPTION	QTY
1B-R	0036083	SA36 RH REMOVABLE TABLE-FT	1
1B-L	0036084	SA36 LH REMOVABLE TABLE-FT	1
2		SA36 FIXED TABLE (SPECIFY SIZE & RH OR LH)	1
3-R	0036366	SS RH ROD GUIDE	1
3-L	0036367	SS LH ROD GUIDE	1
4	0036369	SS TABLE LOCK ROD	1
5A-R	0030228	BLADE BLOCK RH SAW ALUMINUM	1
5A-L	0030225	BLADE BLOCK LH SAW ALUMINUM	1
5P-R	0030228P	BLADE BLOCK RH SAW (HARD PLASTIC)	1
5P-L	0030225P	BLADE BLOCK LH SAW (HARD PLASTIC)	1
6	0030116S	SS LOWER GUIDE PAD	1
7	0030117	LOWER GUIDE BRACKET W/PIN & BLOCKS	1
8	0030134	LOWER GUIDE BRACKET	1
9	0030209	CARBIDE PIN	1
10	0030090	GUIDE BLOCK	2
11	0036132S	SA36 SS TABLE SUPPORT LEG	3
12	0030420S	SS TABLE ADJUSTING LEG	4

REPLACEMENT PARTS FOR "BUTCHER BOY" SA36 MEAT SAWS  
S/N 101 TO 325 MANUFACTURED BY "LASAR MFG" BEFORE 1988

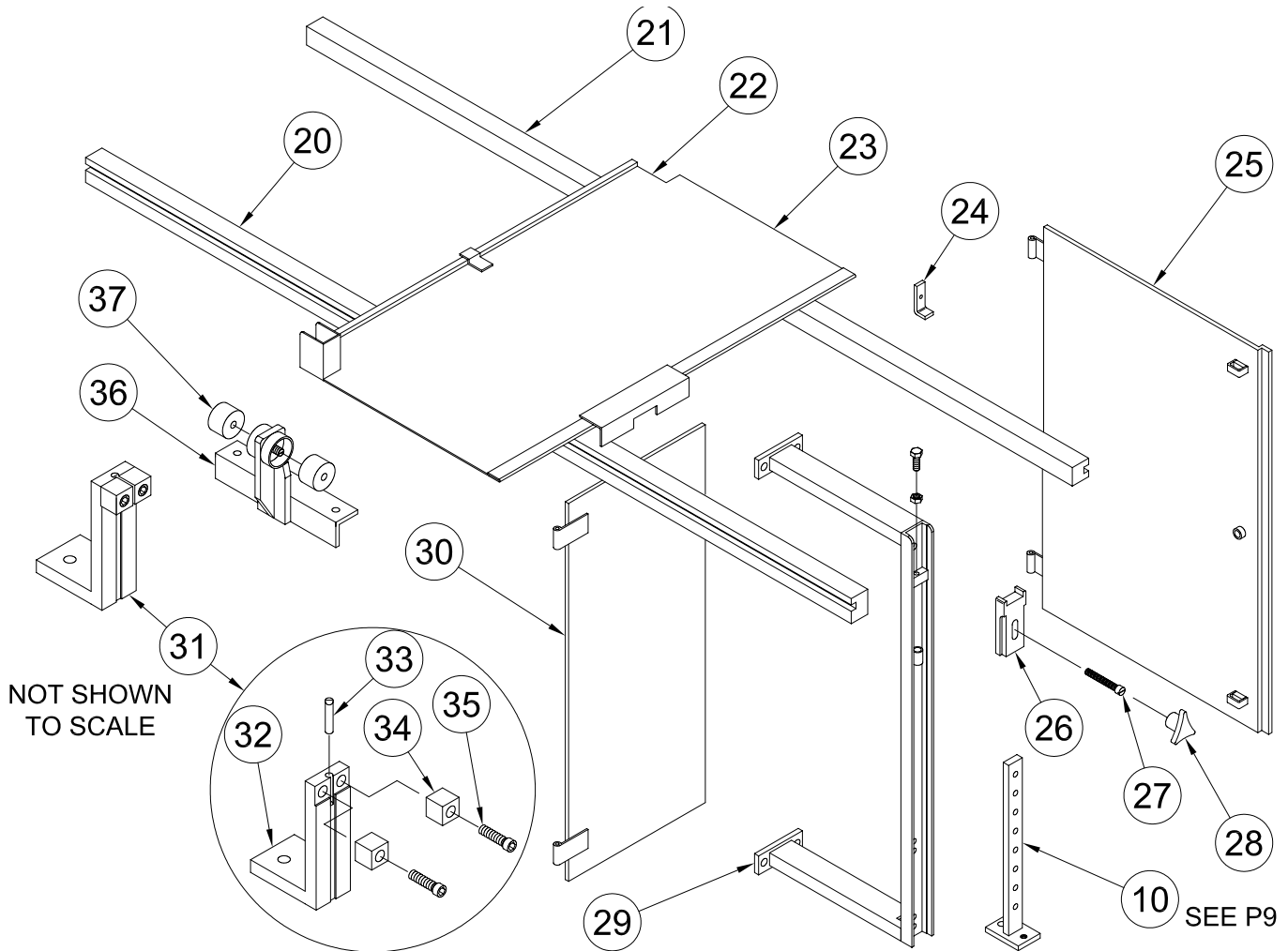
**DOUBLE ROLLER TABLE ASSEMBLY (SA36 S/N 118-325)  
CONTINUED ON P10**



ITEM	PART#	DESCRIPTION	QTY
1	0036162	SS OUTER ROLLER TABLE	1
2	0030433S	SS CLAMP BAR	1
3	0030454S	SS TABLE HANDLE	1
4	0036179	TRACK HOLDING PIN	4
5	0036163	SS INNER ROLLER TABLE	1
6	HNJ-32-SS	SS JAM NUT	4
7	0030434S	SS SWING CLAMP	1
8-R	0030452S	SS TABLE HANDLE RH SAW	1
8-L	0030453S	SS TABLE HANDLE LH SAW	1
9B	0036132S	SA36 SS TABLE SUPPORT LEG	3
10	0030420S	SS TABLE ADJUSTING LEG	4
11	0030438S	SS CLAMP ASSEMBLY	1
12	0036170	ROLLER ASSEMBLY	4
13	0036166	ROLLER AXLE BOLT	4
14	HN-27-SS	SS HEX NUT	4
15	0036165	ROLLER	4
16	0036168	BUSHING	8
17	0090302	BEARING	8
18	0036167S	SS ROLLER AXLE	4
19	0095131	GREASE FITTING	4

REPLACEMENT PARTS FOR "BUTCHER BOY" SA36 MEAT SAWS  
S/N 101 TO 325 MANUFACTURED BY "LASAR MFG" BEFORE 1988

**DOUBLE ROLLER TABLE ASSEMBLY (SA36 S/N 118-325)  
CONTINUED FROM P9**



ITEM	PART#	DESCRIPTION	QTY	ITEM	PART#	DESCRIPTION	QTY
20	0036173	ROLLER TRACKER OUTER	1	28	0036201	HAND WHEEL	1
21-R	0036172	ROLLER TRACKER INNER RH SAW	1	29	0036195	SA36 DRT TRACK SUPPORT	1
21-L	0036171	ROLLER TRACKER INNER LH SAW	1	30	0036256	SA36 SS DOOR HALF DRT	1
22-R	0030550	SAW BLADE DOOR RH DRT	1	31	0030481S	DRT SS GUIDE BLOCK ASSEMBLY	1
22-L	0030551	SAW BLADE DOOR LH DRT	1	32	0030383	DRT SS GUIDE BLOCK BRACKET	1
23-R	0036299	SA36 RH CABINET COVER DRT	1	33	0030209	CARBONIZED INSERT	1
23-L	0036300	SA36 LH CABINET COVER DRT	1	34	0030090	GUIDE BLOCK	2
24	0030669	SS COVER LOCK	1	35	SHCS-19-14-SS	SOCKET HD CAP SCREW	2
25	0036255	SA36 SS DOOR HALF DRT	1	36	0030490S	SS BUMPER BRACKET	1
26	0036178	TRACK CALMP PLATE	1	37	0030482	RUBBER BUMPER	2
27	0036202	HANDLE WHEEL STUD	1				