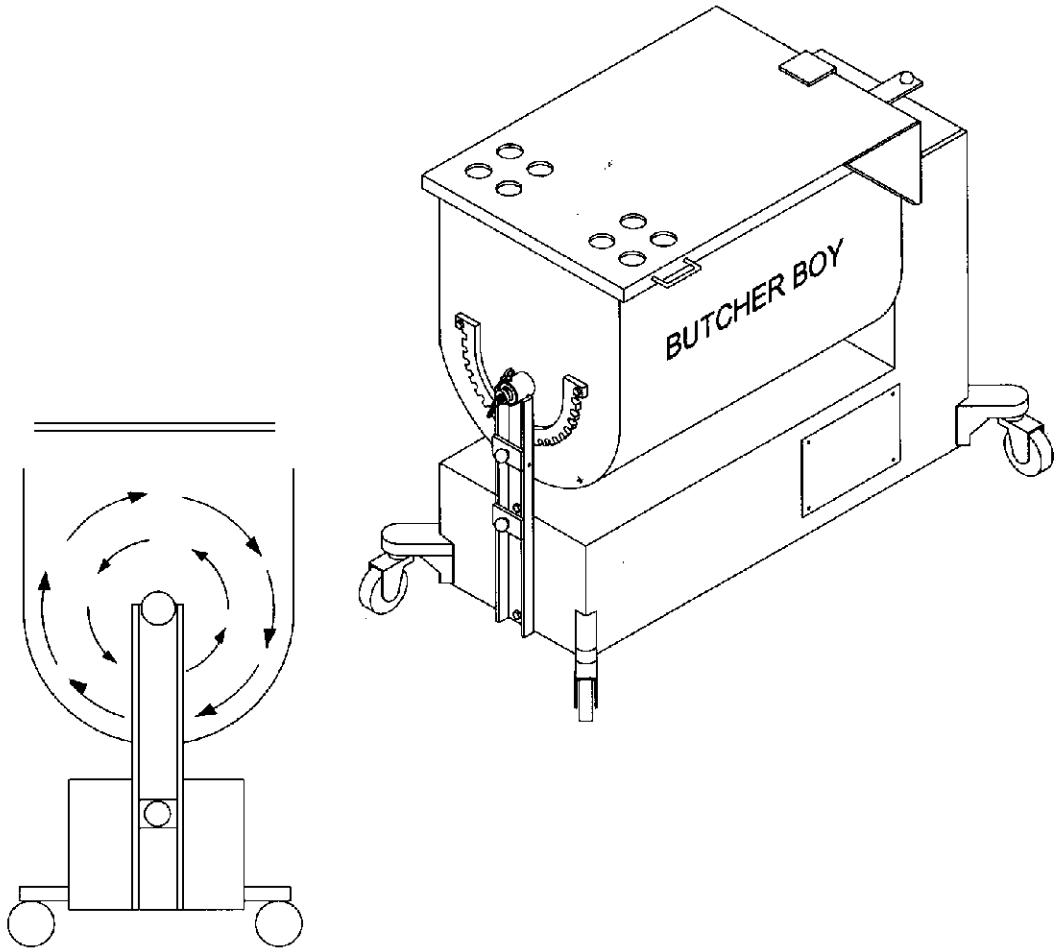
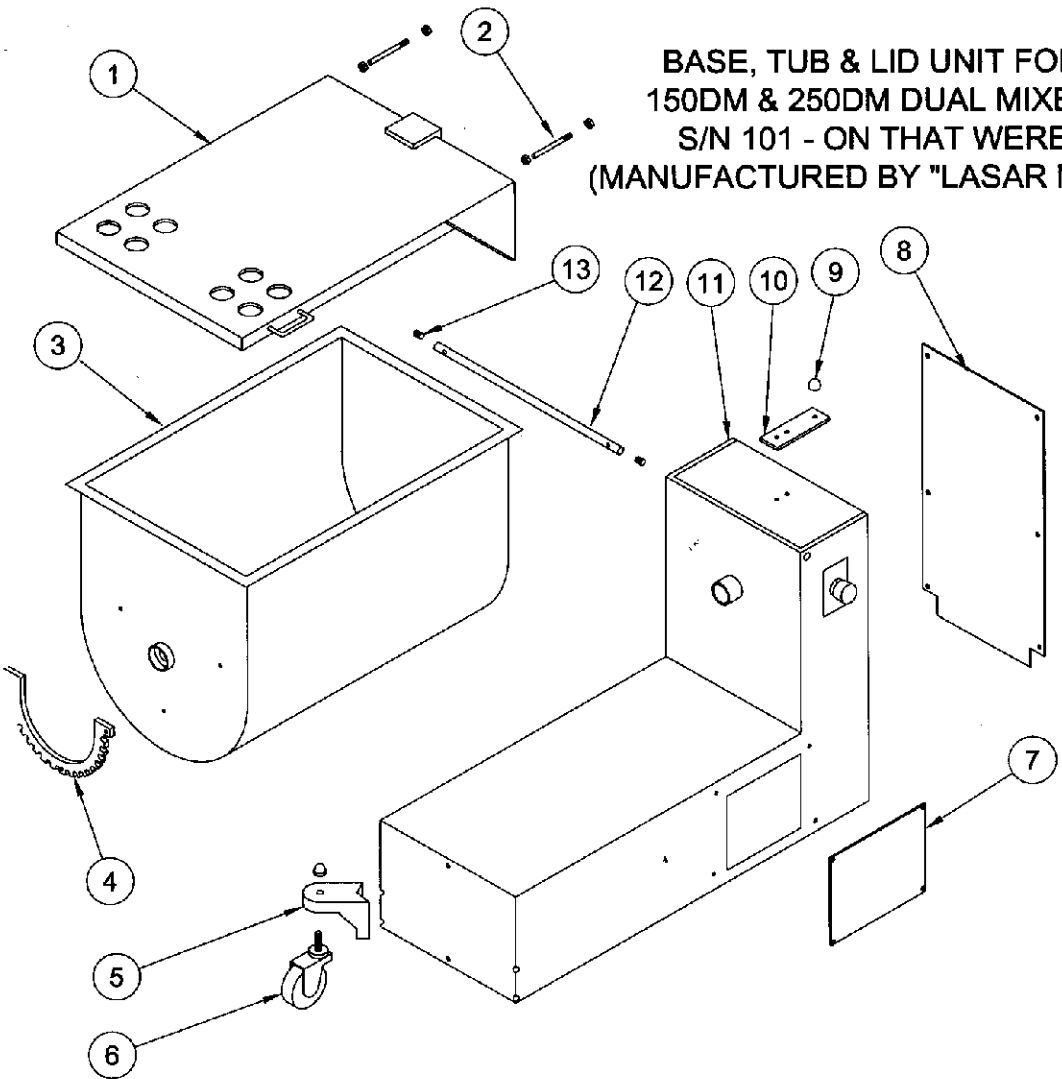


**PARTS MANUAL FOR BUTCHER BOY
DUAL ACTION FLOOR MIXER
150DM & 250DM S/N 101- ON
(THAT WERE MANUFACTURED BY "LASAR MFG")
(SOME PARTS FOR 150DM BEFORE S/N 170 AND
250DM BEFORE S/N 182 MAY NOT BE AVAILABLE. PLEASE
CALL BEFORE ORDERING FOR MORE INFORMATION)**

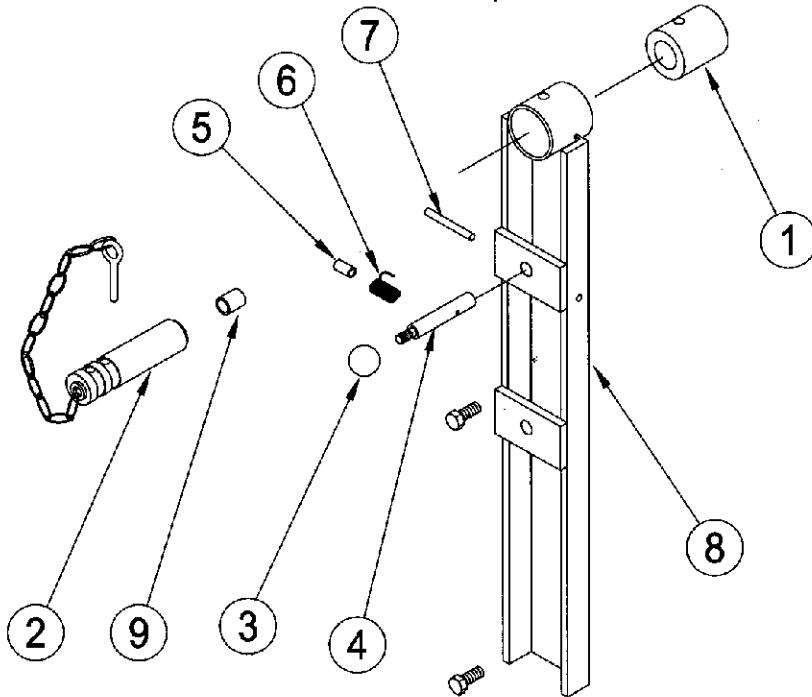


**BASE, TUB & LID UNIT FOR
150DM & 250DM DUAL MIXER
S/N 101 - ON THAT WERE
(MANUFACTURED BY "LASAR MFG.")**



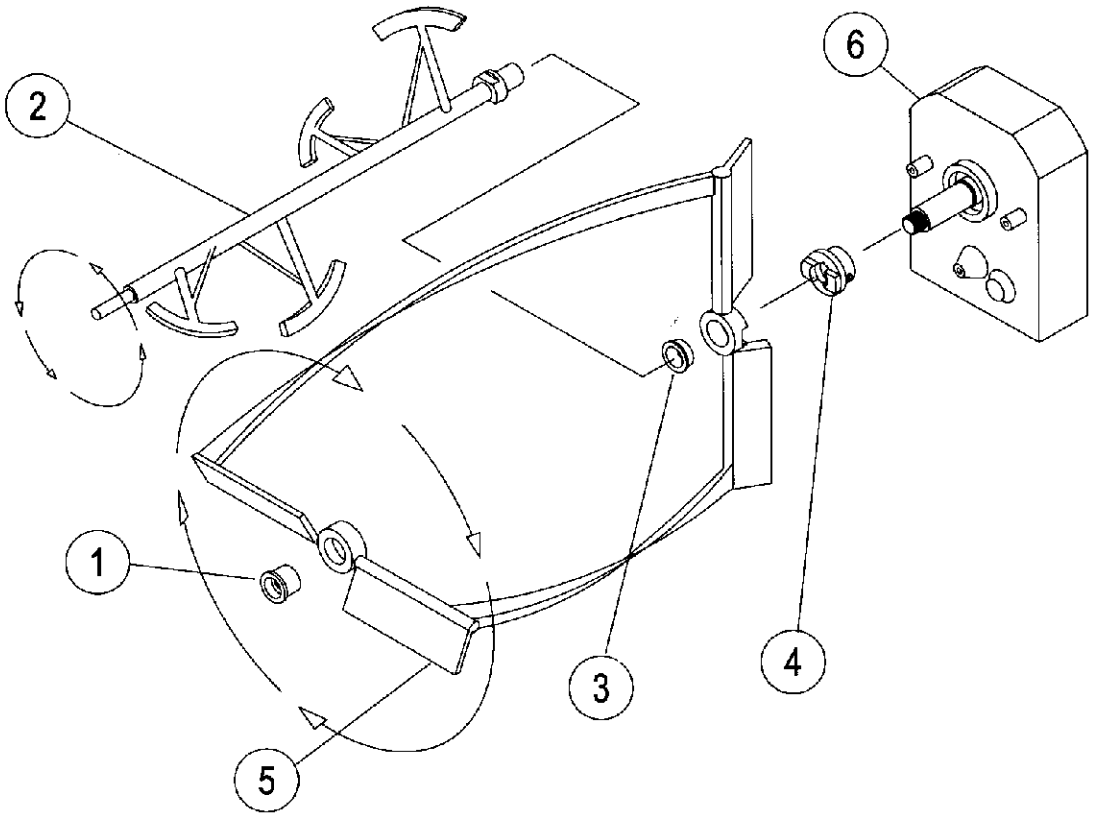
ITEM#	PART#	DESCRIPTION	QTY	ITEM#	PART#	DESCRIPTION	QTY
1	0015270	150M LID ASSY	1	8	0015386	SS REAR COVER	1
1	0025246	250M LID ASSY	1	8	0025280	SS REAR COVER	1
2	0026260S	SS LID STUD	2	9	0090631	RUBBER BUMPER	1
3	0015780	150DM TUB ASSY	1	10	0026266S	BUMPER BRKT-250 ONLY	1
3	0025405	250DM TUB ASSY	1	11	0015706	250M CABINET	1
4	0028057	INDEX BRACKET	1	11	0025251	250M CABINET	1
5	0026134	CASTER BRKT (ALUM)	4	12	0026223	150M PIVOT ROD	1
5	0026134S	SS CASTER BRKT	4	12	0025247	250M PIVOT ROD	1
6	0090636	SWIVEL CASTER	4	13	SHSS-27-08-SS	SOCK HD SET SCR.	2
7	0026255	SIDE PANEL	1				

**FRONT SUPPORT ASSY FOR
150DM & 250DM DUAL MIXER
S/N 101-ON THAT WERE
(MANUFACTURED BY "LASAR MFG.")**



ITEM#	PART#	DESCRIPTION	QTY
1	0026525	BUSHING-FRONT INSERT	1
2	0015785	SHAFT W/BUSHING #9 & PIN ASSY	1
3	0090638	KNOB	1
4	0026367S	TENSION PIN-INDEX	1
5	0026268S	SPACER-SPRING	1
6	0026338	SPRING	1
7	0026265S	SS PIN	1
8	0015344	150M FRONT SUPPORT W/ # 1	1
8	0025316	250M FRONT SUPPORT W/ # 1	1
9	0015774	NYLON BUSHING-FRONT SHAFT	1

**PADDLE ASSY & BUSHING FOR
150DM & 250DM DUAL MIXER
S/N 101 - ON THAT WERE
(MANUFACTURED BY "LASAR MFG.")**



**150DM S/N 101 - 181
250DM S/N 101-169**

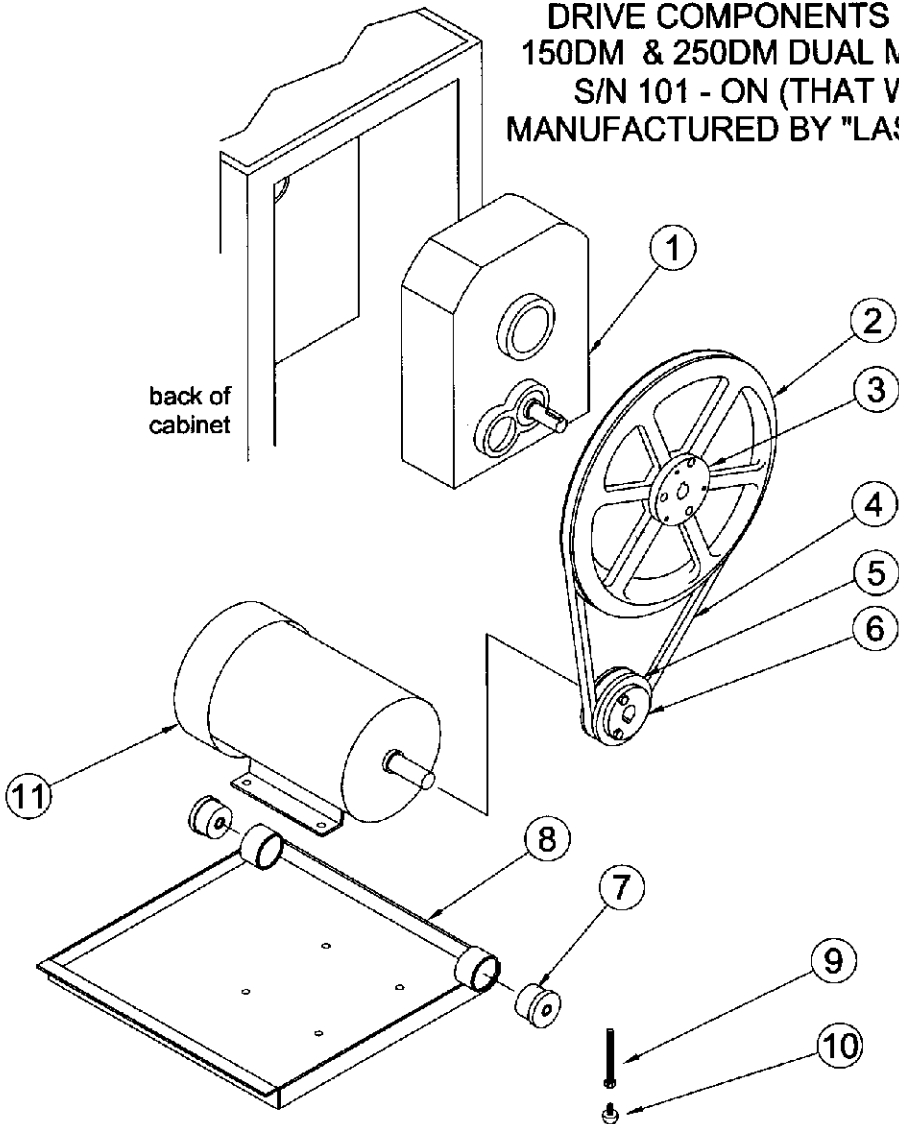
**150DM S/N 182 - ON
250DM S/N 170 - ON**

ITEM#	PART#	DESCRIPTION	QTY
1	0015733	FRONT BUSHING	1
2	0015760	150DM INNER RIBBON PADDLE	1
2	0025420	250DM INNER RIBBON PADDLE	1
3	0015773	REAR NYLON BUSHING	1
4	0015756	DRIVE COUPLING	1
5	0015770	150DM OUTER RIBBON	1
5	0025410	250DM OUTER RIBBON	1
6	G.B. ASSY (SEE PARTS ON PAGES 5)		1

ITEM#	PART#	DESCRIPTION	QTY
1	0015733	FRONT BUSHING	1
2	0015810	150DM INNER RIBBON PADDLE	1
2	0025445	250DM INNER RIBBON PADDLE	1
3	0025448	REAR NYLON BUSHING	1
4	0025447	DRIVE COUPLING	1
5	0015805	150DM OUTER RIBBON	1
5	0025450	250DM OUTER RIBBON	1
6	G.B. ASSY (SEE PARTS ON PAGES 5A)		
7	0015840	150DM N/S PADDLES W/ BUSH.& COUPLING	1
7	0025460	250DM N/S PADDLES W/BUSH.& COUPLING	1

(ITEM 6 IS NOT INCLUDED IN ITEM 7 ASSY)

DRIVE COMPONENTS FOR
150DM & 250DM DUAL MIXERS
S/N 101 - ON (THAT WERE
MANUFACTURED BY "LASAR MFG.")

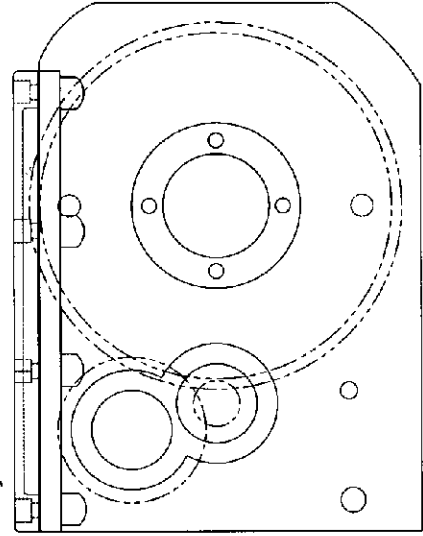
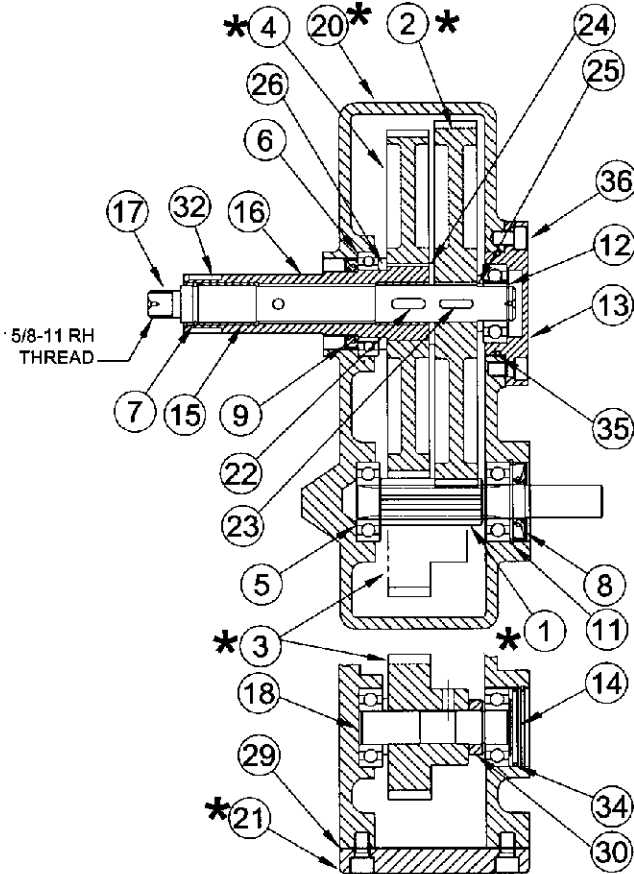


ITEM#	PART#	DESCRIPTION	QTY
1		G.B. ASSY (SEE PARTS ON PAGES 4 & 4A	1
2	0090173	150DM DRIVEN PULLEY	1
2	0090199-110	250DM DRIVEN PULLEY	1
3	0090147	150DM HUB-DRIVEN PULLEY	1
3	0090199-111	250DM HUB-DRIVEN PULLEY	1
4	0090518	150DM BELT	1
4	0090515	250DM BELT	1
5	0090199-109	150DM DRIVE PULLEY	1
5	0090145	250DM DRIVE PULLEY	1

ITEM#	PART#	DESCRIPTION	QTY
6	0090148	150DM HUB DRIVE PULLEY	1
6	0090189	250DM HUB DRIVE PULLEY	1
7	0010118	RUBBER MOTOR MOUNT	1
8	0015237S	MOTOR PLATE	1
8	0025262S	MOTOR PLATE	1
9	0026262S	BELT TENSION SCREW	1
10	0090631	RUBBER BUMPER	1
11		150M-1HP MOTOR (SPECIFY VOLTS, PHASE & FR)	
11		250M-2HP MOTOR (SPECIFY VOLTS, PHASE & FR)	

GEAR BOX ASSY P/N 0015710
(COVER ON SIDE OF HOUSING)
FOR 150DM & 250DM DUAL MIXER
150DM TO S/N 169 & 250DM TO S/N 181
(THAT WERE MANUFACTURED BY "LASAR MFG.")

PARTS MARK * ARE NOT AVAILABLE AND WILL REQUIRE REPLACEMENT OF NEW GEAR BOX 0015710A ALONG WITH INNER AND OUTER PADDLES ASSY (SEE ITEM 7 P 3)



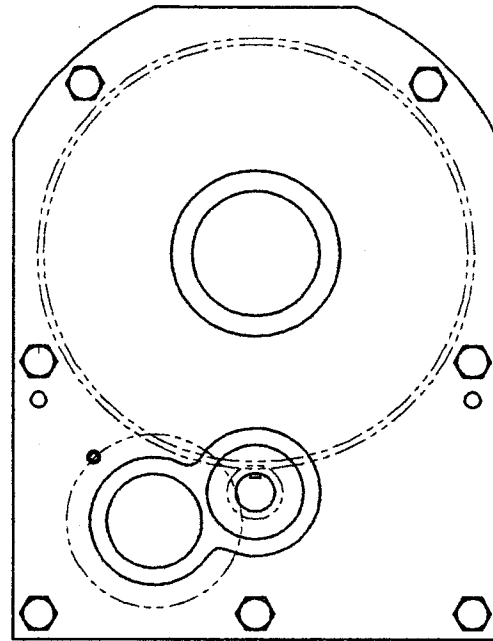
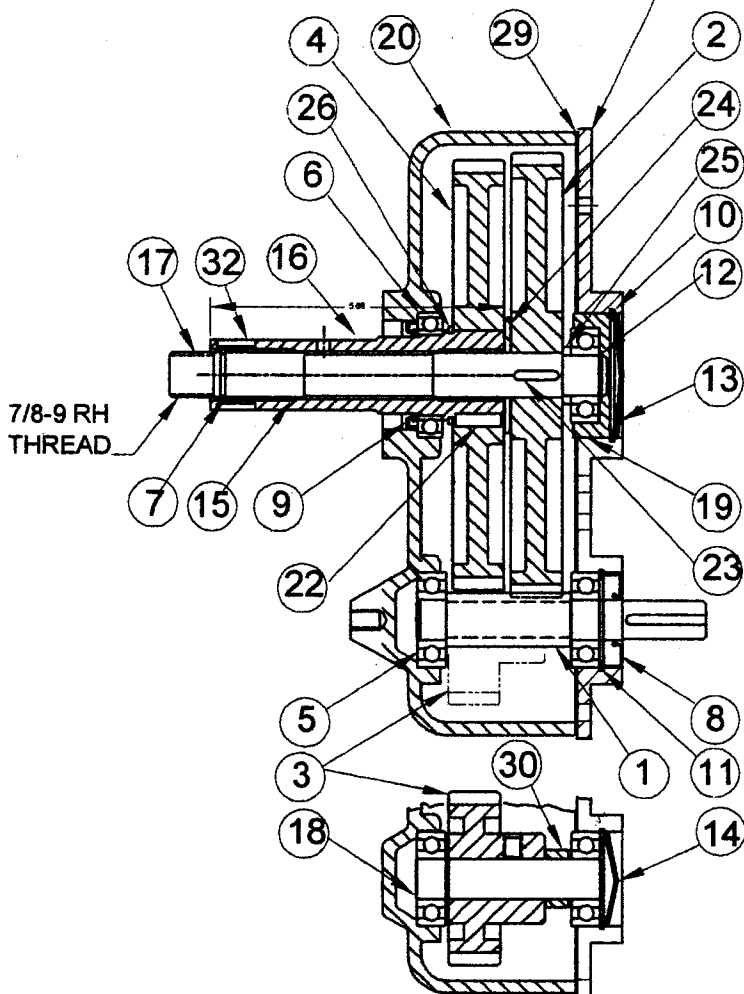
ITEM#	PART#	DESCRIPTION	QTY
* 1	0015824	PINION	1
* 2	0015826	INNER GEAR	1
* 3	0015823	DIRECTION GEAR	1
* 4	0015827	OUTER GEAR	1
5	0090307	BEARING	5
6	0090342	BEARING	1
7	0090258	O-RING	1
8	0090410	SEAL	1
9	0090462	SEAL	1
11	0090234	RET. RING	2
12	0090261	RET. RING	2
13	0015828	PLUG	1

ITEM#	PART#	DESCRIPTION	QTY
14	0015829	PLUG	1
15	0090756	BUSHING	2
16	0015851	OUTER SHAFT	1
17	0015759	INNER SHAFT	1
18	0015821	DIRECTION AXLE	1
20	0015713 O/S	HOUSING	1
* 21	0015714 O/S	COVER	1
22	0059398-4	KEY	1
23	0059397-5	KEY	1
24	0015817	SPACER	1
25	0015811	SPACER	1
26	0015819	RET. RING	1
27	HHCS-21-12-SS	SCREW	7
28	DP-05-16	PIN	2
29	0015812	GASKET	1
30	0015822	SPACER	1
31	0090630	PIPE PLUG	1
32			
33	0090634	PIPE PLUG	
34	0015831	O-RING	
35	0015832	O-RING	
35			

GEAR BOX ASSY P/N 0015710A
 (COVER ON REAR OF HOUSING)
FOR 150DM & 250DM DUAL MIXER
 150DM FROM S/N 182-ON & 250DM FROM S/N 170-ON
 (THAT WERE MANUFACTURED BY "LASAR MFG.")

PARTS MARK ARE NOT AVAILABLE AND WILL REQUIRE REPLACEMENT OF NEW GEAR BOX 0015710A ALONG WITH INNER AND OUTER PADDLES ASSY (SEE ITEM 7 P 3)

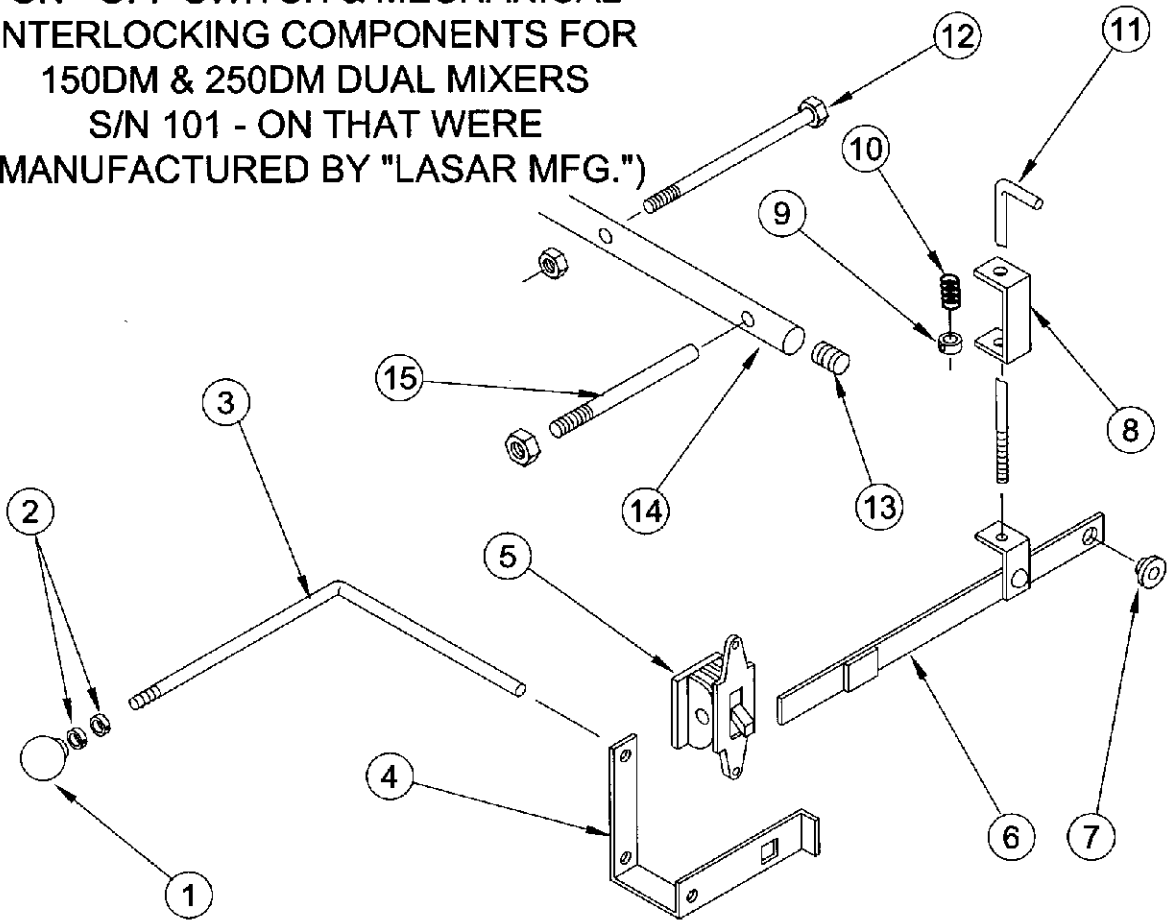
(COVER IN REAR)



ITEM#	PART#	DESCRIPTION	QTY
1	0015724	PINION	1
2	0015726	INNER GEAR	1
3	0015723	DIRECTION GEAR	1
4	0015727	OUTER GEAR	1
5	0090307	BEARING	5
6	0090342	BEARING	1
7	0090258	O-RING	1
8	0090410	SEAL	1
9	0090464	SEAL	1
10	0090260	RET. RING	1
11	0090234	RET. RING	2
12	0090261	RET. RING	2
13	0015728	PLUG	1
14	0015729	PLUG	1
15	0090756	BUSHING	2
16	0015751	OUTER SHAFT	1

ITEM#	PART#	DESCRIPTION	QTY
17	0015749	INNER SHAFT	1
18	0015721	DIRECTION AXLE	1
19	0015716	SPACER	1
20	0015713	HOUSING	1
21	0015714	COVER	1
22	0059398-4	KEY	1
23	0059397-5	KEY	1
24	0015717	SPACER	1
25	0015718	SPACER	1
26	0090235	RET. RING	1
27	HHCS-21-12-SS	SCREW	7
28	DP-05-16	PIN	2
29	0015712	GASKET	1
30	0015722	SPACER	1
31	0090630	PIPE PLUG	1
32	0059398-2	KEY	2

**ON - OFF SWITCH & MECHANICAL
INTERLOCKING COMPONENTS FOR
150DM & 250DM DUAL MIXERS
S/N 101 - ON THAT WERE
(MANUFACTURED BY "LASAR MFG.")**



ITEM#	PART#	DESCRIPTION	QTY
1	0090638	KNOB	1
2	0090606S	COLLAR	2
3	0015294S	150M SWITCH PULL ROD	1
3	0025249S	250M SWITCH PULL ROD	1
4	0026355S	SWITCH LEVER START/STOP	1
5	0093020	SINGLE PHASE SWITCH	1
5	0093021	THREE PHASE SWITCH	1
6	0026350S	SWITCH LEVER FOR LID	1
7	0026363S	SPACER BUSHING	1
8	0026362S	SWITCH ROD BRACKET	1

ITEM#	PART#	DESCRIPTION	QTY
9	0090652S	COLLAR	1
10	0026263S	SPRING	1
11	0015312S	150M SAFETY LINK ASSY	1
11	0025248S	250M SAFETY LINK ASSY	1
12	0015356S	150M THREADED ROD	1
12	0025356S	250M THREADED ROD	1
13	SHSS-27-12-SS	SET SCREW	2
14	0026223S	150M LID PIVOT ROD	1
14	0025247	250M LID PIVOT ROD	1
15	0026260S	LID STUD	2