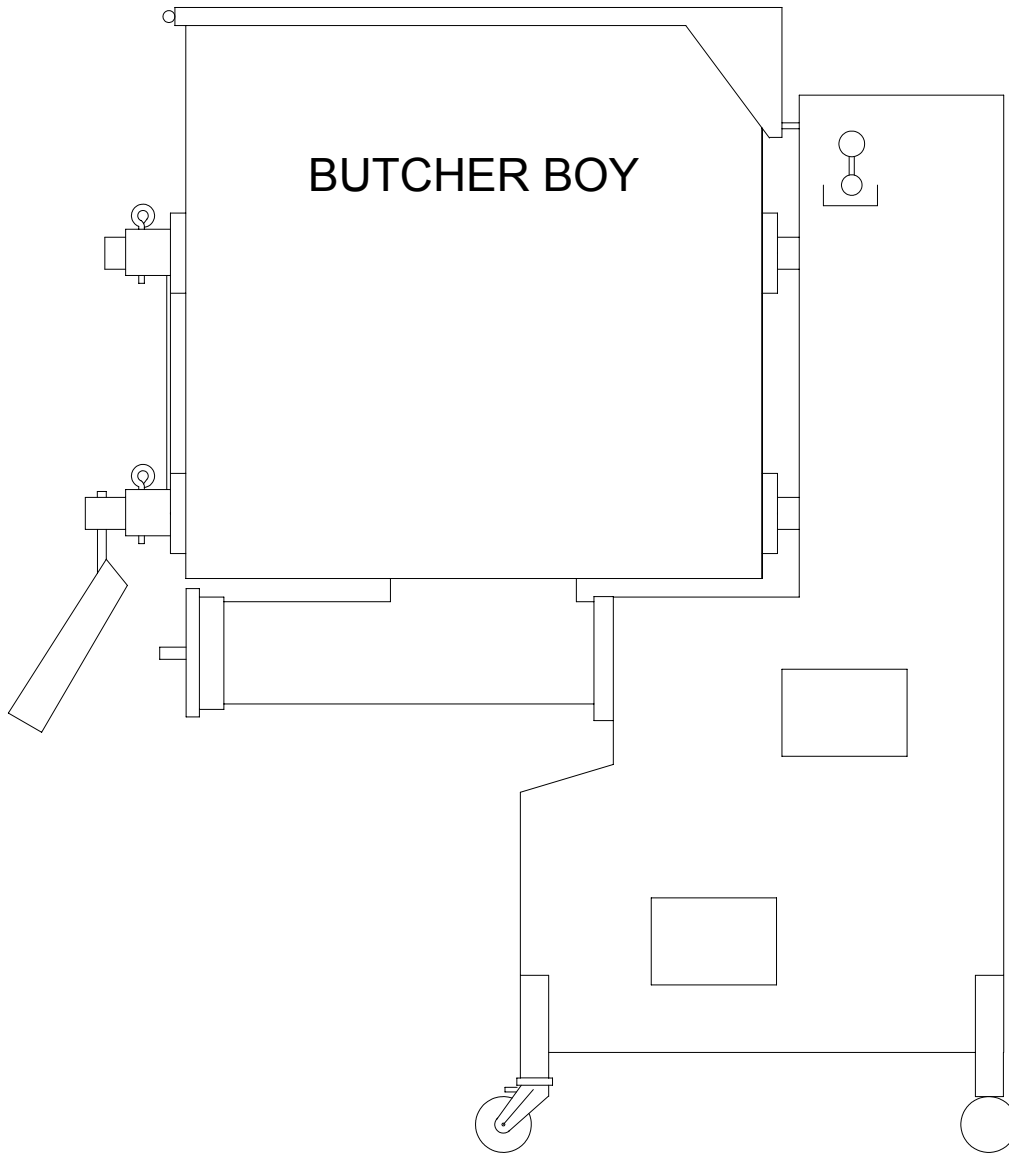


# 150/42 MIXER GRINDER

REPLACEMENT PARTS MANUAL FOR  
150/42 MIXER-GRINDER  
S/N 201 TO 975

(THAT WERE MANUFACTURED BY "LASAR MFG." UNTILL 1988)  
AMERICAN MEAT EQUIPMENT CORP. HAD NO CONNECTION TO THE  
DESIGN, MANUFACTURING OR SALES OF THESE MACHINES



MADE IN USA

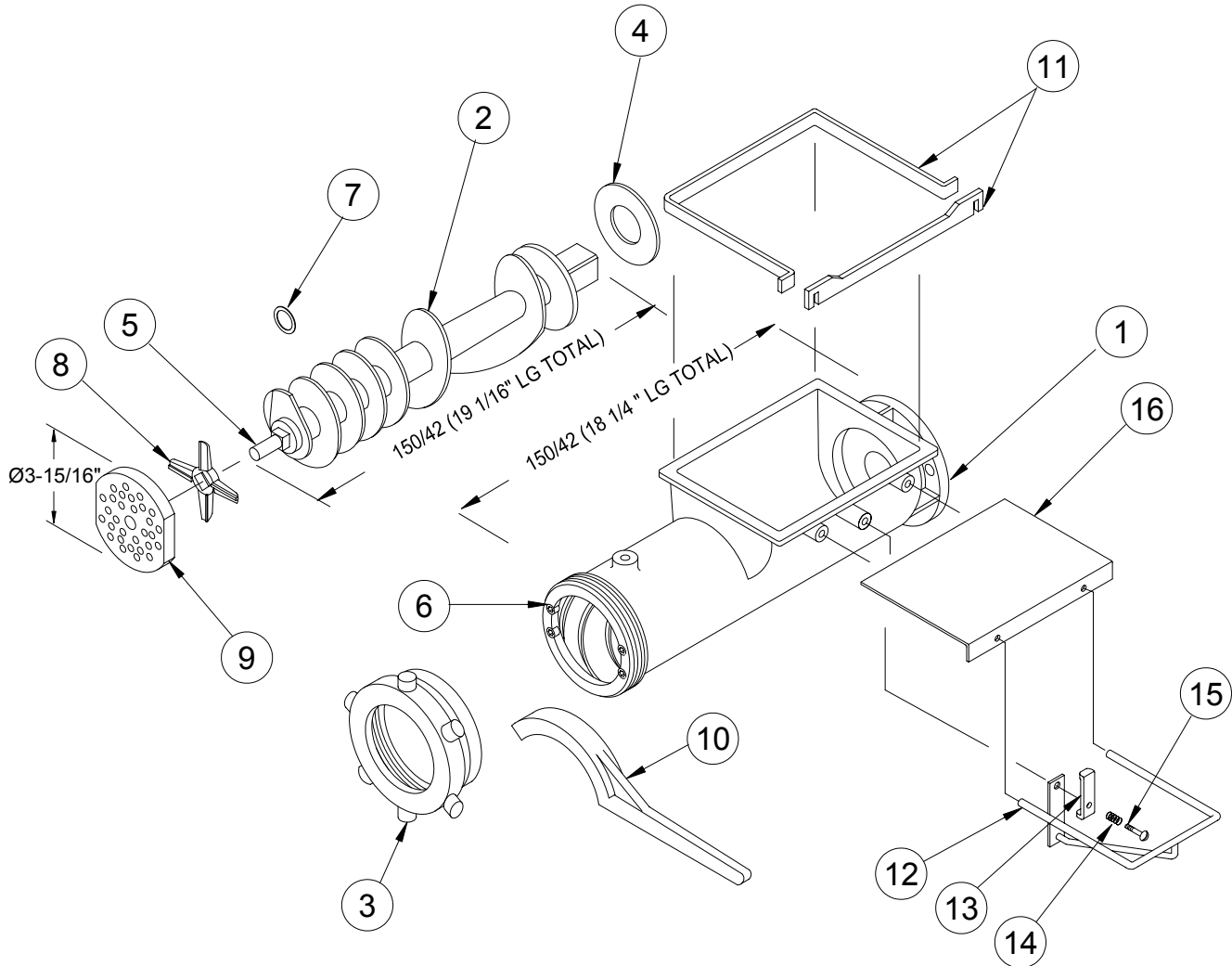
## AMERICAN MEAT EQUIPMENT CORP.

1625 S. GREENWOOD AVE  
MONTEBELLO, CA. 90640  
PHONE: (323) 724-5348  
FAX: (323) 838-4336

**REPLACEMENT PARTS FOR M/G'S 150/42 S/N 201-975**  
 (THAT WERE MANUFACTURED BY "LASAR MFG" BEFORE 1988)

**CUTTING GROUP & COMPONENTS**

CUTTING GROUP & COMPONENTS

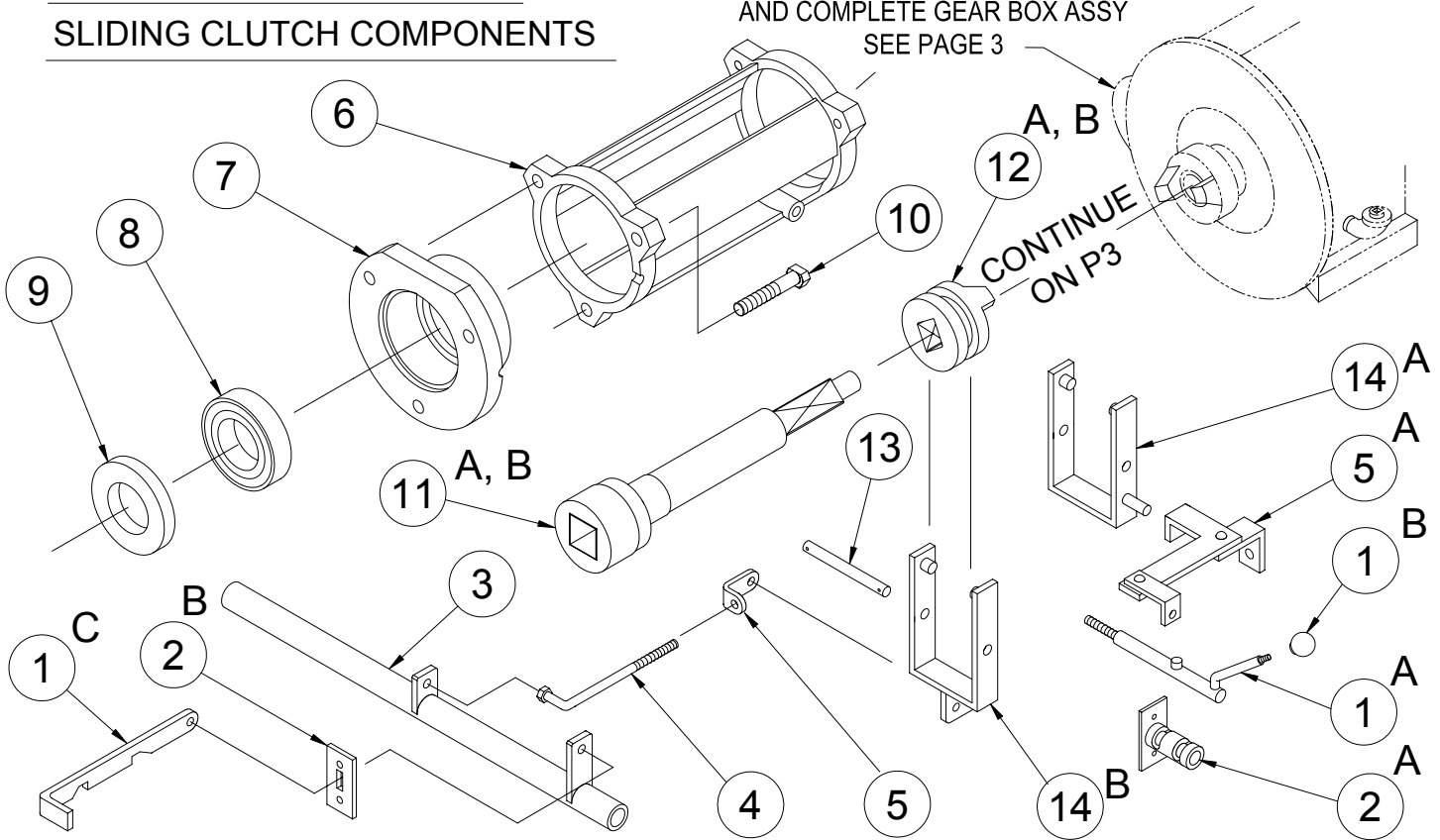


ITEM#	PART#	DESCRIPTION	QTY	ITEM#	PART#	DESCRIPTION	QTY
1	0044070	150/42 BOWL (PLATED)	1	9C	0090920	42-1/4" HOLE PLATE	1
2	0044511	150/42 FEED SCREW ASSEMBLY (PLATED)	1	9D	0090923	42-3/8" HOLE PLATE	1
3	0044212	42 KNIFE & PLATE RING (PLATED)	1	10	0059188	WRENCH ALUMINUM	1
4	0059273	42 SPACER RING (BOWL & F.S.)	A/R	10SS	0043620	WRENCH SS	1
5	0021038	42 FEED SCREW STUD	1	11	0044270	150/42 SS YOKE & SUPPORT	1
6	0059232	SCREW 42 PLATE HOLDER	4	12	0044161	150/42 GUIDE ROD	1
7	0095113	42 SHIM FEED SCREW STUD	1	13	0045107	DOOR LOCK	1
8	00909251	42 KNIFE (INVESTMENT)	1	14	0010314	SPRING	1
8	0090925P	42 KNIFE (PREMIUM)	1	15	RHSS-21-24-SS	SCREW	1
9A	0090921	42-1/8" HOLE PLATE	1	16	0044234	150/42 SHUT OFF DOOR	1
9B	00909922	42-3/16" HOLE	1				

# REPLACEMENT PARTS FOR M/G'S 150/42 S/N 201-975 (THAT WERE MANUFACTURED BY "LASAR MFG" BEFORE 1988)

## GEAR BOX EXTENSION AND SLIDING CLUTCH COMPONENTS

FOR ADDITION COMPONENTS  
AND COMPLETE GEAR BOX ASSY  
SEE PAGE 3



ITEM#	PART#	DESCRIPTION	QTY.	150/42
1A	0044665	CLUTCH BOLT	1	S/N 201-307
1B	0090638	KNOB	1	
1C	0044764	L.H. CLUTCH LEVER (SHOWN)	1	S/N 308-ON
1C	0044764	R.H. CLUTCH LEVER	1	
2A	0044670	CLUTCH BOLT SLEEVE	1	S/N 201-307
2B	0044762	CLUTCH LEVER PLATE	1	S/N 308-ON
3	0044755	CLUTCH ROD	1	
4	0044754	CLUTCH LEVER BOLT	1	S/N 201-307
5A	0044655	CLUTCH LEVER	1	
5B	0044753	CLUTCH BRACKET	1	S/N 308-ON
6	0044604	GEAR BOB SPACER	1	S/N 201-ON
7	0044574	THRUST BEARING HOUSING	1	
8	0090303	THRUST BEARING	1	S/N 201-ON
9	0090421	SEAL	1	
10	0045622	STUD	3	S/N 201-269
11A	0044572	DRIVE SHAFT	1	
12A	0045085	SLIDING CLUTCH	1	S/N 201-269
13	0044569	PIVOT PIN	1	S/N 201-ON
14A	0044598	CLUTCH FORK	1	S/N 201-307
14B	0044717	CLUTCH FORK	1	S/N 308-ON

# REPLACEMENT PARTS FOR M/G'S 150/42 S/N 201-975

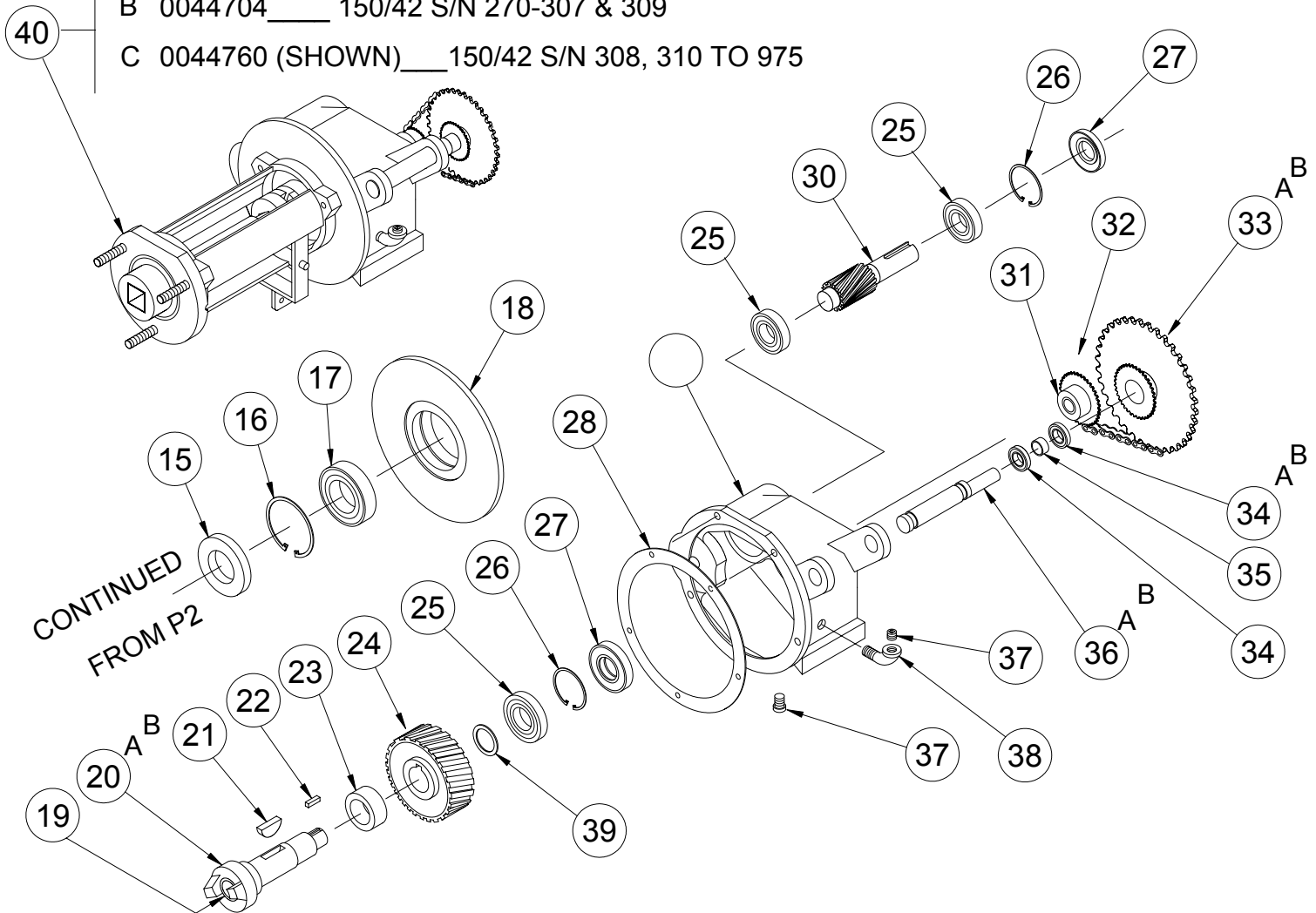
(THAT WERE MANUFACTURED BY "LASAR MFG" BEFORE 1988)

GEAR BOX ASSY AND COMPONENTS  
CONTINUED FROM PAGE 2

A 0044570 \_\_\_ 150/42 S/N 201-269

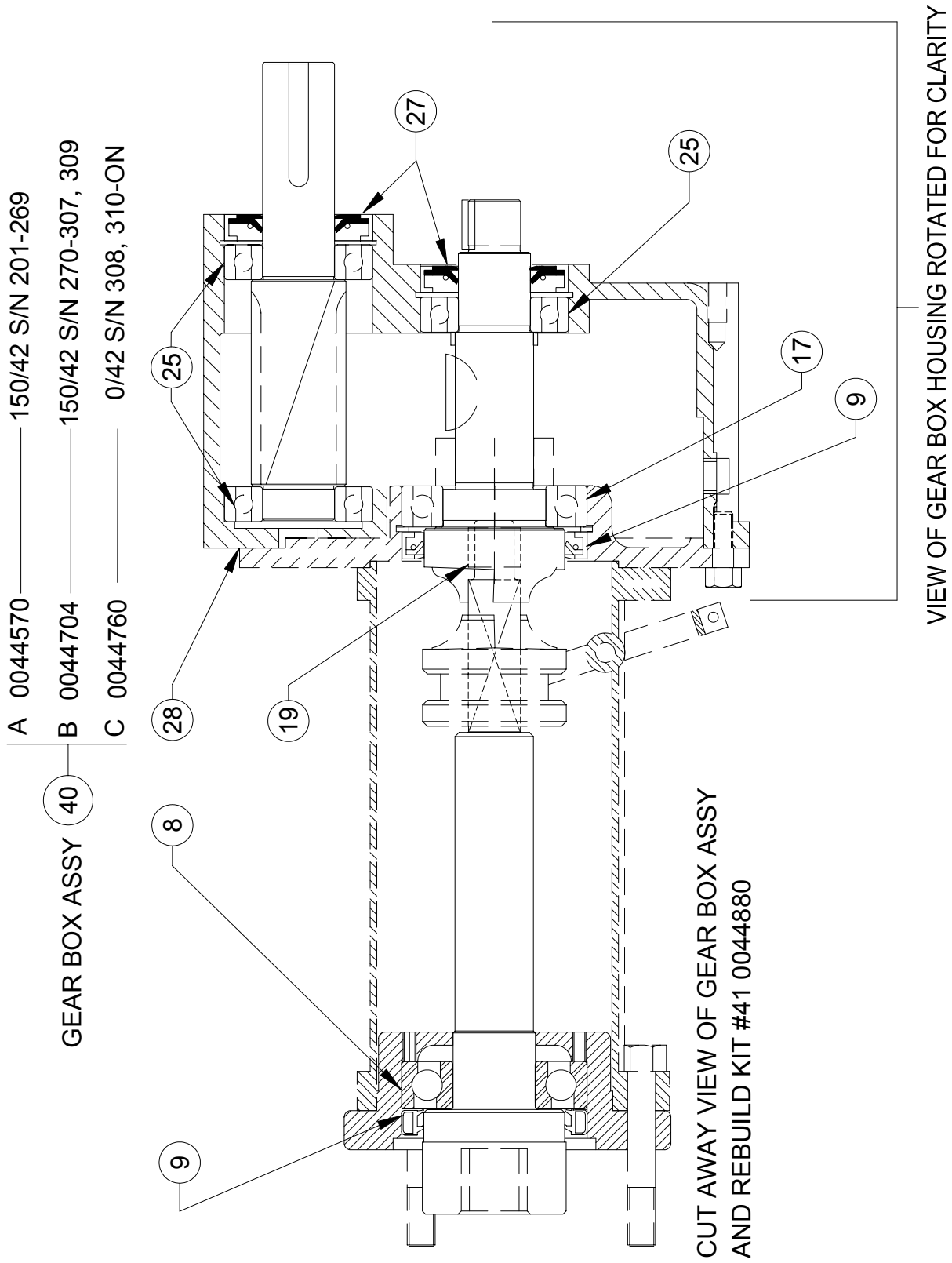
B 0044704 \_\_\_ 150/42 S/N 270-307 & 309

C 0044760 (SHOWN) \_\_\_ 150/42 S/N 308, 310 TO 975



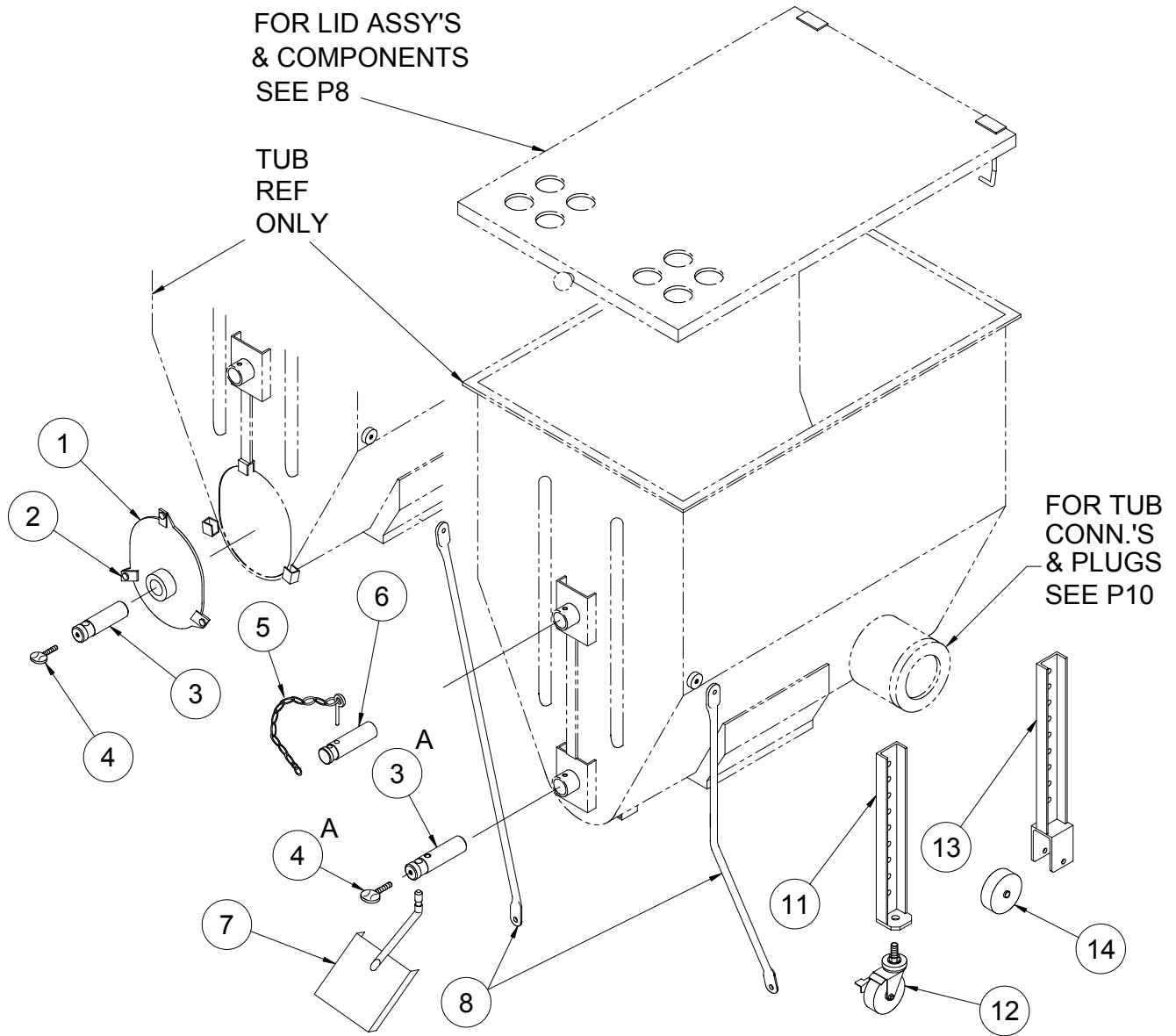
ITEM#	PART#	DESCRIPTION	QTY.	ITEM#	PART#	DESCRIPTION	QTY.
9	0090421	SEAL (LARGE)	1	31	0091021	SMALL SPROCKET	1
16	0090230	RETAINING RING	1	32	0091112	CHAIN ASSEMBLY	1
17	0090322	THRUST BEARING	1	33A	0045091	SPROCKET ASSY (ASSY A&B)	1
18	0044571	COVER GEAR BOX	1	33B	0044750	SPROCKET ASSY (ASSY C)	1
19	0090716	BUSHING SHAFT	1	34A	0090717	BUSHING (ASSY A&B)	1
20A	0045199	DRIVE SHAFT W/BUSHING (ASSY A)	1	34B	0090326	BUSHING (ASSY C)	2
20B	0044706	DRIVE SHAFT W/ BUSHING (ASSY B&C)	1	35	0044752	SPACER SPROCKET (ASSY C)	1
21	0090607	WOODRUFF KEY	1	36A	0044180	JACK SHAFT (ASSY A&B)	1
22	0059247-4	KEY	1	36B	0044751	JACK SHAFT (ASSY C)	1
23	0045197	SPACER	1	37	0095171	PIPE PLUG	2
24		GEAR (PURCHASE W/#16)	1	38	0095152	STREET ELBOW	1
25	0090304	BEARING HOUSING	3	39	0044766	RING	A/R
26	0090205	RETAINING RING HOUSING	2	40A	0044570	GEAR BOX ASSEMBLY	1
27	0090404	SEAL (SMALL DRIVE SHAFT)	2	40B	0044704	GEAR BOX ASSEMBLY	1
28	0059061	GASKET	1	40C	0044760	GEAR BOX ASSEMBLY	1
29	0044564	HOUSING	1	41	0044880	REBUILD KIT SEE P3_1	1
30	0043181	PINION & GEAR WHEEL #10	1				

# REPLACEMENT PARTS FOR M/G'S 150/42 S/N 201-975 (THAT WERE MANUFACTURED BY "LASAR MFG" BEFORE 1988)



# REPLACEMENT PARTS FOR M/G'S 150/42 S/N 201-975 (THAT WERE MANUFACTURED BY "LASAR MFG" BEFORE 1988)

## TUB SHAFTS, SUPPORT & CABINET LEGS



ITEM#	PART#	DESCRIPTION	QTY.	ITEM#	PART#	DESCRIPTION	QTY.
1	0044765	150/42 CONVEYOR COVER	1	7	0044626	SPURT GUARD	1
2	0059193S	SS RIVET CONV. COVER	3	8	0044629	150/42 SUPPORT BRACE	2
3	0044769S	SHAFT CONV. COVER	1				
3A	0044630S	SHAFT CONVEYOR	1				
4	TS-21-16-S	THUMB SCREW SHAFT	4	11	0044610	FRONT LEG	2
4A	TS-23-16-S	THUMB SCREW SHAFT	1	12	0095034	CASTER & BRAKE	2
5	0026547S	PIN & CHAIN ASSY SS	1	13	0044605	REAR LEG	2
6	0026545	SHAFT PADDLES	1	14	0095035	REAR CASTER WHEEL	2