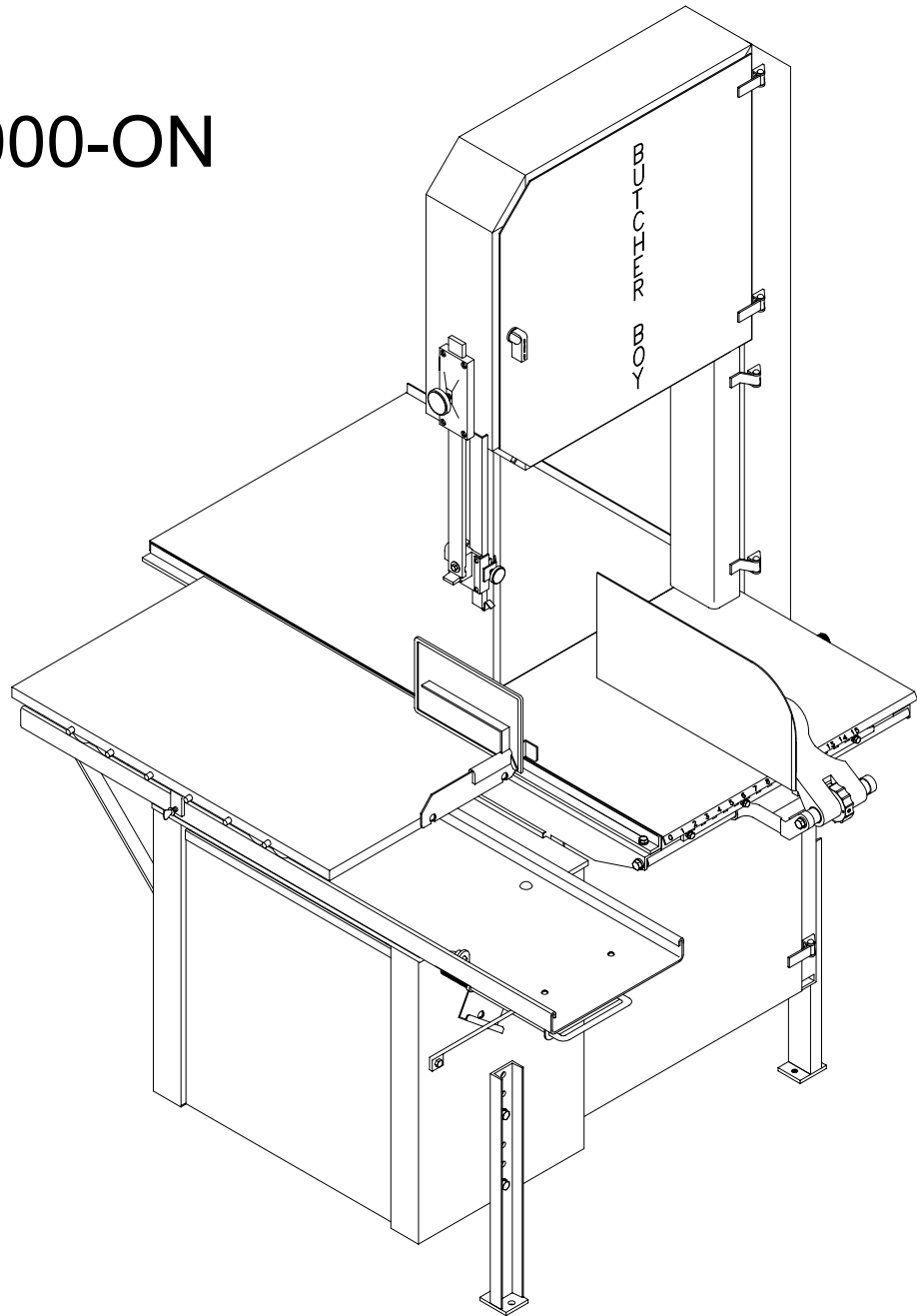


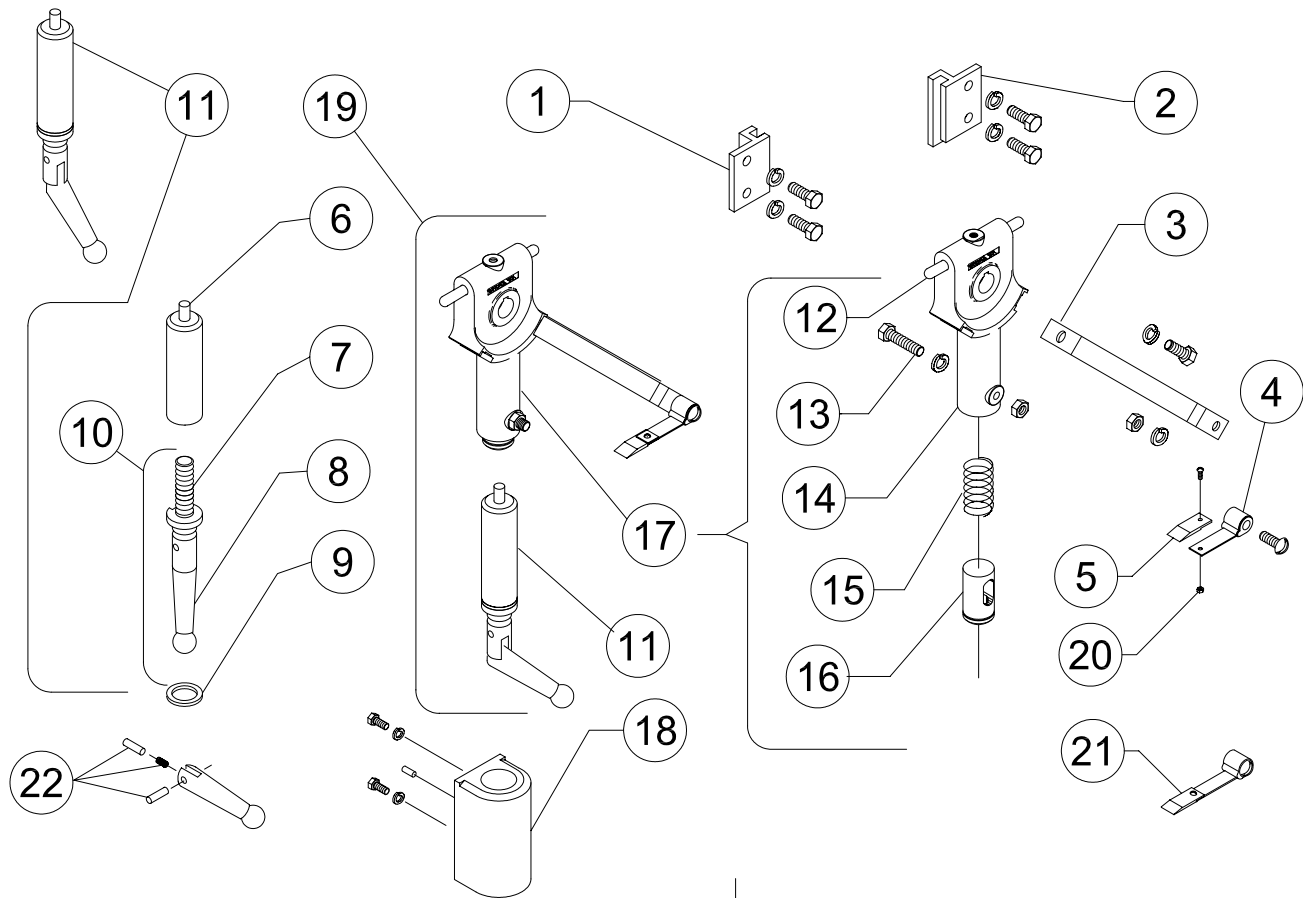
BUTCHER BOY SA20 MEAT SAW REPLACEMENT PARTS MANUAL

S/N 1000-ON



SA20 SAW
R/H - SHOWN
L/H - OPPOSITE

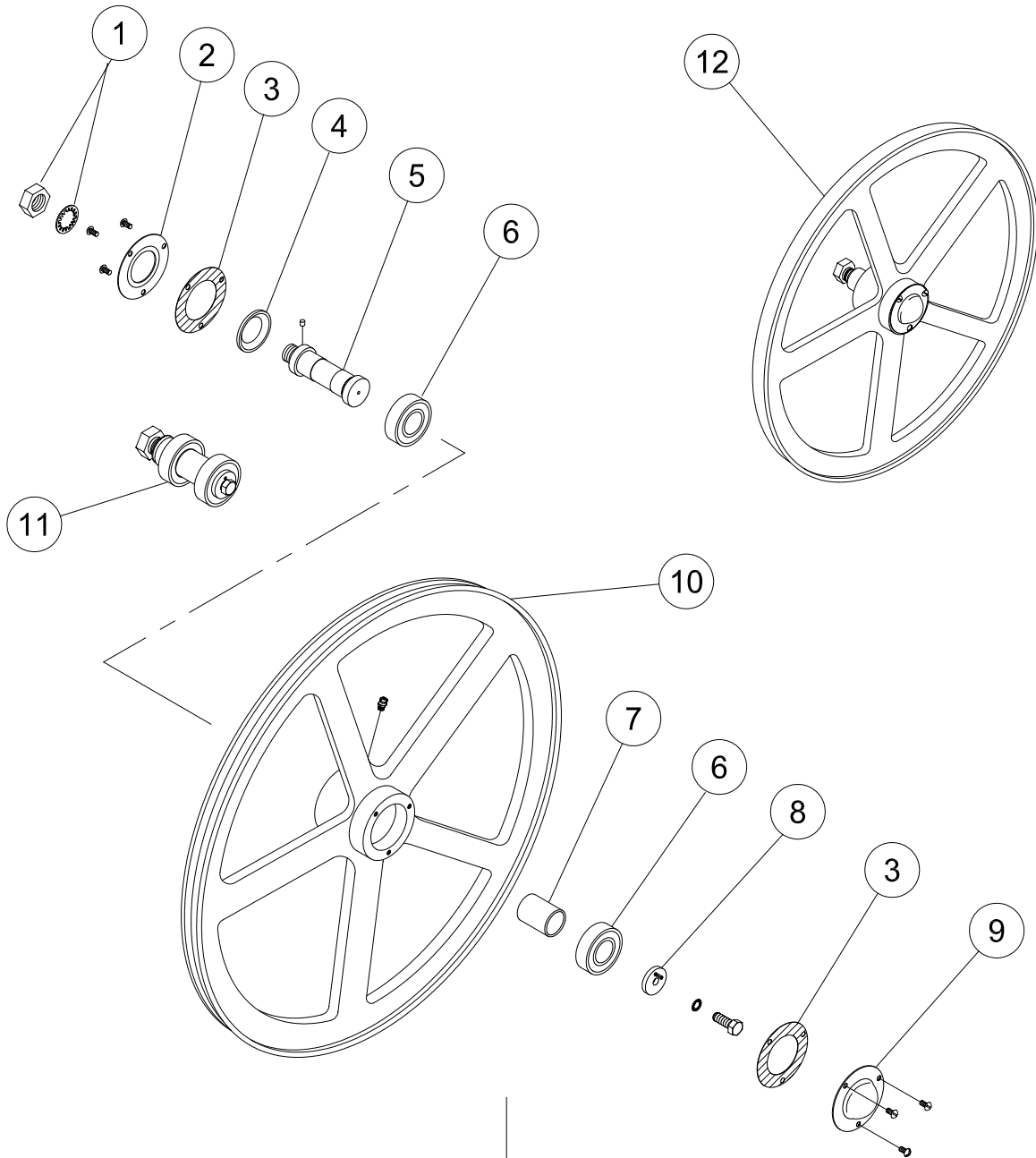
SA 20 S/N 1000- ON UPPER WHEEL TENSION ASSY RH & LH
SHOWN AS RH



1	10283	UPPER GUIDE BLOCK LH	1	13	16035	WHEEL ADJ. SCREW & NUT	1
2	10282	UPPER GUIDE BLOCK RH	1	14	10730	UPPER WHEEL HANGER RH	1
3	20902	SCRAPER ARM	1	14	10731	UPPER WHEEL HANGER LH	1
4	10277	WHEEL SCRAPER SPRING ASSY	1	15	10082	SPRING	1
5	20035	SCRAPER	1	16	10056	TENSION GA. INDICATOR	1
6	20655	SPINDLE SLEEVE ASSY	1	17	20540	RH BLADE TENSION ASSY	1
7	20652	TENSION GAUGE SPINDLE	1	17	20541	LH BLADE TENSION ASSY	1
8	16090	TENSION HANDLE	1	18	20649	TENSION SPINDLE GUIDE ASSY	1
9	20258	THRUST WASHER	1	19	20673	UPPER WHEEL HANGER ASSY LH	1
10	20653	TENSION GA. HANDLE & SPINDLE ASSY	1	19	20674	UPPER WHEEL HANGER ASSY RH	1
11	20656	TENSION GA. HANDLE ASSY W/ SLEEVE	1	20	10778	SCREW & NUT ASSY	1
12	16034	TENSION GAUGE PIN	1	21	20376	SPRING & SCRAPER ASSY	1
				22	16093	PINS & SPRING ASSY	1

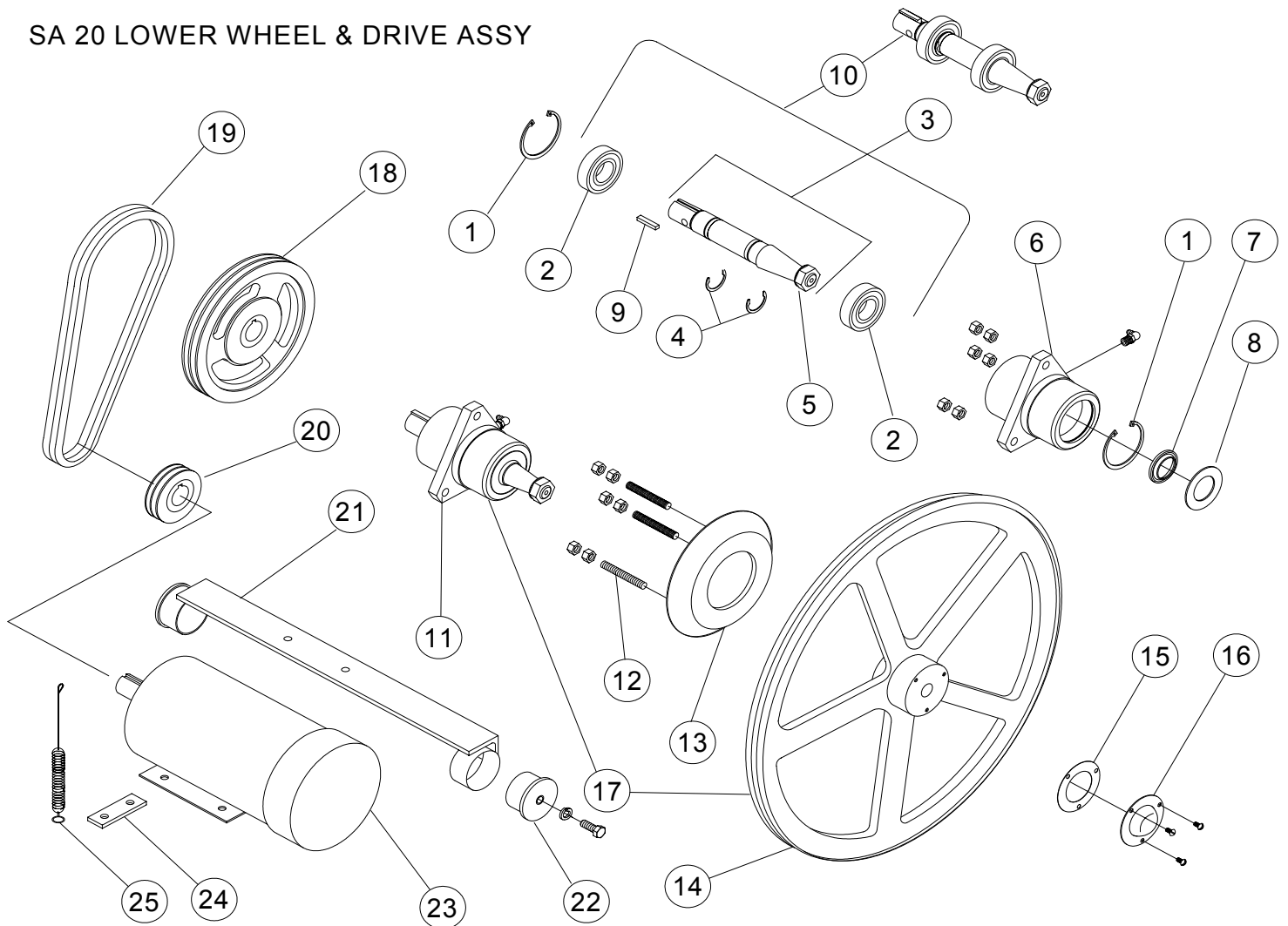
American Meat Equipment Corp.
1625 S. GREENWOOD AVE,
MONTEBELLO, CA 90640-6534
(323) 724-5348

SA 20 S/N 1000 - ON UPPER WHEEL ASSY



1	10770	NUT & WASHER FOR SHAFT	1	7	10258	SPACER	1
2	10030	BEARING RETAINER	1	8	10128	SPECIAL WASHER & SCREW	1
3	10127	GASKET	2	9	10031	HUB CAP	1
4	90400	RUBBER SEAL	1	10	20156	SA20 UPPER WHEEL 5/8	1
5	10018	SHAFT W/ WASHER & NUT	1	11	10574	UPPER SHAFT & BEARING ASSY	1
6	90302	BEARING	2	12	20255	SA20 UPPER WHEEL ASSY 5/8	1

SA 20 LOWER WHEEL & DRIVE ASSY



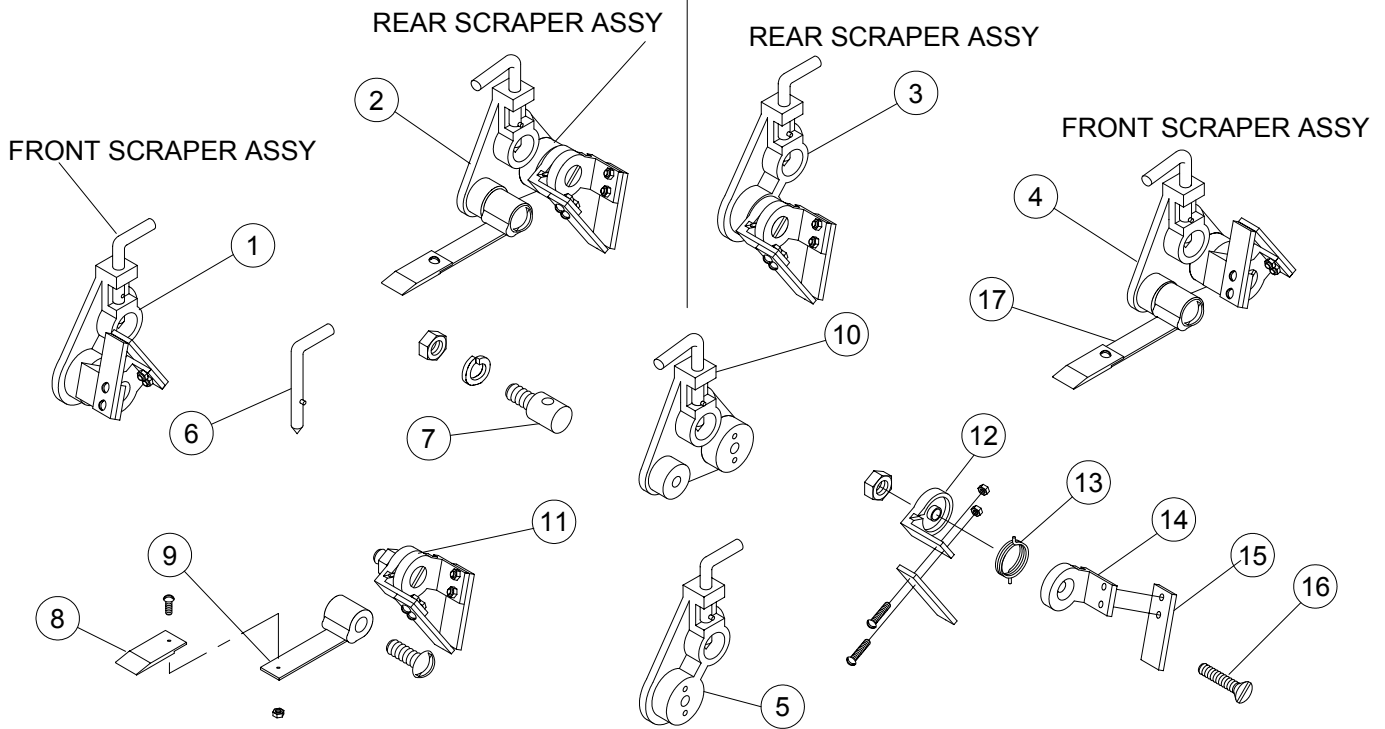
1	90200	RETAINING RING (LARGE)	2	15	10127	GASKET	1
2	90300	BEARING	2	16	10031	HUB CAP	1
3	10023	SHAFT ASSY W/ WASH, & NUT	1	17	20274	LOWER WHEEL & HOUSING ASSY	1
4	90201	RETAING RING (SMALL)	2	18	20892	DRIVEN PULLEY AND HUB ASSY(STD)	1
5	10770	NUT & WASHER FOR SHAFT	1	18	20891	DRIVEN PULLEY AND HUB ASSY(HI)	1
6	20108	BEARING HOUSING	1	19	90521	V-BELTS (MATCH) (STD)	2
7	90400	RUBBER SEAL	1	19	90503	V-BELTS (MATCH) (HI)	2
8	10029	SPECIAL WASHER	1	20	20890	MOTOR PULLEY AND HUB ASSY	1
9	59247-8	KEY-SHAFT	1	21	20233S	MOTOR MOUNT	1
10	10575	LOWER SHAFT & BEARING ASSY	1	22	10118	RUBBER MOUNT	1
11	20254	LOWER SHAFT & HOUSING ASSY	1	23	92169	3HP MOTOR 3 PHASE	1
12	10078	STUD	3	23	92193	5HP MOTOR 3 PHASE	1
13	10077	BEARING HOUSING SUPPORT	1	24	20243S	TORQUE LIMIT BRACKET	1
14	20157	LOWER WHEEL	1	25	20228	MOTOR TORQUE SPRING ASSY	1
14	20089	LOWER WHEEL-RH (O/S 3/4)	1				

American Meat Equipment Corp.
 1625 S. GREENWOOD AVE,
 MONTEBELLO, CA 90640-6534
 (323) 724-5348

FOR SA20 R/H SAW S/N 1000-ON

GUIDES

FOR SA20 L/H SAW S/N 1000-ON



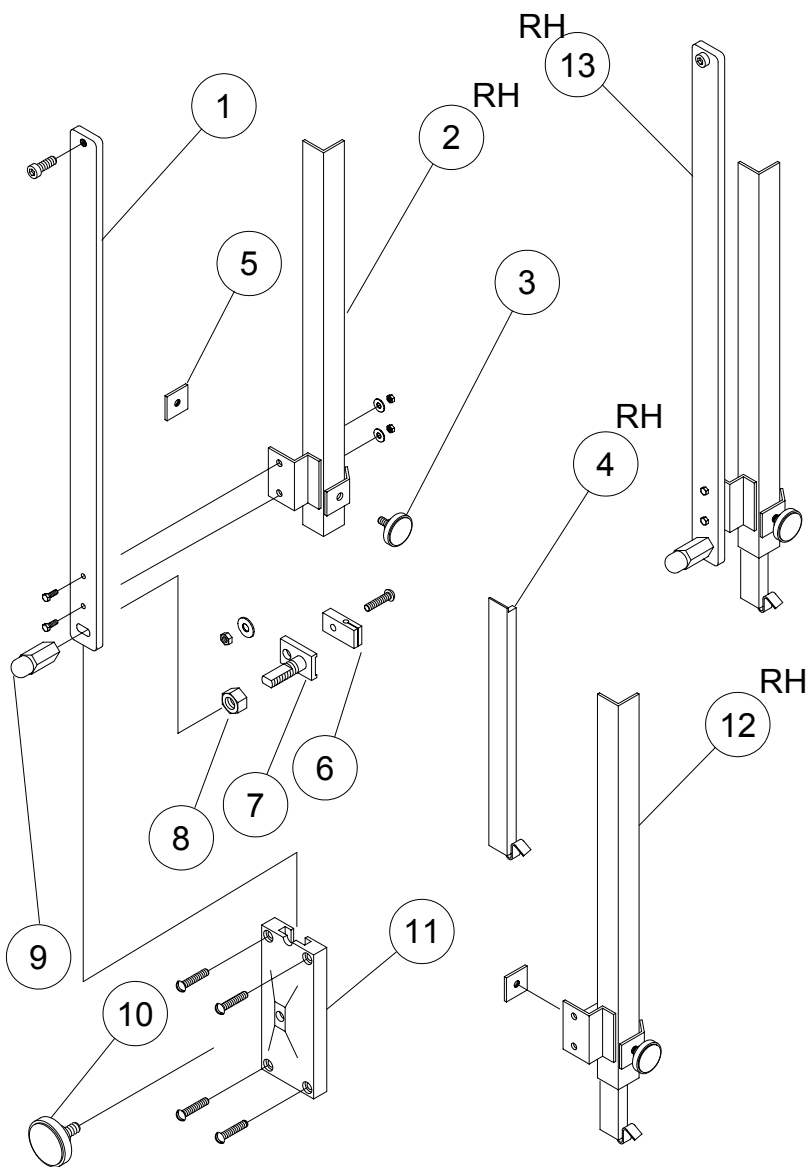
ITEM#	PART#	DESCRIPTION	QTY
1	20679	FRONT SCRAPER ASSY RH (FIBER)	1
2	20225	REAR SCRAPER ASSY RH (FIBER)	1
3	20726	REAR SCRAPER ASSY LH (FIBER)	1
4	20725	FRONT SCRAPER ASSY LH (FIBER)	1
5	20678	SCRAPER MOUNT & LOCK	1
6	20246	LOCKING PIN	2
7	20055	SCRAPER HOLDING STUD	2
8	20035	FIBER SCRAPER	2
9	10277	SCRAPER SPRING	2
10	20247	SCRAPER MOUNT & LOCK	1
11	10460	BLADE SCRAPER ASSY-FIBER	2
11	10464	BLADE SCRAPER ASSY-S.S.	IF REQ
12	10301	SCRAPER HOLDER	2
13	10199	SPRING-SCRAPER ASSY	2
14	10302	SCRAPER HOLDER	2
15	10300	SCRAPER-FIBER	4
15	10310	SCRAPER-STAINLESS ST'L	IF REQ
16	10792	FLAT HD. SCREW & NUT ASSY	2
17	20376	SPRING & SCRAPER ASSY	1

American Meat Equipment Corp.
 1625 S. GREENWOOD AVE,
 MONTEBELLO, CA 90640-6534
 (323) 724-5348

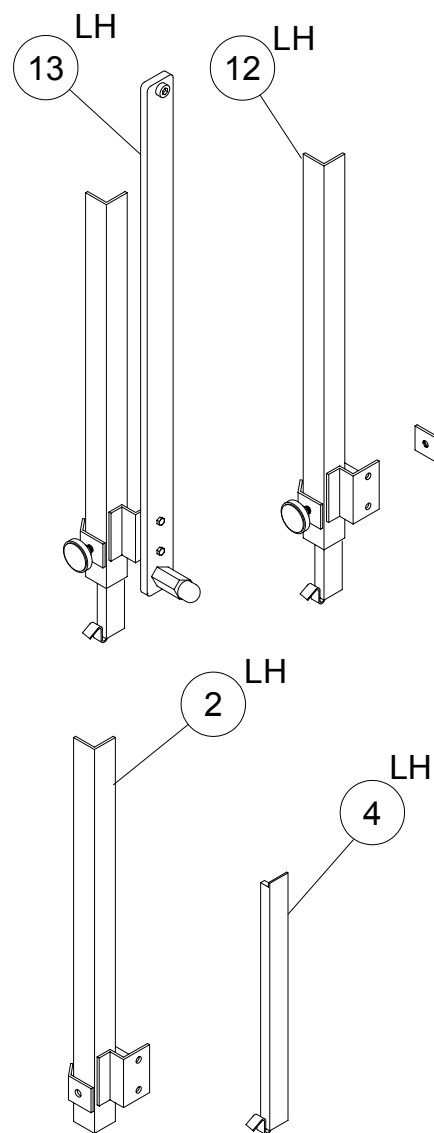
COMPLETE GUARD ASSY

S/N 1000-ON

R/H PARTS & ASSY



L/H PARTS & ASSYS

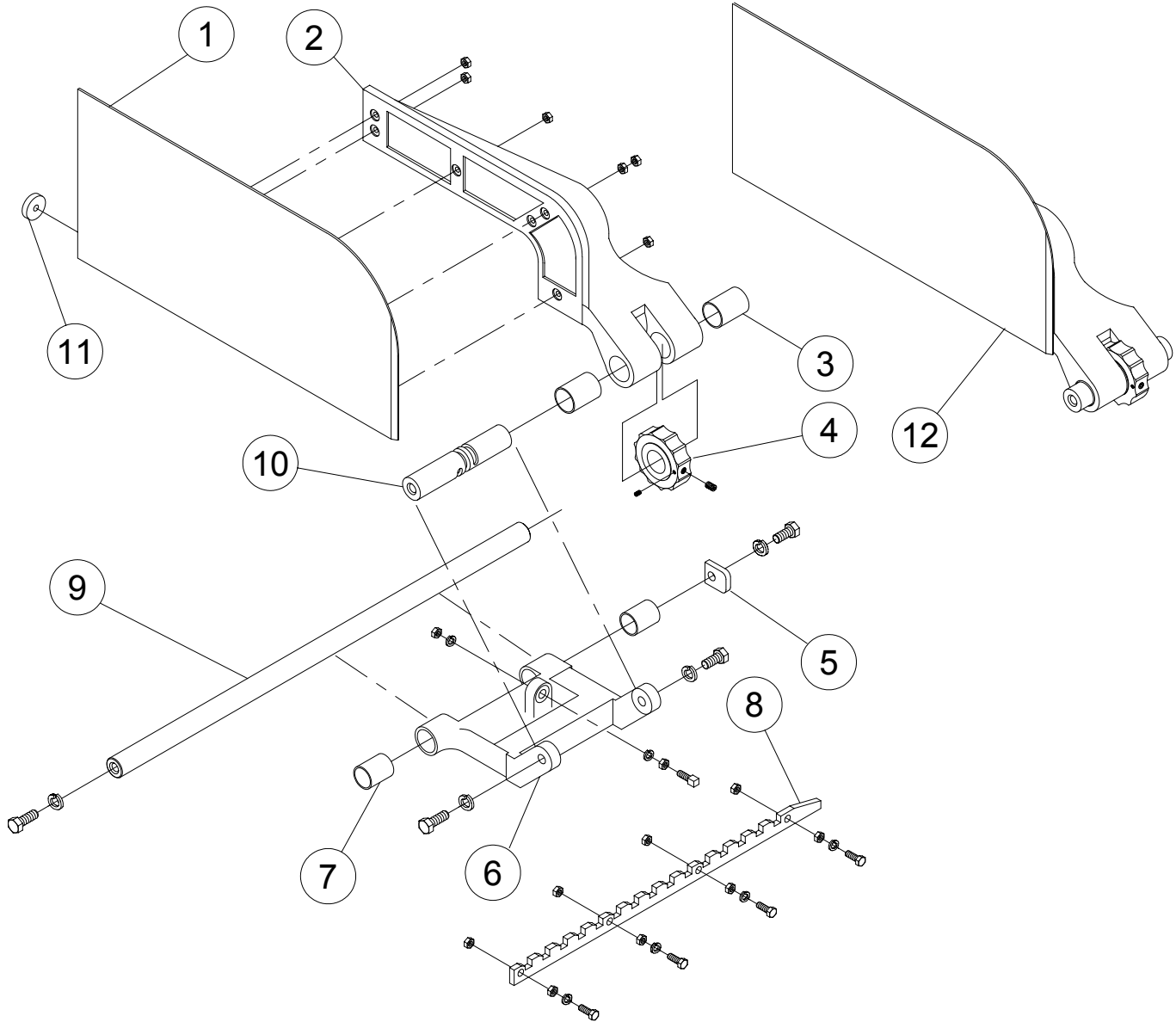


1	160695	BLADE SUPPORT ADJ BAR	1	7	20782S	HOLDER-SS	1
2	20624	BLADE GUARD ASSY LH	1	8	20788S	LOCK NUT-SS	1
2	160700	BLADE GUARD ASSY RH	1	9	20789S	HAND GRIP ROUND NUT-SS	1
3	95084S	KNOB-SS THREADED STEM	1	10	90600	BAR SAFETY LOCK KNOB	1
4	160665	EXTENSION-BLADE GUARD-RH	1	11	20779	BLADE SUPPORT BAR GUIDE	1
4	160664	EXTENSION-BLADE GUARD-LH	1	12	160701	BLADE GUARD ASSY W/ EXT RH	1
5	10714	CATCH	1	12	20921	BLADE GUARD ASSY W/ EXT LH	1
6	20785	BLADE GUIDE .030 CARBIDE	1	13	160705	RH BAR GUIDE ASSY	1
6	20786	BLADE GUIDE .018 CARBIDE	1	13	20770	LH BAR GUIDE ASSY	1

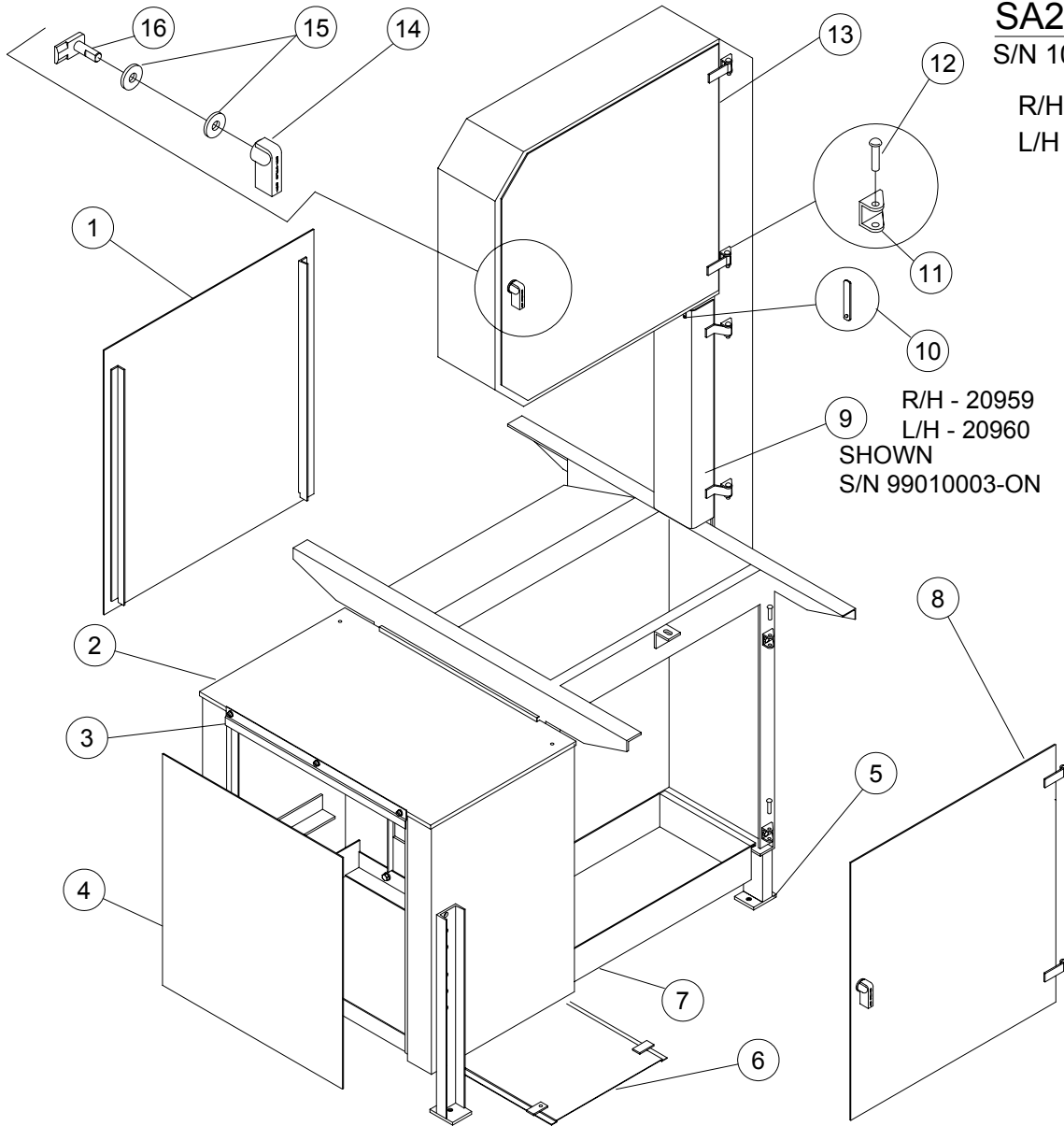
American Meat Equipment Corp.
1625 S. GREENWOOD AVE,
MONTEBELLO, CA 90640-6534
(323) 724-5348

- 20692 COMPLETE RH THICKNESS GA. ASSY W/ROD & RATCHET LOCK (137B)
- 20693 COMPLETE LH THICKNESS GA. ASSY W/ROD & RATCHET LOCK (137B)
- 20342 RH THICKNESS GA. ASSY W/ROD (137A)
- 20343 LH THICKNESS GA. ASSY W/ROD (137A)

RH PARTS & ASSYS SHOWN
LH PARTS & ASSYS OPP.



1	20687	RH THICKNESS GA. PL. ASSY (050C)	1	7	90756	BUSHING-GA SLIDE BRKT.	1
1	20688	LH THICKNESS GA. PL. ASSY (050C)	1	8	20215	RATCHET LOCK-THICKNESS GA. (054A)	1
2	20211	RH THICKNESS GA. ARM (050B)	1	9	20217	SLIDE ROD WITH BOLTS (056A)	1
2	20570	LH THICKNESS GA. ARM (050B)	1	10	20213	GAUGE SPINDLE (052A)	1
3	90765	BUSHING-THICKNESS GA. ARM	1	11	10297	ROLLER WHEEL (053A)	1
4	20896	GA. HANDWHEEL & SET SCR. (051A)	1	12	20340	RH THICKNESS GA PL. & ARM ASSY (0137)	1
5	20241	LUG GA. STOP (0055)	1	12	20341	LH THICKNESS GA PL. & ARM ASSY (0137)	1
6	20216	THICKNESS GA. SLIDE BRKT. (055A)	1				



SA20 PANELS
S/N 1000-ON

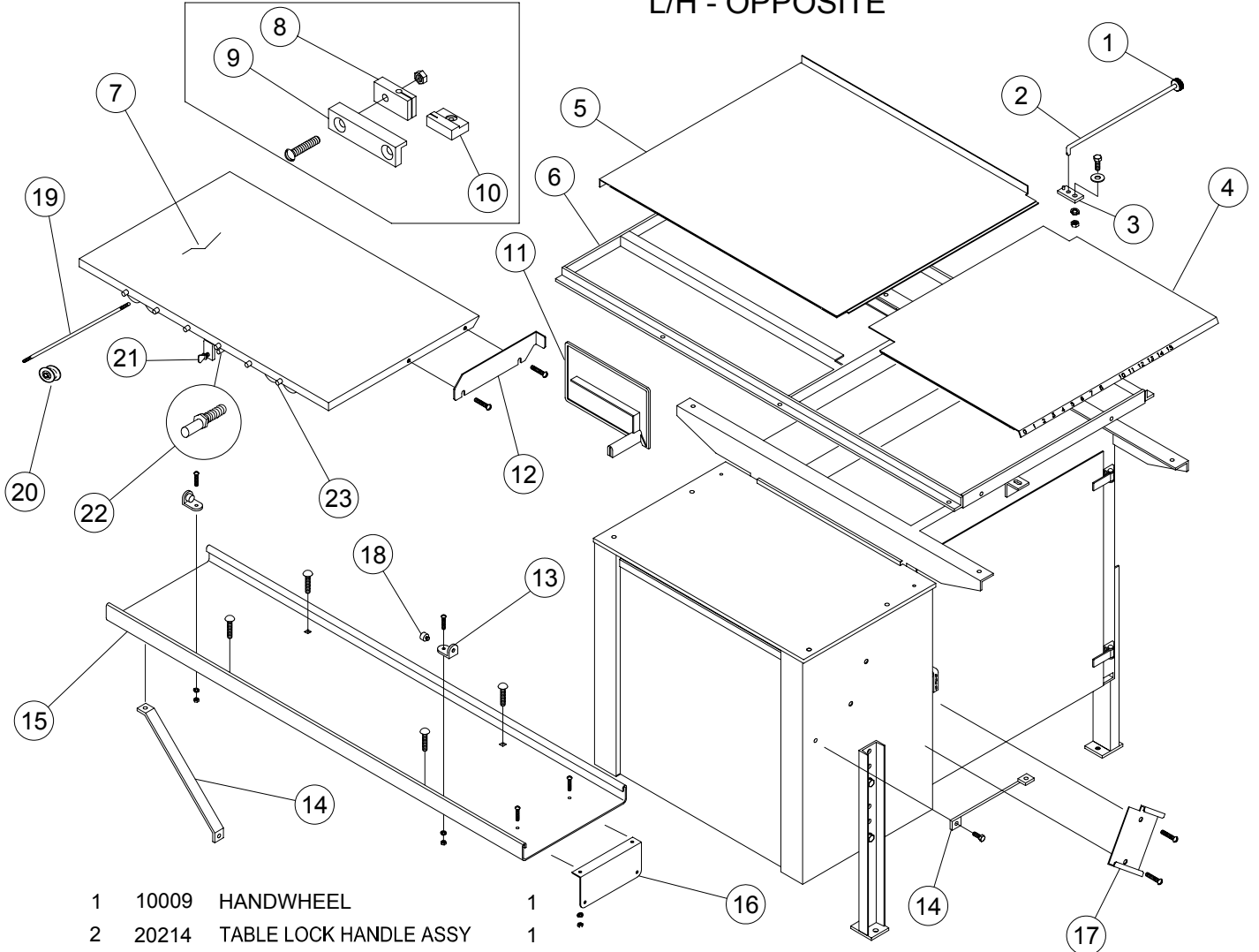
R/H - SHOWN
L/H - OPPOSITE

R/H - 20959
L/H - 20960
SHOWN
S/N 99010003-ON

1	20706	SIDE COVER ASSY	1	9	20701	LH COLUMN DOOR ASSY S/N 1000-9999	1
2	20844	TOP COVER-MOTOR CAB.	1	9	20960	LH COLUMN DOOR ASSY S/N 99010003-ON	1
3	20621	CATCH-TOP MOTOR COVER	1	10	20703	LATCH-COLUMN DOOR (BEFORE S/N 99010003)	1
4	20842	FRONT COVER-MOTOR CAB.	1	11	10571	HINGE HALF	6
5	20772	LEG ASSY	4	12	10581	HINGE PIN	6
6	20684	BOTTOM COVER-MOTOR CAB.	1	13	20695	UPPER DOOR ASSY	1
7	20154	BONE BOX	1	14	10401	DOOR HANDLE	2
8	20712	LOWER DOOR ASSY	1	15	90602	WASHER-SPACER	2
9	20700	RH COLUMN DOOR ASSY S/N 1000-9999	1	16	10650	DOOR LATCH	2
9	20959	RH COLUMN DOOR ASSY S/N 99010003-ON	1				

American Meat Equipment Corp.
1625 S. GREENWOOD AVE,
MONTEBELLO, CA 90640-6534
(323) 724-5348

TABLES AND SUPPORTS R/H - SHOWN S/N 1000-ON
L/H - OPPOSITE



1	10009	HANDWHEEL	1		
2	20214	TABLE LOCK HANDLE ASSY	1		
3	20220	TABLE LOCK CATCH-RH	1		
3	20197	TABLE LOCK CATCH-LH	1	12	20036 UPRIGHT PLATE-RH
4	20553	REMOVABLE TABLE-RH	1	12	20336 UPRIGHT PLATE-LH
4	20554	REMOVABLE TABLE-LH	1	13	10037 TABLE STOP ASSY
5	20549	STATIONARY TABLE-RH	1	14	20339 SS TRACK BRACE
5	20550	STATIONARY TABLE-LH	1	15	20709 TABLE TRACK-LH
6	20545	TABLE FRAME-LH	1	15	20710 TABLE TRACK-RH
6	20546	TABLE FRAME-RH	1	16	20665 GUIDE BRACKET
7	20022	ROLLER TABLE-LH	1	17	10067 PUSHER PL. HOLDER
7	20025	ROLLER TABLE-RH	1	18	90612 RUBBER BUMPER
8	20785	BLADE GUIDE (FOR .022)	1	19	20029 AXLE SPINDLE
8	20786	BLADE GUIDE (FOR .016)	1	20	10068 GROOVE WHEEL
9	20222	BLADE GUIDE SPACER-RH	1	20	10065 FLAT WHEEL
9	20251	BLADE GUIDE SPACER-LH	1	21	10068 GROOVE WHEEL
10	20143	FIBER BLADE BLOCK	1	22	10065 FLAT WHEEL
11	20155	SHORT CUT PL-RH	1		AS REQ.
11		SHORT CUT PL-LH	1		AS REQ.