

BUTCHER BOY TCA32 COUNTER TOP GRINDER

OPERATING INSTRUCTIONS AND PARTS MANUAL



MANUFACTURED BY:

AMERICAN MEAT EQUIPMENT LLC
640 Mulberry Ave.
Selmer, TN 38375
PH: 731-434-1012 • FAX 731-645-6056

BUTCHER BOY TCA32 COUNTER TOP GRINDER

Before installing, operating or cleaning the BUTCHER BOY TCA32 GRINDER all persons coming into contact with this equipment must read and completely understand the contents of this document.

If you have any doubts about the installation, operation or cleaning of this equipment contact the dealer from which the equipment was purchased or contact the factory.

BUTCHER BOY TCA32 GRINDERS are manufactured solely to cut meat, chicken and fish. The grinders are not intended for other purposes.

UPON RECEIPT OF THE GRINDER: Thoroughly inspect the grinder for any damage that may have occurred during transit. If damage is detected contact the carrier for instructions.

A. INSTALLATION:

Unpack and place the grinder on a stable flat surface at a convenient height to the operator. Make sure the grinder is configured as ordered.

On three phase machines a cord is provided for the electrician to attach the correct plug. On three phase motors be sure of correct rotation. **Electrical connections must be made by a qualified electrician and comply with all codes.**

SAFETY FEATURES:

BOWL GUARD: Stays with the bowl when the pan is removed.

MEAT STOMPER: Included, used to push meat into bowl through guard.

B. TO REMOVE THE PAN FROM BOWL:

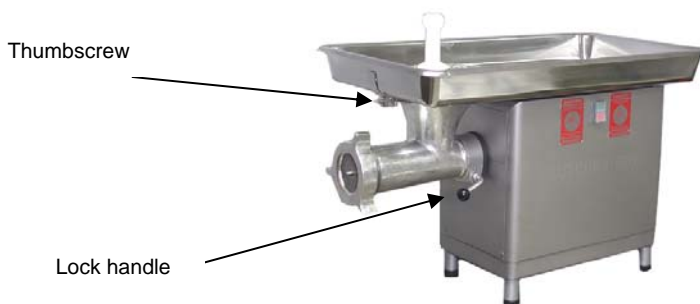
LOCKOUT THE ELECTRICAL POWER!

Loosen thumbscrew and lift pan over guard while moving pan toward rear of machine.

C. TO REMOVE BOWL FROM MACHINE:

LOCKOUT THE ELECTRICAL POWER!

Remove knife and plate ring, pull out feed screw. Rotate lock handle toward front of bowl to approximately the 12:00 o'clock position. Pull bowl from gearbox (you may need to wiggle the lock handle slightly). Reverse the removal procedure to reassemble.



BUTCHER BOY TCA32 COUNTER TOP GRINDER

D. TO CLEAN THE BUTCHER BOY TCA32:

LOCKOUT THE ELECTRICAL POWER!

Remove the pan, stomper and cutting group. Wash the removed parts in your approved cleaning solution. Wipe or blow dry the removed parts, sanitize and then apply an approved mineral oil. Hand wipe the cabinet, sanitize and then apply an approved mineral oil. **DO NOT IMMERSE THE CABINET.** (Follow your facility sanitation procedures if our instructions conflict with your procedures).

OPERATING INSTRUCTIONS

THE BUTCHER BOY TCA32 BOWL IS EQUIPPED WITH A PERMANENTLY ATTACHED SAFETY GUARD. SHOULD THE GUARD BE BROKEN OR IN ANY WAY ALLOW ENTRY INTO THE GRINDER **DO NOT USE THE GRINDER.** THE BOWL MUST BE REPAIRED OR REPLACED IMMEDIATELY.

REPLACE THE STOMPER WHEN WORN OR BROKEN.

ALWAYS:

DISCONNECT THE ELECTRICAL POWER TO THE MACHINE WHEN NOT IN USE!

NEVER:

PUT HANDS IN MACHINE WHEN MACHINE IS RUNNING!

NEVER:

CLEAN WITH POWER ON!

NEVER:

SERVICE WITH POWER ON!

When preparing to grind be sure plate and knife are sharp (plates and knives should be kept as matched sets) and the holes in the plate are the proper size. PLATES WITH HOLES 3/8" OR LARGER SHOULD NOT BE USED WITHOUT SPECIAL ATTENTION TO THE POSSIBILITY THAT ACCESS TO THE KNIFE IS POSSIBLE!

Assemble the cutting group (be sure the plate protrudes a minimum 1/8" from the bowl).

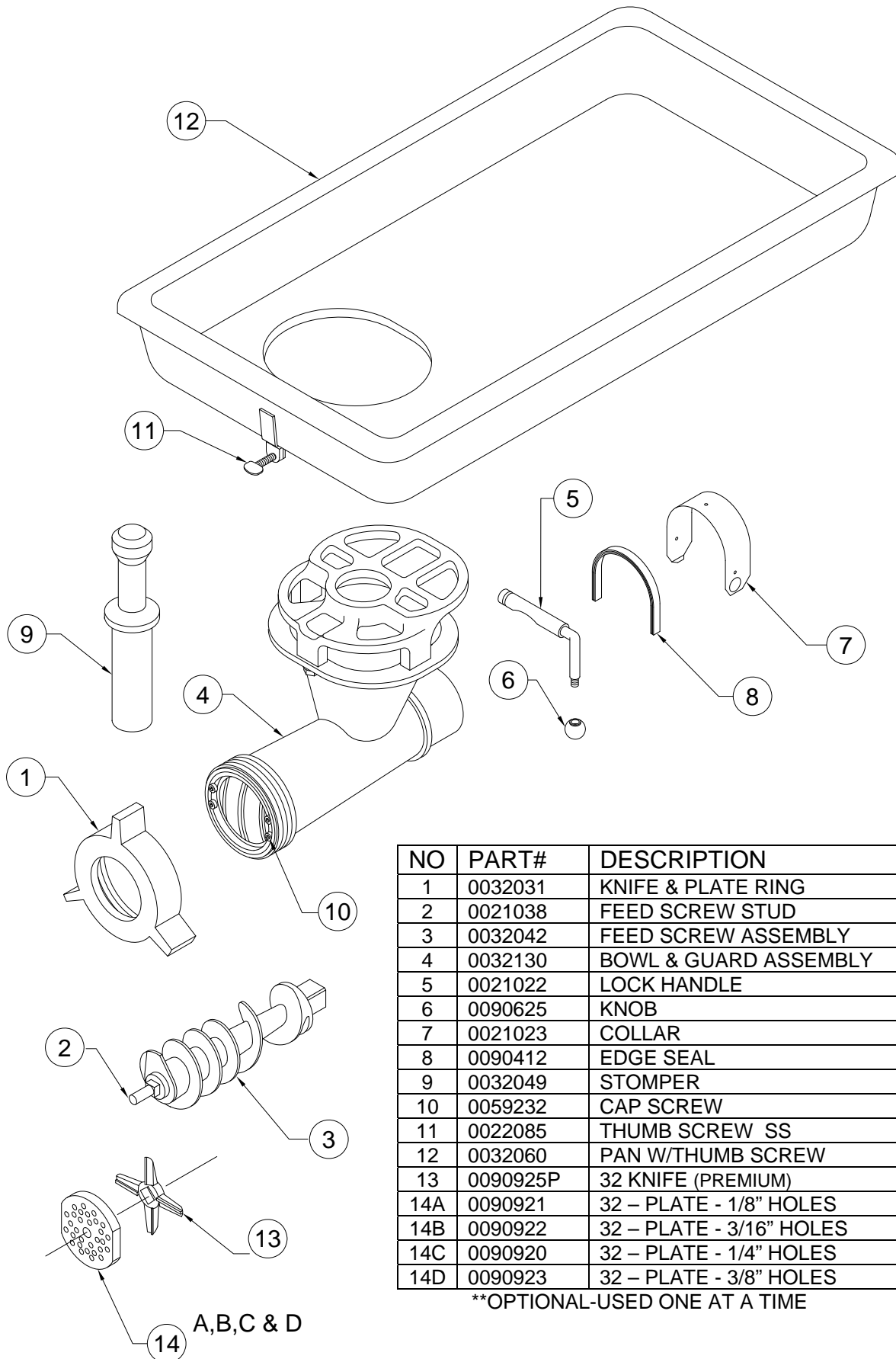
Lightly tighten the knife and plate ring against the plate, using the stomper push the product into the grinder. Turn on the machine, run until product appears at the plate, firmly tighten the knife and plate ring, by hand, and you're ready to run production.

MAINTENANCE

The BUTCHER BOY TCA32 is manufactured to require very little maintenance. Upon daily cleaning look for obvious wear on the feed screw, stud and chuck. Under normal operation have your service company replace the oil and check the belts every 12 months.

There are no user serviceable electrical components in the BUTCHER BOY TCA32.

BUTCHER BOY TCA32 COUNTER TOP GRINDER

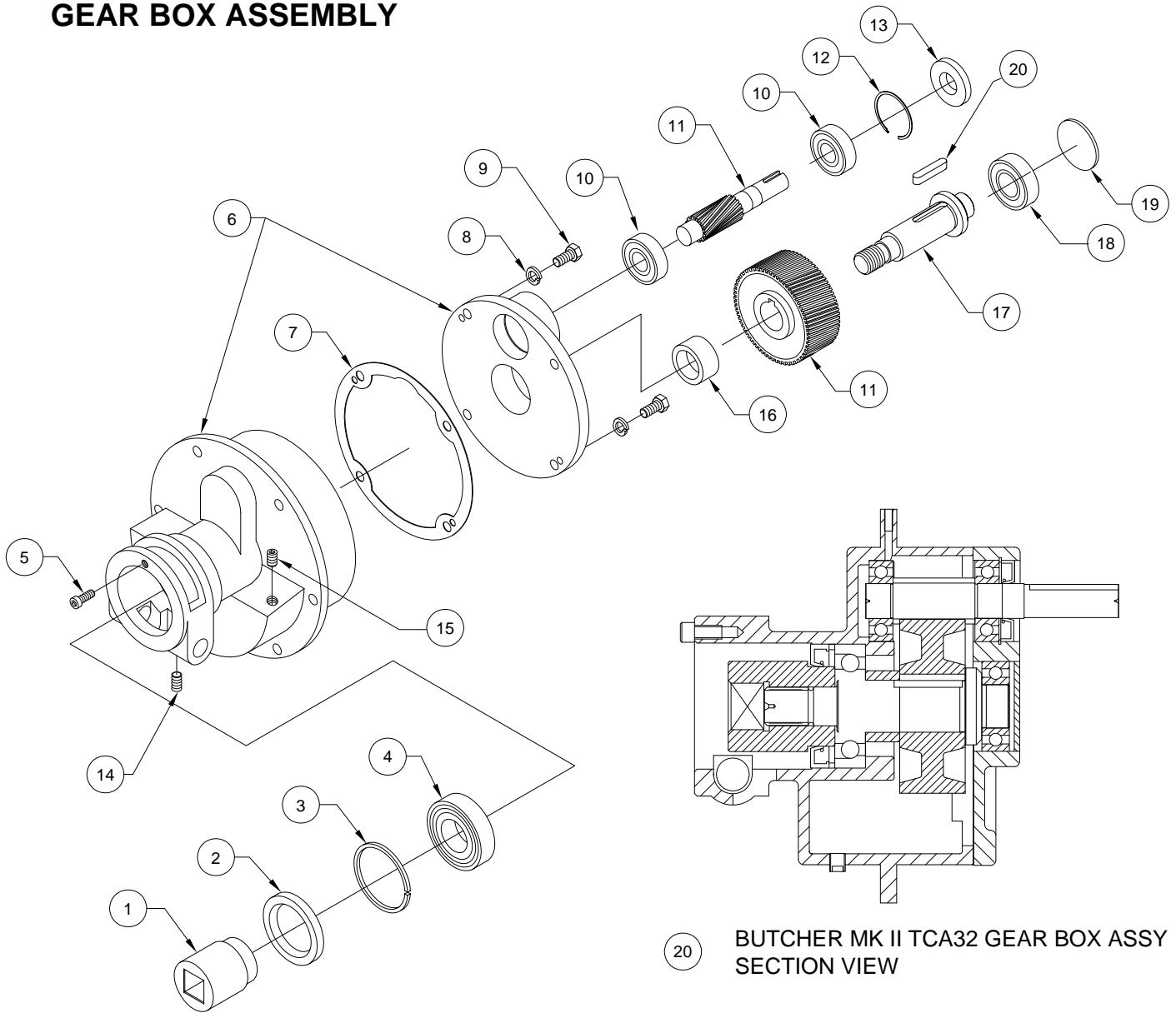


NO	PART#	DESCRIPTION	UOM
1	0032031	KNIFE & PLATE RING	1
2	0021038	FEED SCREW STUD	1
3	0032042	FEED SCREW ASSEMBLY	1
4	0032130	BOWL & GUARD ASSEMBLY	1
5	0021022	LOCK HANDLE	1
6	0090625	KNOB	1
7	0021023	COLLAR	1
8	0090412	EDGE SEAL	1
9	0032049	STOMPER	1
10	0059232	CAP SCREW	4
11	0022085	THUMB SCREW SS	1
12	0032060	PAN W/THUMB SCREW	1
13	0090925P	32 KNIFE (PREMIUM)	1
14A	0090921	32 - PLATE - 1/8" HOLES	1**
14B	0090922	32 - PLATE - 3/16" HOLES	1**
14C	0090920	32 - PLATE - 1/4" HOLES	1**
14D	0090923	32 - PLATE - 3/8" HOLES	1**

**OPTIONAL-USED ONE AT A TIME

BUTCHER BOY TCA32 COUNTER TOP GRINDER

GEAR BOX ASSEMBLY



NO	PART#	DESCRIPTION	UOM
1	0021006	FEED SCREW CHUCK	1
2	0090413	SEAL	1
3	0032020	SPACER	1
4	0090309	THRUST BEARING	1
5	SHCS-21-16-SS	SCREW	1
6	0032015	HOUSING & COVER	1
7	0021004	GASKET	1
8	SLW-06-SS	WASHER	4
9	HHCS-23-16-SS	SCREW	4
10	0090307	BALL BEARING	2
11	0032018	GEAR AND PINION	1SET

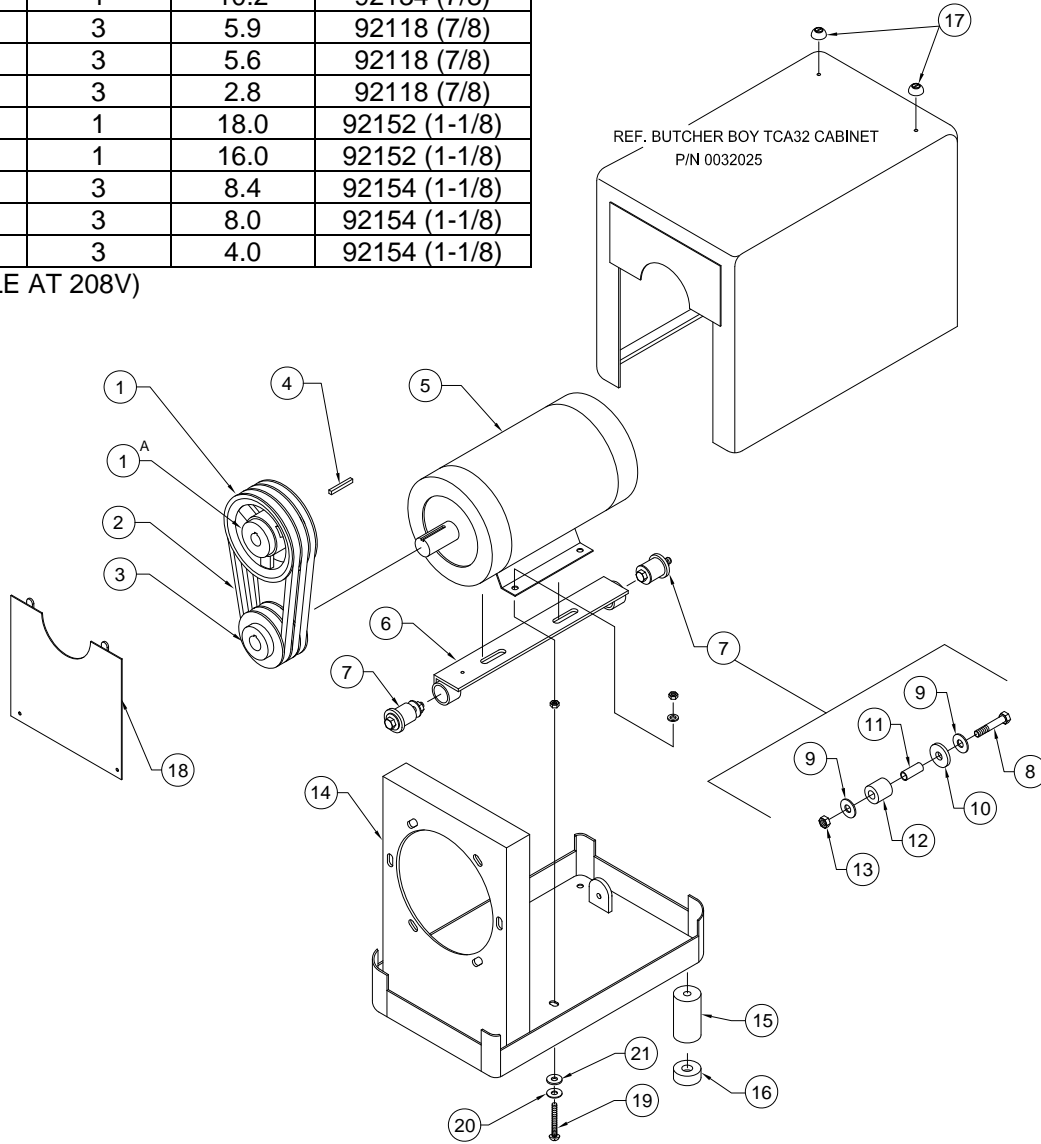
NO	PART#	DESCRIPTION	UOM
12	0090221	SNAP RING	1
13	0090410	SEAL	1
14	0095518	PLUG	1
15	0090634	PLUG	1
16	0032021	SPACER	1
17	0032019	DRIVE SHAFT	1
18	0090302	BALL BEARING	1
19	0021007	SEAL PLUG	1
20	0059248-11	KEY	1
21	0032016	GEAR BOX ASM.	1

BUTCHER BOY TCA32 COUNTER TOP GRINDER

FRAME & DRIVE

MOTORS				
HP	VOLTAGE	PHASE	FLA	PART#
2.0	115	1	20.4	92134 (7/8)
2.0	* 208	1	13.0	92134 (7/8)
2.0	230	1	10.2	92134 (7/8)
2.0	208	3	5.9	92118 (7/8)
2.0	230	3	5.6	92118 (7/8)
2.0	460	3	2.8	92118 (7/8)
3.0	* 208	1	18.0	92152 (1-1/8)
3.0	230	1	16.0	92152 (1-1/8)
3.0	208	3	8.4	92154 (1-1/8)
3.0	230	3	8.0	92154 (1-1/8)
3.0	460	3	4.0	92154 (1-1/8)

(* USABLE AT 208V)

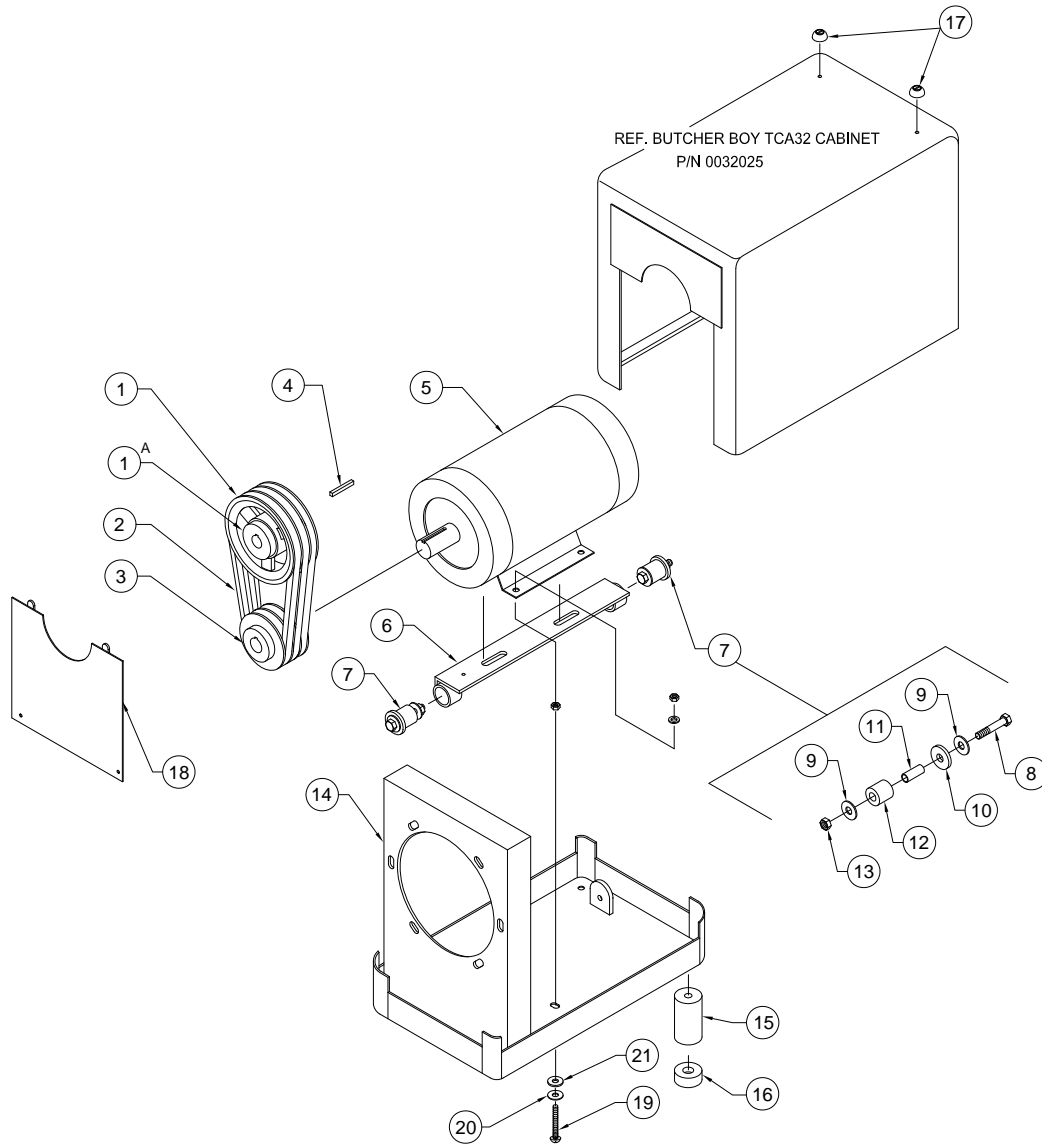


NO	PART#	DESCRIPTION	UOM	NO	PART#	DESCRIPTION	UOM
1	0032150	DRIVEN PULLEY & HUB	1	12	0021041	RUBBER BUSHING	2
1A		HUB-MUST BUY WITH PULLEY		13	HN-23-S	NUT	2
2	0090524	BELT	3	14	0032038S	BUTCHER BASE	1
3	0090193 0090199-153	MOTOR PULLEY & TAPER HUB- FOR 7/8 SHAFT	1	15	0021098	EXTENSION	4
3	0090125	MOTOR PULLEY 1-1/8 SHAFT	1	16	0021032	RUBBER FOOT	4
4		KEY FOR 7/8 SHAFT	1	17	0090631	RUBBER PAN MOUNT	2
4		KEY FOR 1-1/8 SHAFT		18	0032052	FRONT COVER PLATE	1
5	SEE BOX	MOTOR	1	19	RHSS-21-48-SS	ROUND HD SCREW	1
6	0032045S	MOTOR MOUNT SS	1	20	FW-21-SS	WASHER	1
7	0021030	RUBBER BUSHING ASSEMBLY	2	21	0090602	RUBBER WASHER	1
8	HHCS-23-32-S	SCREW	2	22	HN-21-SS	HEX NUT	1
9	FW-06-SS	WASHER	4	23	ESW-21-SS	SHAKE PROFF WASHER	1
10	0090632	RUBBER WASHER	2				
11	0010117	SLEEVE	2				

BUTCHER BOY TCA32 COUNTER TOP GRINDER

FRAME & DRIVE

3HP-230/380/460-3PH-50Hz



NO	PART#	DESCRIPTION	UOM	NO	PART#	DESCRIPTION	UOM
1	0032150	DRIVEN PULLEY & HUB	1	12	0021041	RUBBER BUSHING	2
1A		HUB-MUST BUY WITH PULLEY		13	HN-23-S	NUT	2
2	0090525	BELT	3	14	0032038S	BUTCHER BASE	1
3	0090199-154 0090199-066	50 Hz MOTOR PULLEY & TAPER HUB- FOR 1-1/8 SHAFT	1	15	0021098	EXTENSION	4
3				16	0021032	RUBBER FOOT	4
4		KEY FOR 7/8 SHAFT	1	17	0090631	RUBBER PAN MOUNT	2
4		KEY FOR 1-1/8 SHAFT	1	18	0032052	FRONT COVER PLATE	1
5	0092154-50Hz	MOTOR 3HP 230/460-3ph-50Hz	1	19	RHSS-21-48-SS	ROUND HD SCREW	1
6	0032045S	MOTOR MOUNT SS	1	20	FW-21-SS	WASHER	1
7	0021030	RUBBER BUSHING ASSEMBLY	2	21	0090602	RUBBER WASHER	1
8	HHCS-23-32-S	SCREW	2	22	HN-21-SS	HEX NUT	1
9	FW-06-SS	WASHER	4	23	ESW-21-SS	SHAKE PROFF WASHER	1
10	0090632	RUBBER WASHER	2				
11	0010117	SLEEVE	2				

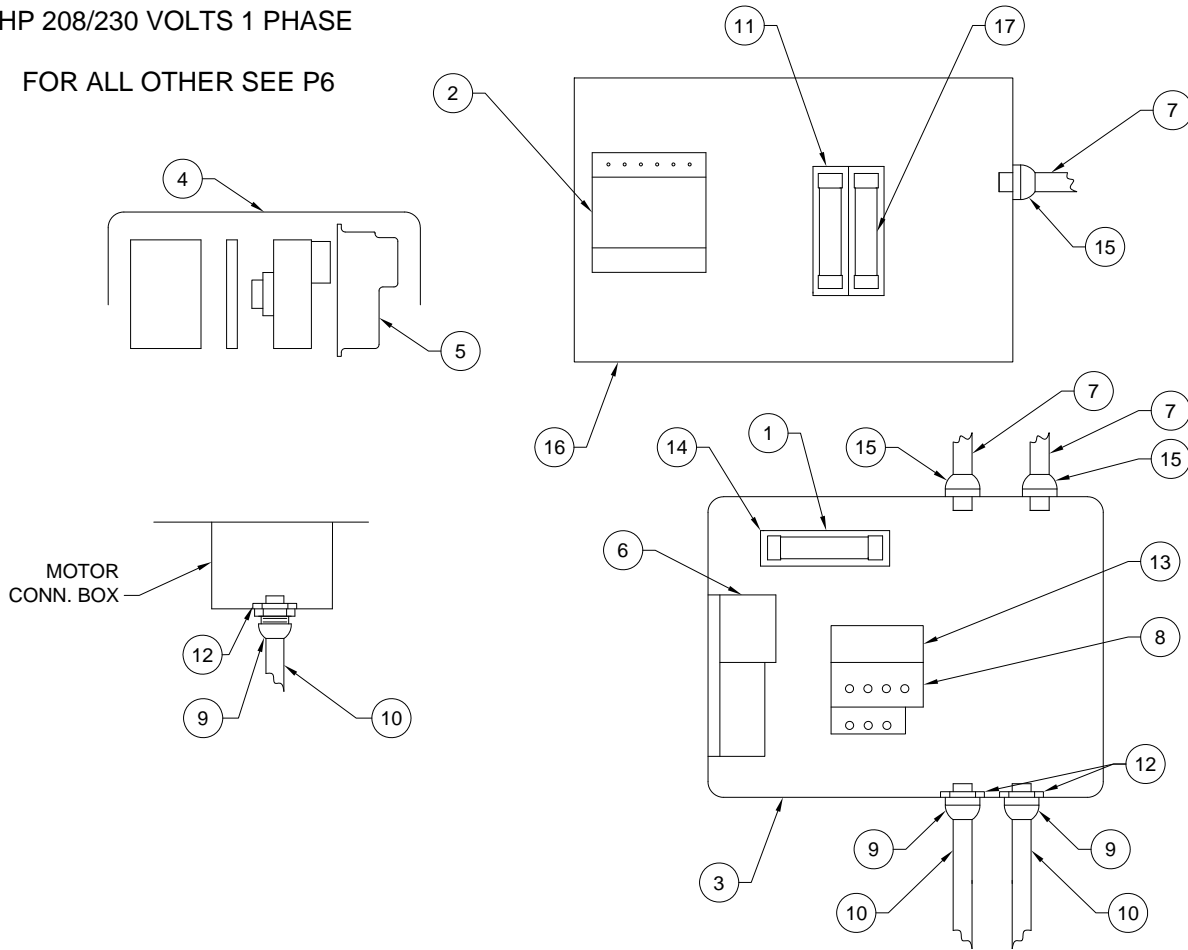
BUTCHER BOY TCA32 COUNTER TOP GRINDER

ELECTRICAL COMPONENTS

THIS PAGE FOR USE BY QUALIFIED REPAIR TECHNICIANS ONLY

FOR 2HP 115/208 VOLTS 1 PHASE
& 3HP 208/230 VOLTS 1 PHASE

FOR ALL OTHER SEE P6



NO	PART#	DESCRIPTION	UOM
1	0093999-018	FUSE (F2)	1
2	0093999-230	TRANSFORMER 230V	1
3	0093999-128J	ENCLOSURE	1
4	0093999-129	PUSH BUTTON SWITCH ASSEMBLY	1
5	0093999-130	SWITCH MEMBRANE	1
6	0093999-088	MOTOR STARTER	1
7	0093999-234	CORD	4FT
8	0093999-089	OVERLOAD (2HP 208V & 3HP 230V 1PH)	1
8	0099999-103	OVERLOAD (2HP 115V & 3HP 208V 1PH)	1
9	0093999-256	STRAIN RELIEF	3
10	0093999-292	CORD	11FT
11	0093999-024	FUSE BLOCK (F1)	1
12	0095757	LOCK NUT	3
13	0093999-298	REMOTE MOUNT	1
14	0093999-049	FUSE BLOCK (F2)	1
15	0093999-132	STRAIN RELIEF	3
16	0093999-297	ENCLOSURE	1
17	0093999-O25	FUSE (F1) (2HP, 208V, 1 PHASE)	2
17	0093999-066	FUSE (F1) (2HP, 115V & 3HP 208/230V 1 PHASE)	2

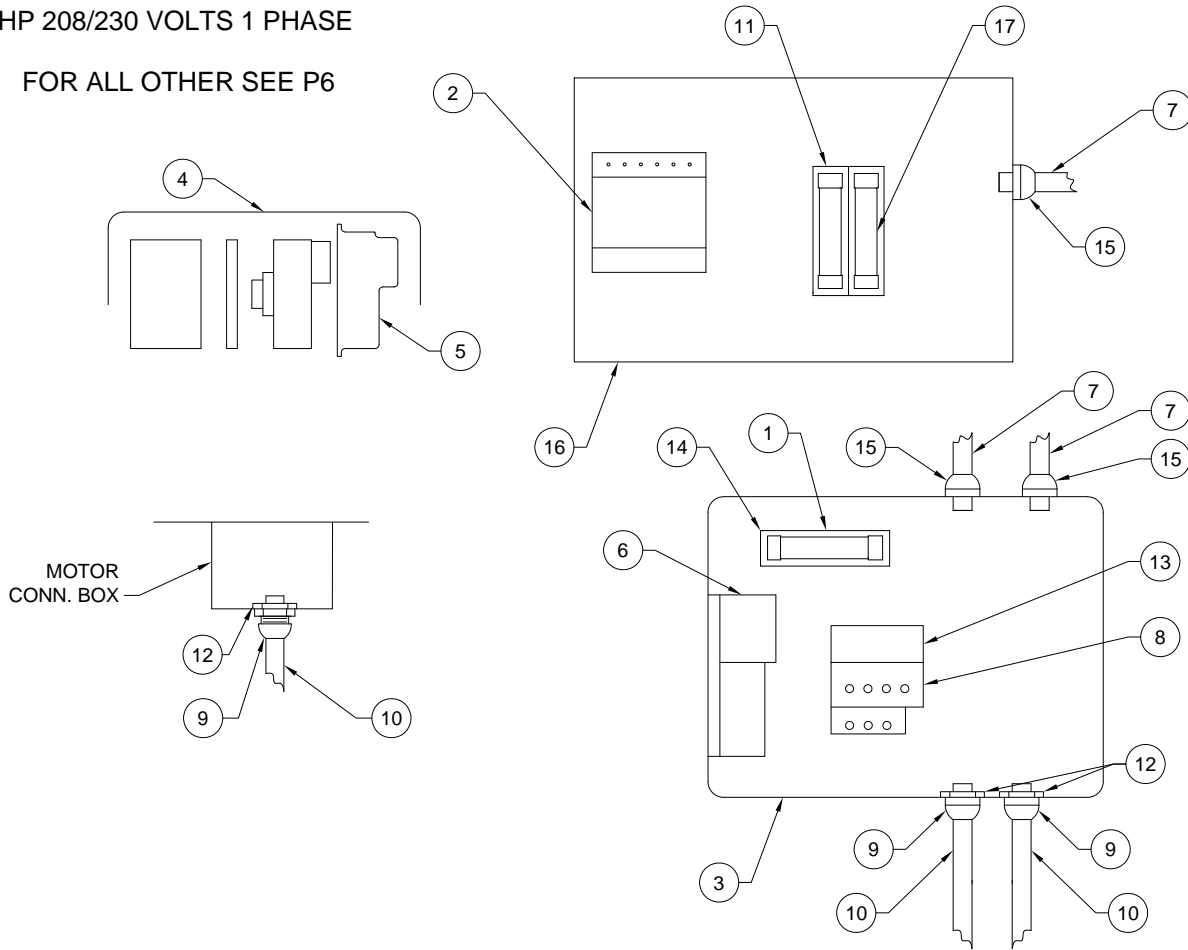
BUTCHER BOY TCA32 COUNTER TOP GRINDER

ELECTRICAL COMPONENTS

THIS PAGE FOR USE BY QUALIFIED REPAIR TECHNICIANS ONLY

FOR 2HP 115/208 VOLTS 1 PHASE
& 3HP 208/230 VOLTS 1 PHASE

FOR ALL OTHER SEE P6



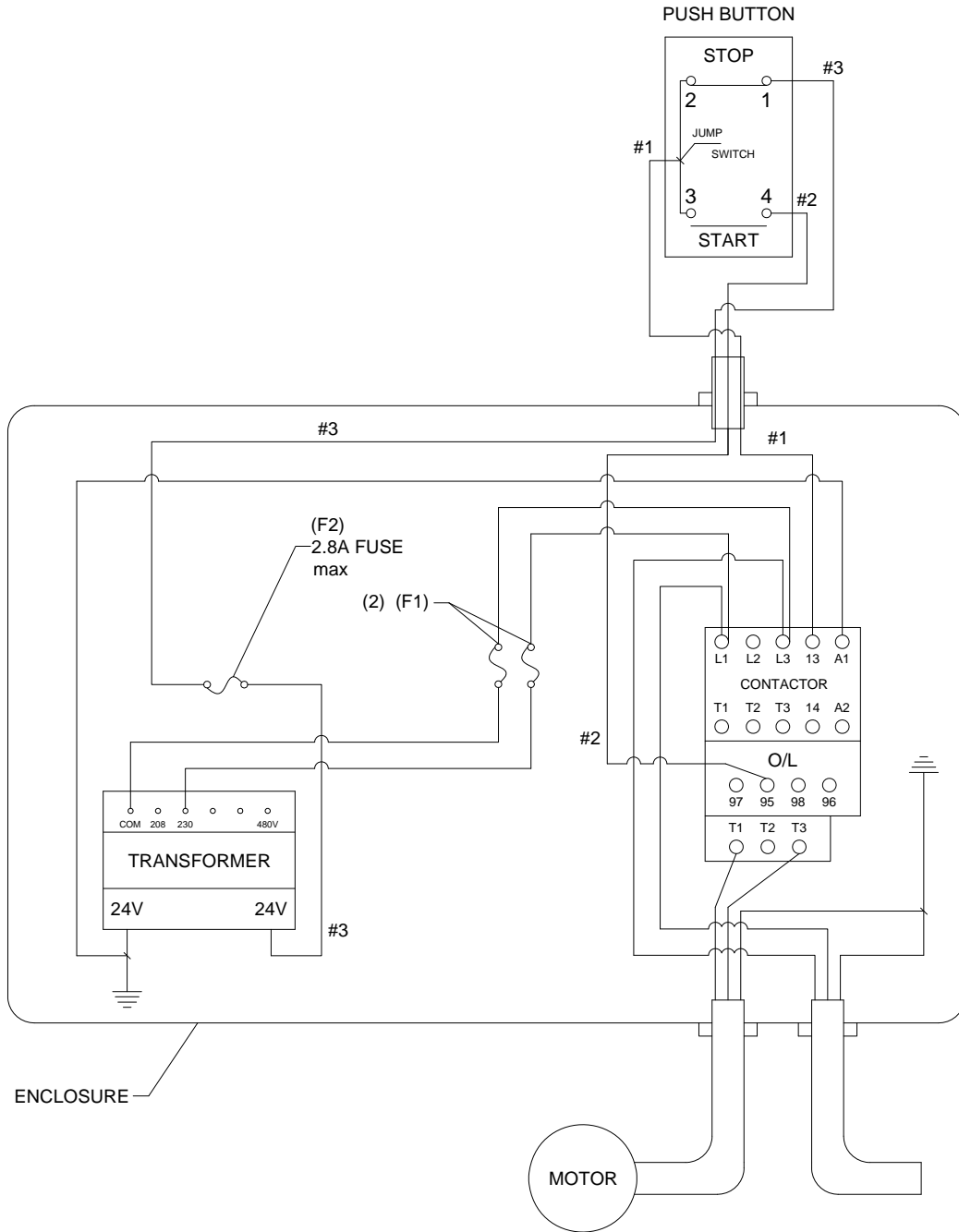
NO	PART#	DESCRIPTION	UOM
1	0093999-018	FUSE (F2)	1
2	0093999-230	TRANSFORMER 230V	1
3	0093999-128J	ENCLOSURE	1
4	0093999-129	PUSH BUTTON SWITCH ASSEMBLY	1
5	0093999-130	SWITCH MEMBRANE	1
6	0093999-088	MOTOR STARTER	1
7	0093999-234	CORD	4FT
8	0093999-089	OVERLOAD (2HP 208V & 3HP 230V 1PH)	1
8	0099999-103	OVERLOAD (2HP 115V & 3HP 208V 1PH)	1
9	0093999-256	STRAIN RELIEF	3
10	0093999-292	CORD	11FT
11	0093999-024	FUSE BLOCK (F1)	1
12	0095757	LOCK NUT	3
13	0093999-298	REMOTE MOUNT	1
14	0093999-049	FUSE BLOCK (F2)	1
15	0093999-132	STRAIN RELIEF	3
16	0093999-297	ENCLOSURE	1
16	0093999-O25	FUSE (F1) (2HP, 208V, 1 PHASE)	2
17	0093999-066	FUSE (F1) (2HP, 115V & 3HP 208/230V 1 PHASE)	2

BUTCHER BOY TCA32 COUNTER TOP GRINDER

ELECTRICAL SCHEMATICS

THIS PAGE FOR USE BY QUALIFIED REPAIR TECHNICIANS ONLY

208/230 VOLTS 1 PHASE



BUTCHER BOY TCA32 COUNTER TOP GRINDER

ELECTRICAL SCHEMATICS

THIS PAGE FOR USE BY QUALIFIED REPAIR TECHNICIANS ONLY

