

# Butcher Boy® SS16 Band Saw

**THE ULTIMATE IN SAFETY AND SANITATION!**

## Commercial Features:

- ◆ 2 Years Limited Warranty
- ◆ All stainless steel construction
- ◆ Heavy-duty, 3 HP TEFC motor
- ◆ Right or Left hand
- ◆ USDA standards
- ◆ Standard speed: 4000 FPM
- ◆ Revolutionary thickness gauge with steak guide for accurate cuts

## Sanitation:

- ◆ 100% Stainless wheels
- ◆ Sealed wheel bearings
- ◆ Removable front and rear table for easy cleaning
- ◆ Removable wheel and blade cleaner system
- ◆ Disassemble main components easily without tools
- ◆ Deep tray
- ◆ 100% Washdown

## Safety:

- ◆ 2 Hand safety start feature
- ◆ Thumb protector
- ◆ Magnetic safety switches in both wheel covers
- ◆ Lower tension handle
- ◆ Emergency stop button



**Quality  
Dependability  
Service**



**We provide  
technical support and  
service for all machines  
that we sell.**



**MPBS**  
INDUSTRIES

2820 East Washington Blvd. Los Angeles CA 90023  
323-268-8514 ◆ 323-386-4058 (fax)  
www.mpbs.com



**Since 1938**

# Butcher Boy® SS16 Band Saw

Emergency Stop Button

Tension Handle

Stainless Steel Wheels w/  
Sealed Bearings

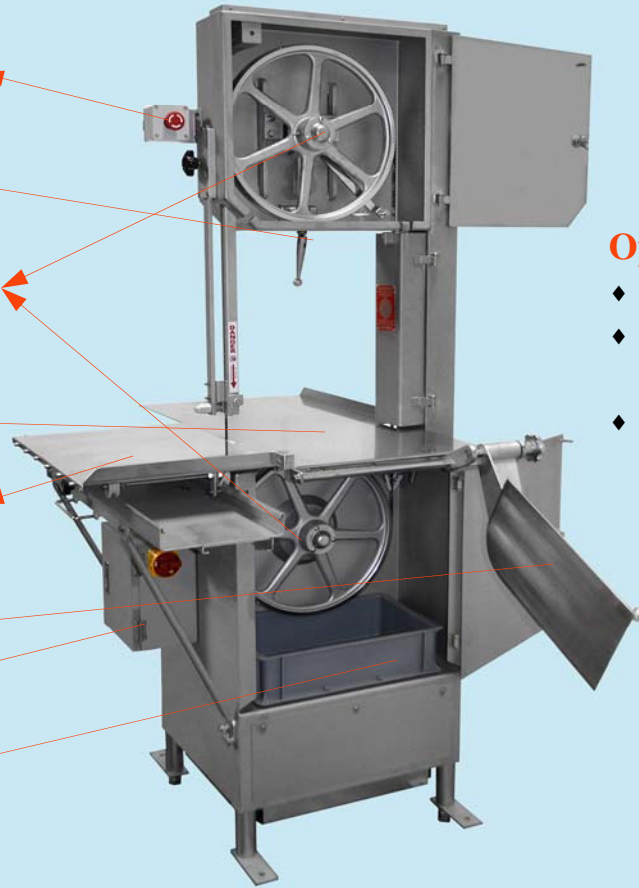
Stationary Table

Roller Table Assembly

Meat Gauge Assembly

NEMA IV Box

Scrap Box



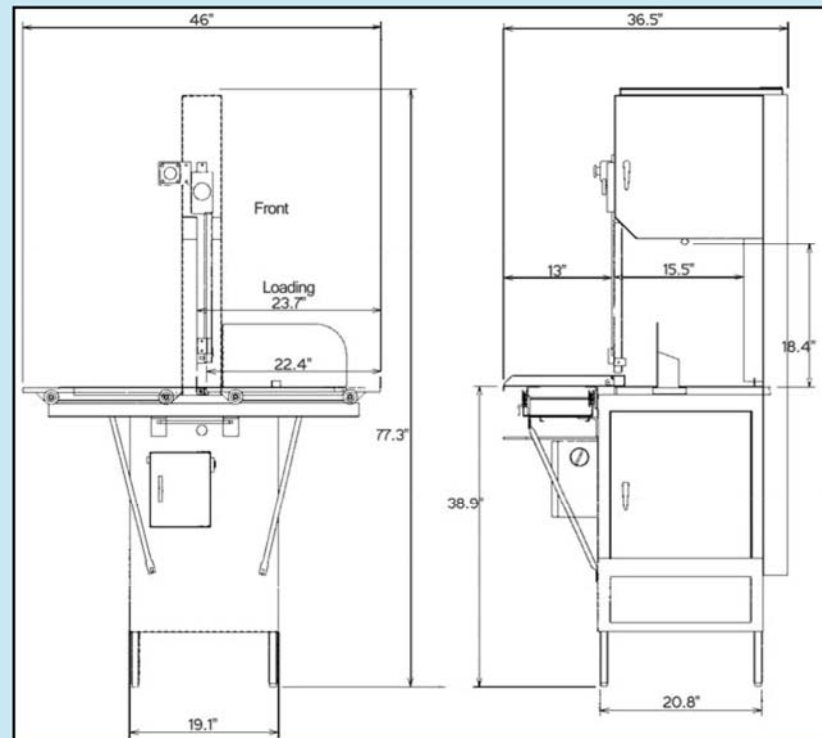
## Options:

- ◆ Electrical
- ◆ High-speed: 6,000 FPM (Allows for higher yields)
- ◆ Heavy-duty:
  - ◆ Blade-Brake feature
  - ◆ Emergency stop foot switch
  - ◆ High-speed (6,000 FPM)

## Features:

- ◆ Table lock feature
- ◆ Adjustable legs for precise leveling
- ◆ Sliding table (4 Delrin rollers)
- ◆ Blade speed: 4000 ft. per minute
- ◆ Cutting Area: 17" H x 1/4" - 15" D
- ◆ Heavy-duty, 3 HP TEFC motor
- ◆ 220 V 60 Hz 3 Ø
- ◆ Motor Controls: Starter with stop/start control box
- ◆ Weight: Net 390 lb Shipping 475 lb
- ◆ Full crating available—ask for details
- ◆ From .014 to .025 thickness 5/8" x 126" Blades

All specifications are subject to change without notice.



Commercial Food  
Preparing Machines  
E241294  
13BS



Conforms to  
NSF/ANSI 8



Butcher Boy®  
Machines

