

**B[®]
U
T
C
H
E
R
B
O
Y**

REPLACEMENT PARTS FOR

TCA 12, 22 & 32
MEAT GRINDERS
(MANUFACTURED BY "LASAR MFG.")

TCA12 S/N 121 – 1800

TCA22 S/N 207 – 7000

TCA32 S/N 246 - 7200



MADE IN USA

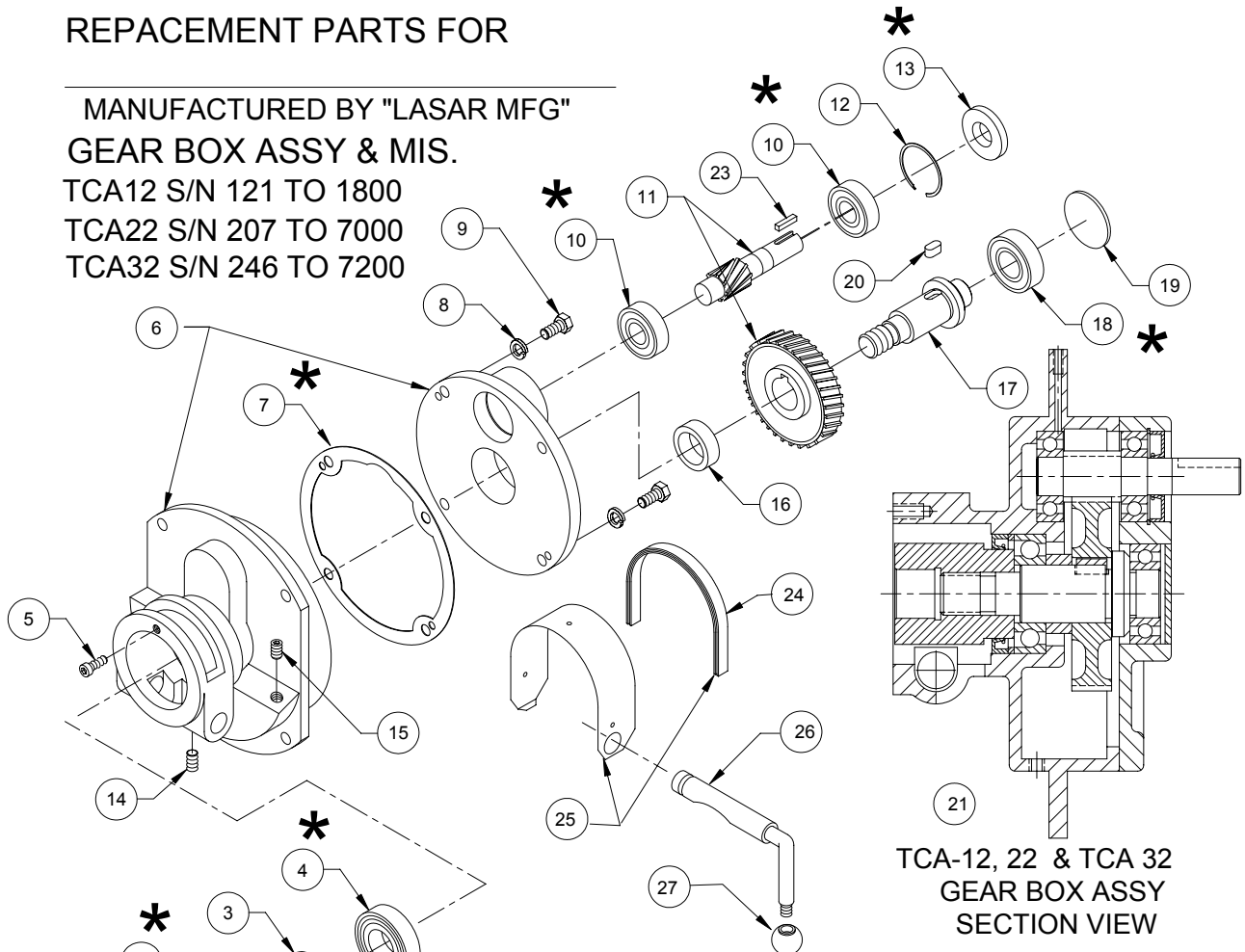
**BUTCHER BOY =
QUALITY**

DEPENDABILITY

SERVICE

REPLACEMENT PARTS FOR

MANUFACTURED BY "LASAR MFG"
 GEAR BOX ASSY & MIS.
 TCA12 S/N 121 TO 1800
 TCA22 S/N 207 TO 7000
 TCA32 S/N 246 TO 7200



COMMON TO TCA-12 & -22

2	0090409	*	SEAL	1
3	0021010		SPACER	1
4	0090308	*	THRUST BEARING	1
6	0021021		HOUSING ASSY	1
11	0021005		PINION & GEAR (SOLD AS SET)	1
16	0021011		RING	1
17	0021008		DRIVE SHAFT	1
20	0059248-10		KEY	
21	0021002		TCA12 & 22 GEAR BOX ASSY	1
22	0021095		TCA 12 & 22 REBUILD KIT	1
23	0059246-7		KEY	1

COMMON TO TCA-12, -22 & -32

1	0021006		FEED SCREW CHUCK	1
5	SHCS-21-16-SS		SCREW	1
7	0021004	*	GASKET	1
8	CFW-80-0BR		WASHER	4
9	HCS-23-16C		SCREW	4
10	0090307	*	BALL BEARING	2
12	0090221		SNAP RING	1
13	0090410	*	SEAL	1
14	0095518		PIPE PLUG	1
15	0090634		PIPE PLUG	1
18	0090302	*	BALL BEARING	1
19	0021007		PLUG	1
24	0090412		RUBBER SHIELD	
25	0021021		COLLAR & SHIELD ASSY	
26	0021022		LOCK HANDLE	
27	0090625		KNOB	

TCA-32 ONLY

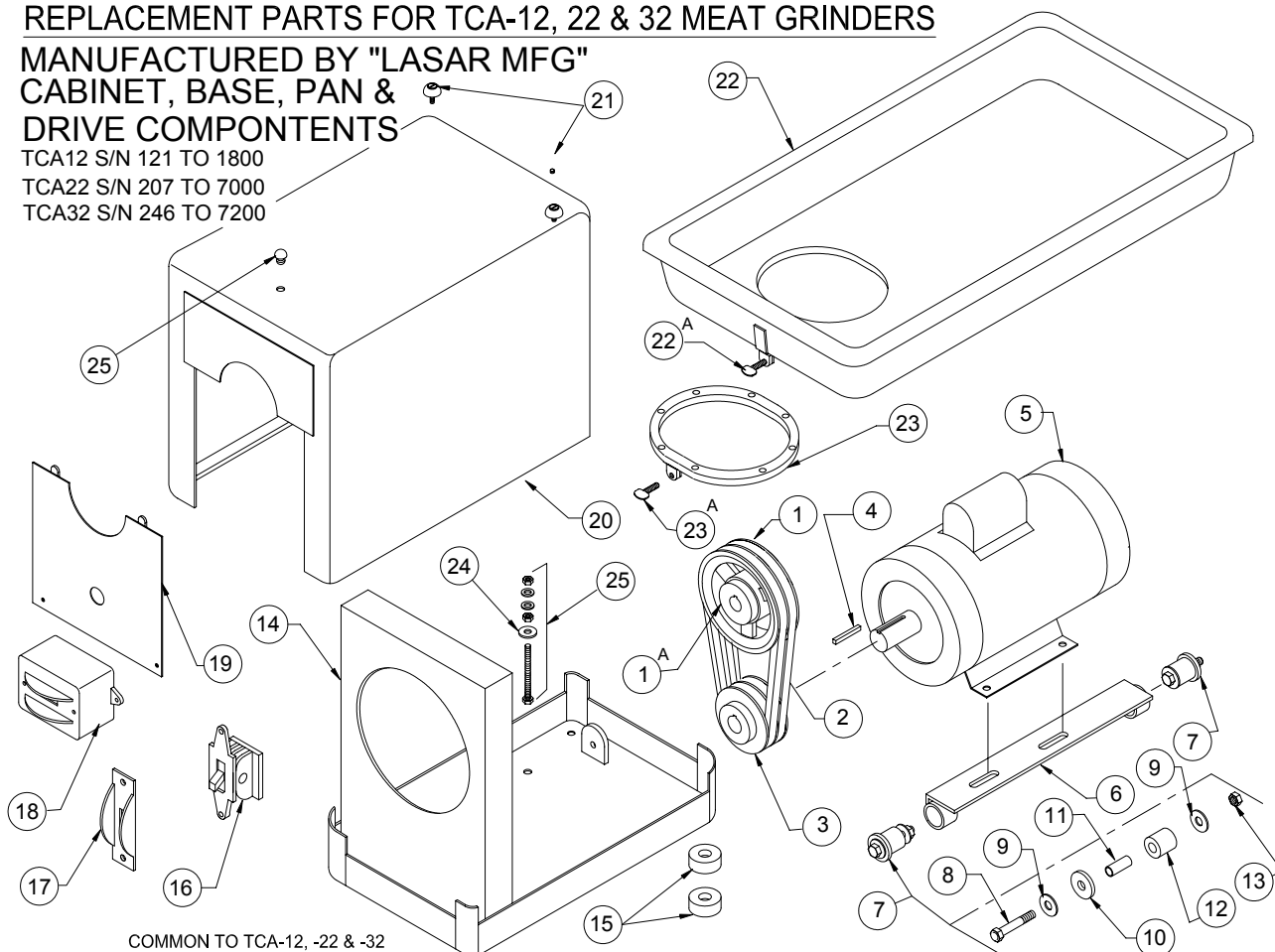
2	0090413	*	SEAL	1
3	0032020		SPACER	1
4	0090309	*	THRUST BEARING	1
6	0032015		HOUSING ASSY	1
11	0032018		PINION & GEAR (SOLD AS SET)	1
16	0032021		RING	1
17	0032019		DRIVE SHAFT	1
20	0059248-11		KEY	1
21	0032016		TCA32 GEAR BOX ASSY	1
22	0032095		TCA 32 REBUILD KIT	1
23	0059246-9		KEY	1

PART# 24, 25, 26 & 27 DO NOT COME AS PART OF GEAR BOX ASSY

REPLACEMENT PARTS FOR TCA-12, 22 & 32 MEAT GRINDERS

MANUFACTURED BY "LASAR MFG"
CABINET, BASE, PAN &
DRIVE COMPONENTS

TCA12 S/N 121 TO 1800
TCA22 S/N 207 TO 7000
TCA32 S/N 246 TO 7200



COMMON TO TCA-12, -22 & -32

ITEM#	PART#	DESCRIPTION	QTY
7	0021030	RUBBER BUSHING ASSY	2
8	HHCS-23-32S	SCREW	2
9	FW-06-SS	WASHER	4
10	0090632	RUBBER WASHER	2
11	0010117	TUBE	2
12	0021041	RUBBER BUSHING	2
13	HN-23S	NUT	2
15	0021032	RUBBER FOOT	8
16	0093020	SINGLE PHASE SWITCH	1
16	0093021	THREE PHASE SWITCH	1
17	0021024	SWITCH GUARD-2 1/4 BETWEEN HOLES	1
18	0021065	SWITCH COVER	1
22A	0012557	THUMB SCREW	1
23A	TH-23-24-SS	THUMB SCREW-FOR PAN LOCKING RING	1
24	0090602	RUBBER WASHER	1
25	0021090	TENSION BOLT ASSY	1
26	0095054	RUBBER PLUG	1

COMMON TO TCA-12 & -22

21	0090629	RUBER PAN MOUNT	2
----	---------	-----------------	---

TCA-12 ONLY

1	0090121	DRIVEN PULLEY	1
2	0090506	BELT	1
3	0090122	MOTOR PULLEY	1
4	KEY- SPECIFY MOTOR FRAME		1
5	MOTOR-SPECIFY HP,PHASE & FRAME		1
6	0012517S	TCA12 SS MOTER MOUNT	1
14	0012510S	TCA12 SS BASE	1
19	0012525	TCA12 FRONT COVER PL.	1
20	0012529	TCA12 CABINET	1
22	0021060	TCA12 PAN W/ THUMB SCR. (IF AVAILBLE)	1
23	0021020	TCA12 PAN LOCKING RING	1

ITEM#	PART#	TCA-22 ONLY DESCRIPTION	QTY
1	0090126	DRIVEN PULLEY	1
2	0090508	BELT	2
3	0090128	MOTOR PULLEY-3 PH, 7/8 B	1
3	0090166	MOTOR PULLEY-1 PH, 1 1/8 B	1
4	KEY-SPECIFY MOTOR FRAME		1
5	MOTOR-SPECIFY HP, PHASE & FRAME		1
6	0022030S	TCA22 SS MOTOR MOUNT	1
14	0022033S	TCA22 SS BASE	1
19	0022027	TCA22 FRONT COVER PL.	1
20	0022017	TCA22 CABINET	1
22	0022060	TCA22 STD PAN W/ THUMB SCREW	1
22	0021060	TCA22 SAFETY BOWL PAN (IF AVAIL)	1
23	0022015	TCA22 PAN LOCKING RING	1
23	0021020	TCA22 -PAN LOCKING RING-(SAFETY)	1

TCA-32 ONLY

1	0090124	DRIVEN PULLEY	1
1A	0090123	PULLEY HUB	1
2	0090507	BELT	3
3	0090193	MOTOR PULLEY-3 PH, 7/8 B	1
3	0090125	MOTOR PULLEY-1 PH, 1 1/8 B	1
4	KEY-SPECIFY MOTOR FRAME		1
5	MOTOR-SPECIFY HP, PHASE & FRAME		1
6	0032045S	TCA22 SS MOTOR MOUNT	1
14	0032038S	TCA22 SS BASE	1
17	0021047	SWITCH GUARD 3 5/16 BETWEENHOLES	1
19	0032054	TCA22 FRONT COVER PL.	1
20	0032025	TCA22 CABINET	1
21	0090631	RUBBER PAN MOUNT	2
22	0032060	TCA22 PAN WITH THUMB SCREW	1
23	0032043	TCA22 PAN LOCKING RING	1