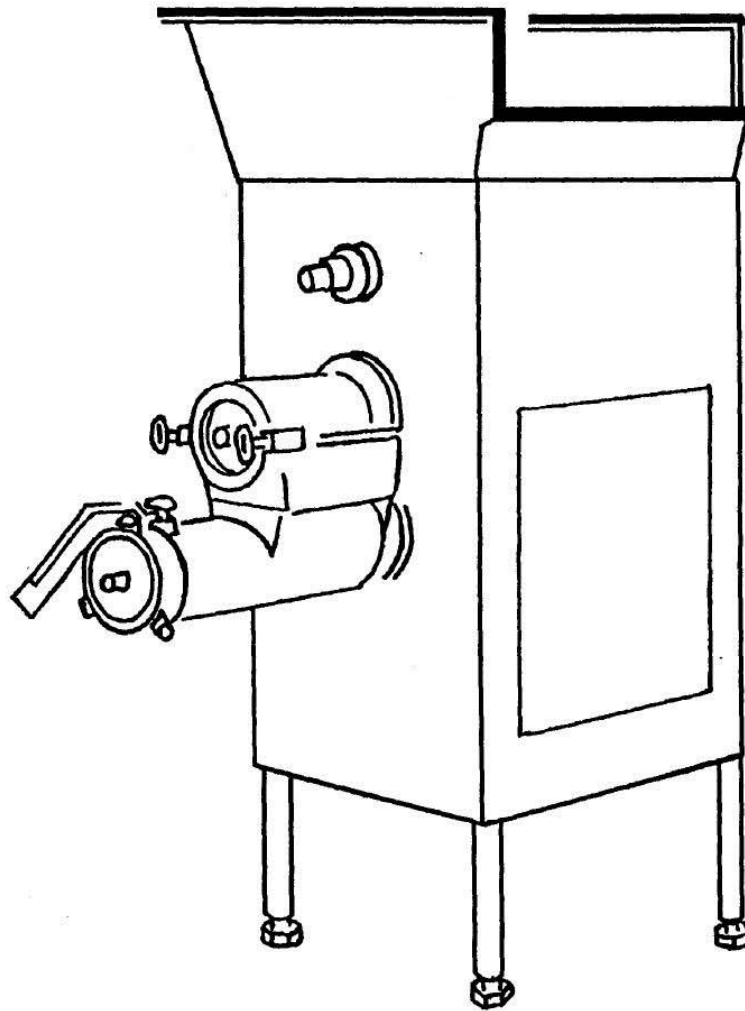


MAUNFACTURED BY "LASAR MFG."

**BUTCHER BOY**

S/N 200 - 700

**AU 56, 66F & 66S  
AUTO GRINDERS**

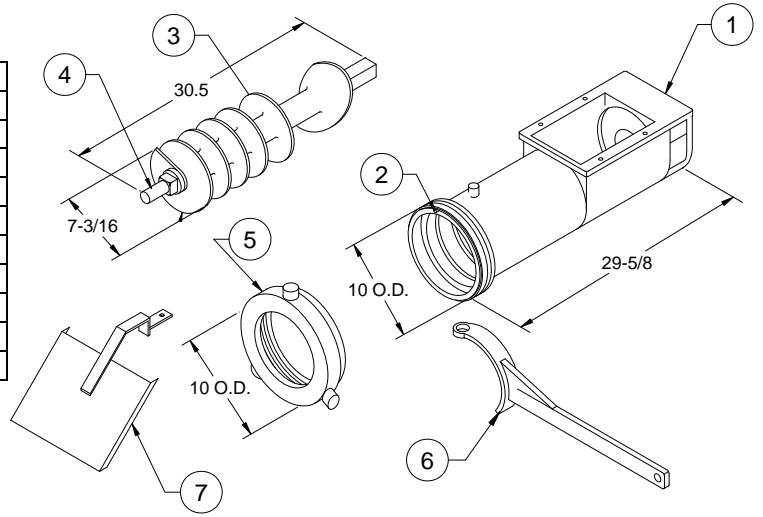


(THAT WERE MANUFACTURED BY "LASAR MFG." UNTILL 1988)  
AMERICAN MEAT EQUIPMENT CORP. HAD NO CONNECTION TO THE  
DESIGN, MANUFACTURING OR SALES OF THESE MACHINES

**MANUFACTURED BY "LASAR MFG."  
AU56, AU56F & AU66S S/N 200 - 700**

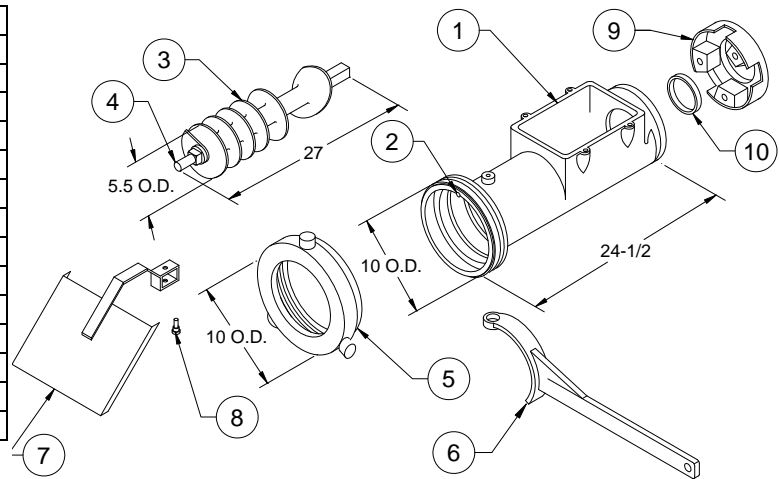
**FOR AU 66S (SUPER)**

ITEM#	PART#	DESCRIPTION	QTY
1	0061291	66 BOWL & LOCKING PIN (TIN DIP)	1
1	0061291S	66S BOWL & LOCKING PIN	1
2	DP-08-28	66 PLATE LOCKING PIN	1
3	0061289	66 FEED SCR. & STUD ASSY (TIN DIP)	1
3	0061289S	66S FEED SCR. & STUD ASSY	1
4	0061293	66S FEED SCREW STUD	1
5	0058245	66 KNIFE & PLATE RING (TIN DIP)	1
5	0058245S	66S KNIFE & PLATE RING	1
6	0058249	66 RING WRENCH	1
7	0061355	66S SPURT GUARD ASSEMBLY	1



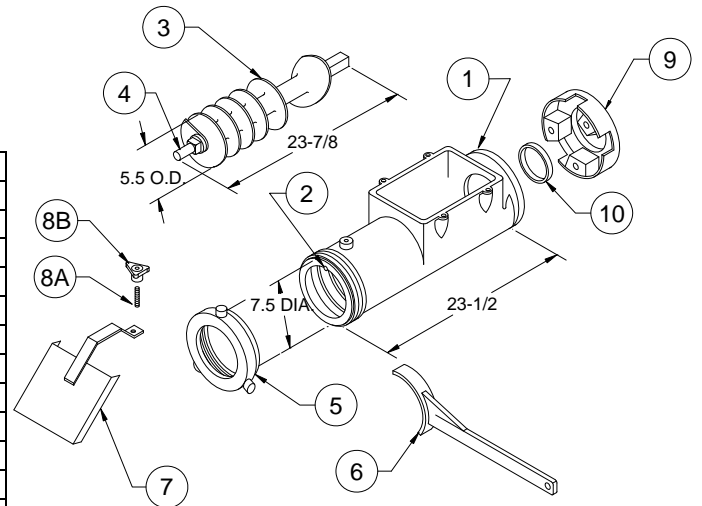
**FOR AU FLARED 56F  
(56 BARREL FLARED TO A 66 PLATE)**

ITEM#	PART#	DESCRIPTION	QTY
1	0058247	56F BOWL & LOCKING PIN (TIN DIP)	1
1	0058247S	56F SS BOWL & LOCKING PIN	1
2	DP-08-28	66 PLATE LOCKING PIN	1
3	0058251	56F FEED SCR & STUD ASSY (TIN DIP)	1
3	0058251S	56F SS FEED SCR & STUD ASSY	1
4	0058248	56F FEED SCREW STUD	1
5	0058245	56F KNIFE & PLATE RING (TIN DIP)	1
5	0058245S	56F SS KNIFE & PLATE RING	1
6	0058249	66 RING WRENCH	1
7	0061215	56F SS SPURT GUARD ASSY	1
8	0061220	56F SPURT GUARD HOLDER	1
9	0058218	56 SPACER RING W/BUSHING (TIN PL)	1
9	0058218S	56 SS SPACER RING W/BUSHING	1
10	0058219	BUSHING 56 SPACER RING	1

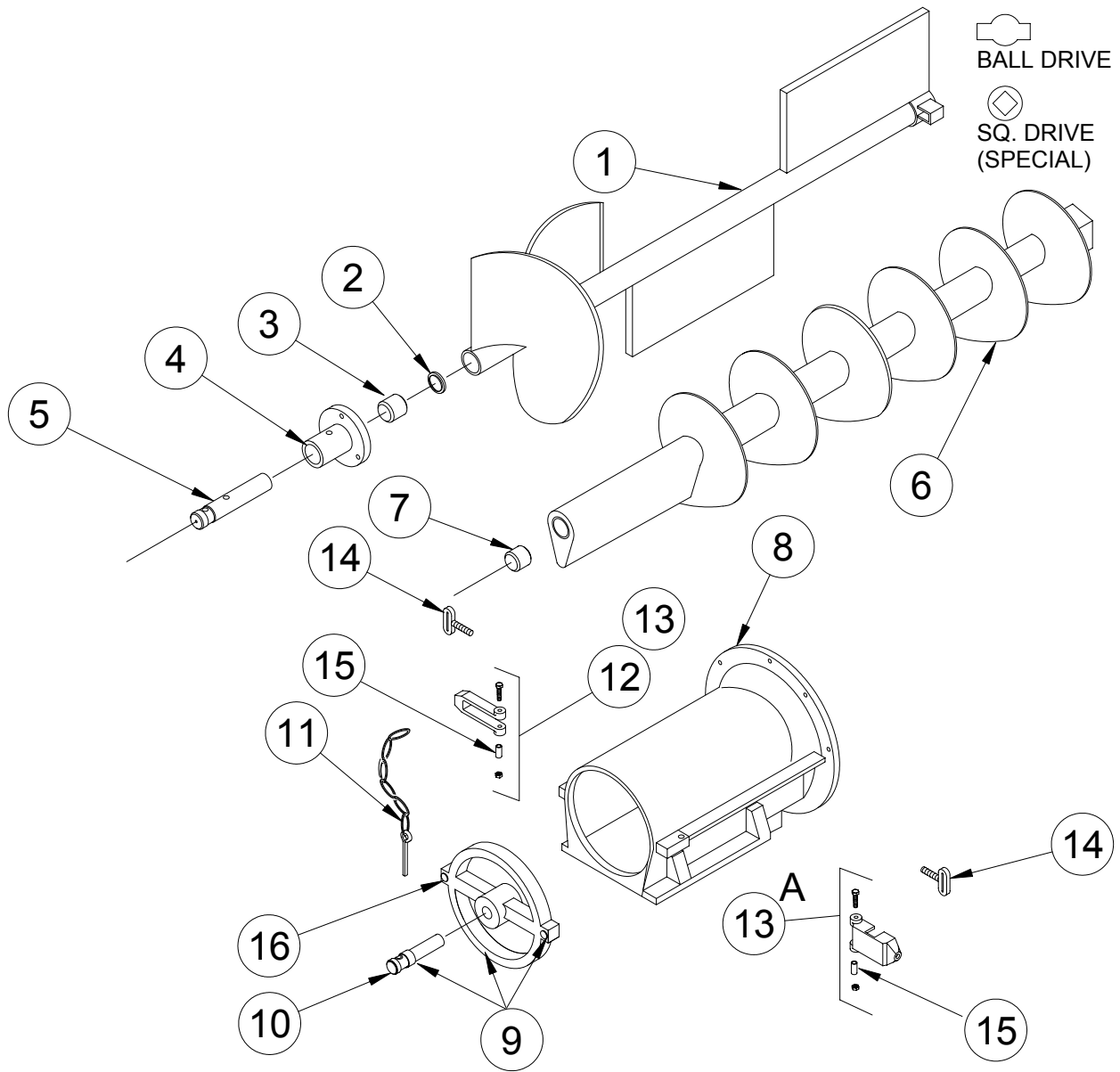


**FOR AU56 STD**

ITEM#	PART#	DESCRIPTION	QTY
1	0057100	56 BOWL & LOCKING PIN (TIN DIP)	1
1	0057100S	56S BOWL & LOCKING PIN	1
2	DP-06-24	56 PLATE LOCKING PIN	1
3	0057181	56 FEED SCR. & STUD ASSY (TIN DIP)	1
3	0057181S	56S FEED SCR. & STUD ASSY	1
4	0059144	56S FEED SCREW STUD	1
5	0059108	56 KNIFE & PLATE RING (TIN DIP)	1
5	0059108S	56S KNIFE & PLATE RING	1
6	0059233	56 RING WRENCH	1
7	0059305	56S SPURT GUARD ASSEMBLY	1
8A	0059223	56 SS SPURT GUARD STUD	1
8B	0059224	56 SS SPURT GUARD HAND WHEEL	1
9	0058218	56 SPACER RING W/BUSHING (TIN DIP)	1
9	0058218S	56 SS SPACER RING W/BUSHING	1
10	0058219	BUSHING 56 SPACER RING	1

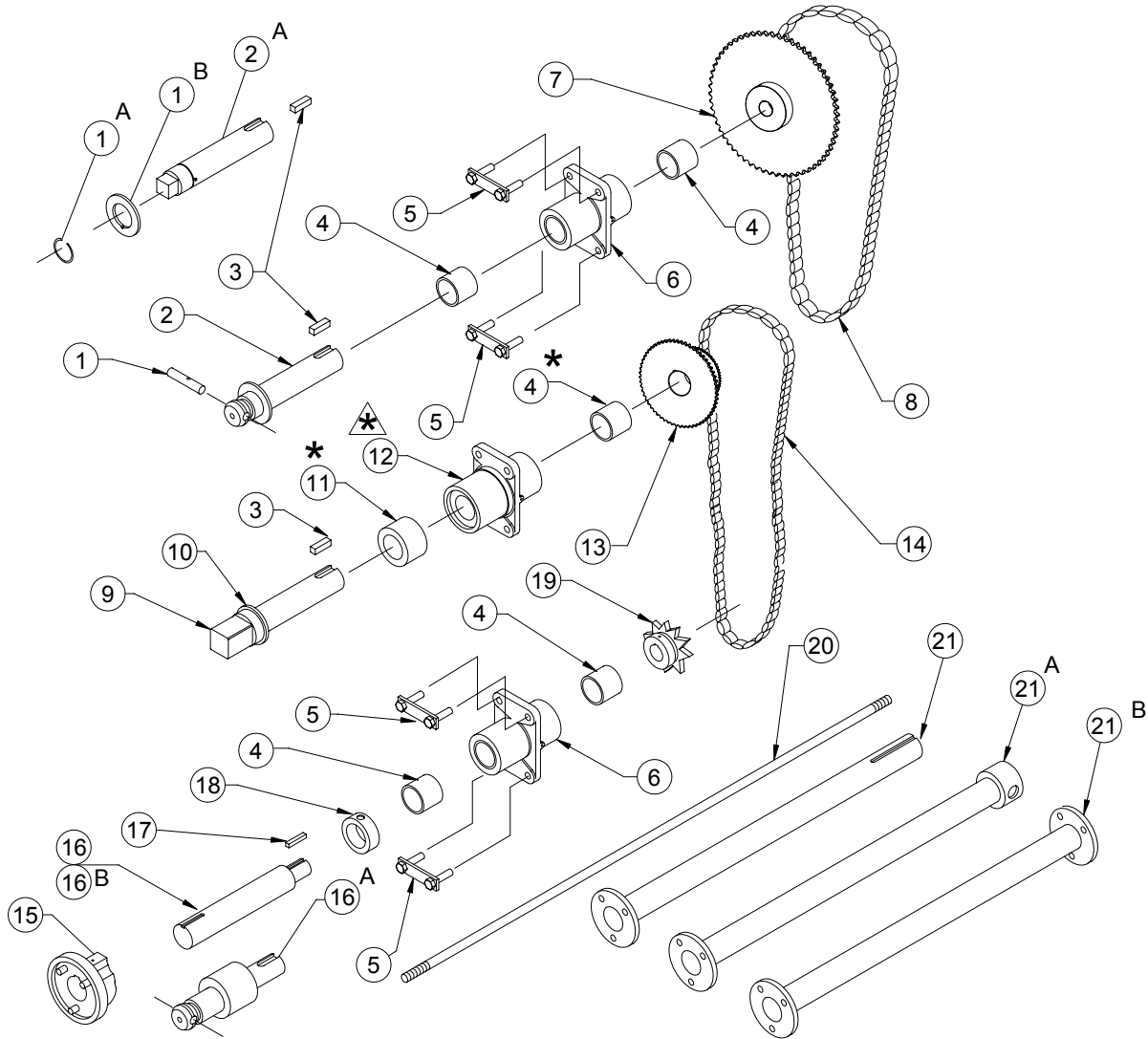


**MANUFACTURED BY "LASAR MFG."**  
**AGITATOR & CONVEYOR ASSY W/FEED BOX & COVER**  
**COMMON TO AU56, 56F & 66S S/N 200 - 700**



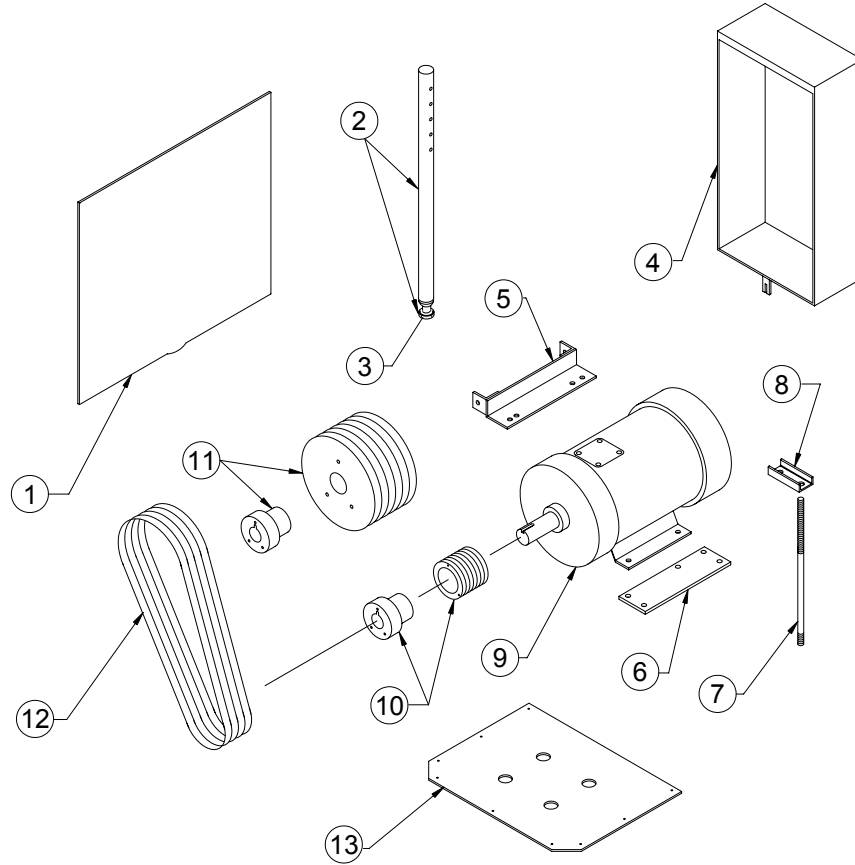
ITEM#	PART#	DESCRIPTION	QTY	ITEM#	PART#	DESCRIPTION	QTY
1	0058370	AGITATOR W/BUSH BALL DRIVE	1	9	0058100S	SS COVER & SHAFT FEED BOX	1
1	0058310	AGITATOR W/BUSH SQ. DRIVE	1	10	0060141	FRONT SHAFT FEED BOX	1
2	0059224	PLUG AGITATOR	1	11	0026547	PIN & CHAIN ASSY	1
3	0059373	NYLON BUSHING AGITATOR	1	12	0059148	SWING CLAMP LH	1
4	0058116	FRONT BRACKET AGITATOR	1	13	0059148	SWING CLAMP RH	1
5	0058117	FRONT SHAFT AGITATOR	1	13A	0043560	SAFETY SWING CLAMP RH	1
6	0058303	CONVEYOR ASSY W/BUSH	1	14	0059158	THUMB SCREW	1
7	0058436	NYLON BUSHING CONVEYOR	1	14	0059158S	SS THUMB SCREW	1
8	0058220S	SS FEED BOX	1	15	0059149	BUSHING SWING CLAMP	1
8	0058220	FEED BOX ALUM	1	16	0059193S	COVER RIVET	1

**MANUFACTURED BY "LASAR MFG."  
DRIVE COMPONENTS FOR  
AU56, AU56F & AU66S S/N 200 - 700**



ITEM#	PART#	DESCRIPTION	QTY	ITEM#	PART#	DESCRIPTION	QTY
1	0045048	DRIVE PIN (BALL DRIVE ONLY)	1	13	0058312	DOUBLE SPROCKET ASSY S/N 517-700	1
1A	0090206	RETAINING RING (SQ. DRIVE ONLY)	1	14	0091134	LOWER CHAIN ASSY STD 56 & 66F	1
1B	0058163	SPACER WASHER (SQ. DRIVE ONLY)	1	14	0091135	LOWER CHAIN ASSY SUPPER 66	1
2	0058381	UPPER DRIVE SHAFT (BALL DRIVE)	1	15	0058261	DRIVE FLANGE S/N 200-243 & 313-700	1
2	00581545	UPPER DRIVE SHAFT (SQ. DRIVE)	1	16	0058253	LOWER DRIVE SHAFT S/N 200-243	1
3	0059249-4	KEY	2	16A	0058254A	LOWER DRIVE SHAFT S/N 244-312	1
4	0090703	BUSHING (2) FOR #6 (1) FOR #12	5	16B	0058265	LOWER DRIVE SHAFT S/N 313-700	1
5	0058114	UPPER & LOWER STUD PLATE ASSY	4	17	0058247-7	KEY	1
6	0058174	UPPER & LOWER REAR BRKT. W/(2) #4	2	18	0090622	COLLAR	1
7	0091010	UPPER SPROCKET	1	19	0091013	LOWER SPROCKET STD 56 & 66F	1
8	0091106	UPPER CHAIN ASSY	1	19	0091013	LOWER SPROCKET 66S	1
9	0058269	MIDDLE DRIVE SHAFT W/ #10	1	20	0058316	TIE BAR	1
10	0060188	THRUST WASHER FOR #9	1	21	0058048	DRIVE COUPLING TUBE ASSY S/N 200-243	1
11	0058272	THRUST BEARING	1	21A	0058256	DRIVE COUPLING TUBE ASSY S/N 244-312	1
12	0058175	MIDDLE BEARING BRKT W/ #4 & #11	1	21B	0058263	DRIVE COUPLING TUBE ASSY S/N 313-700	1
13	0058112	DOUBLE SPROCKET ASSY S/N 101-516	1				

**MANUFACTURED BY "LASAR MFG."  
MOTOR PULLEYS & MISC FOR  
AU56, AU56F & AU66S S/N 200 - 700**

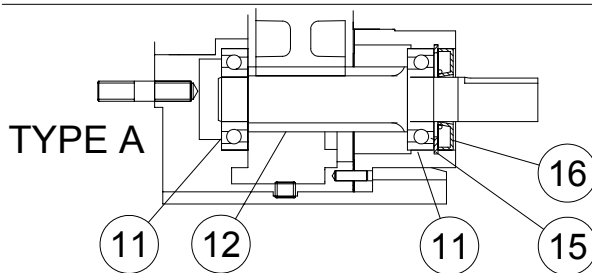
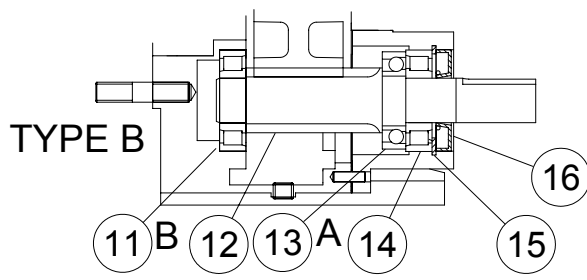
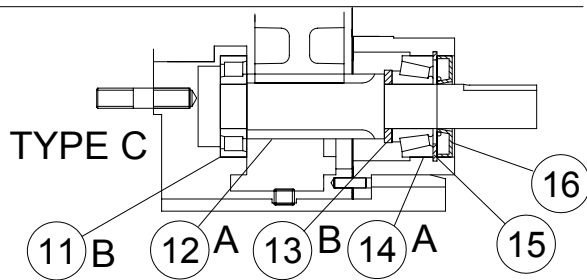
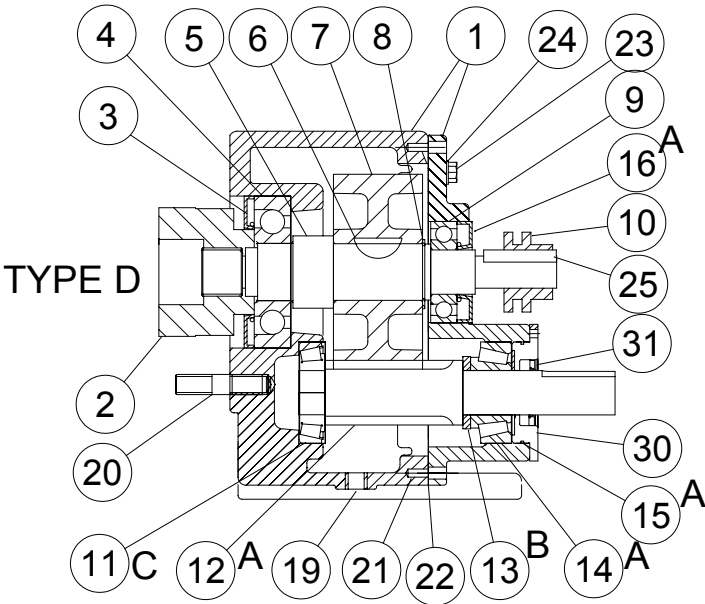
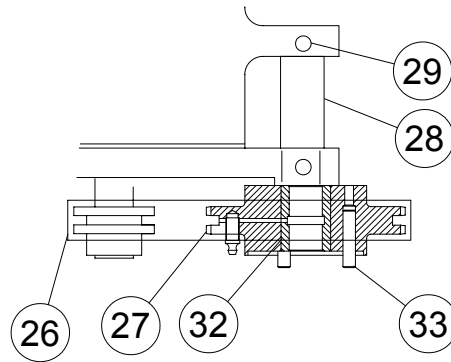


ITEM#	PART#	DESCRIPTION	QTY	ITEM#	PART#	DESCRIPTION	QTY
1	0058290	SIDE COVER	2	9	0092327	25HP MOTOR 23-460V 3PH ODP	1
2	0059226	LEG ASSY W/ INSERT & FOOT	4	9	0092345	30HP MOTOR 230-460V 3PH ODP	1
3	0059390	INSET & FOOT ASSY	4	9	0092349	40HP MOTOR 230-460V 3PH ODP	1
4	0058280	CHAIN COVER ASSY	1	10	0058406	DRIVE PULLEY & HUB STD 56 & 56F	1
5	0058125	MOTOR BASE ASSY 20, 25 & 30HP	1	10	0058407	DRIVE PULLEY & HUB SUPER 66	1
6	0060325	MOTOR BASE ASSY 40HP	1	11	0058405	DRIVEN PULLEY & HUB	1
7	0060139	BELT TENSION ROD ASSY	2	12	0090505	BELT	6
8	0060156	ROD EXTENSION	2	13	0058521	BOTTOM COVER	2
9	0092322	25HP MOTOR 200V 3PH ODP	1				

ITEM 18		ITEM 19		ITEM 20		ITEM 21		ITEM 22		ITEM 23
MOTOR		MOTOR PULLEY		MOTOR HUB		BELT	QTY	DRIVEN PULLEY		MOTOR MT
PART#		PART#		PART#		PART#		PART#		PART#
0092186	5HP, 3P	0090199-107	3GR	0090176	0090519	3	0090110	3GR	0040109	
0092185	5HP, 1PH	0090199-107	3GR	0090176	0090519	3	0090110	3GR	0040109	
0092230	7.5HP, 3PH	0090199-107	3GR	0090142	0090519	3	0090110	3GR	0040100	
00902229	7.5HP, 1PH	0090199-107	3GR	0090142	0090518	3	0090110	3GR	0040105	
0092257	10HP, 3PH	0090108	4GR	0090149	0090519	4	0090111	3GR	0040100	
0092287	15HP, 3PH	0090108	4GR	0090172	0050518	4	0090111	3GR	0040205	

**MANUFACTURED BY "LASAR MFG."  
 GEAR BOX ASSY 0058230A AU56, AU56F  
 & 0061509A AU66S S/N 200 - 700**

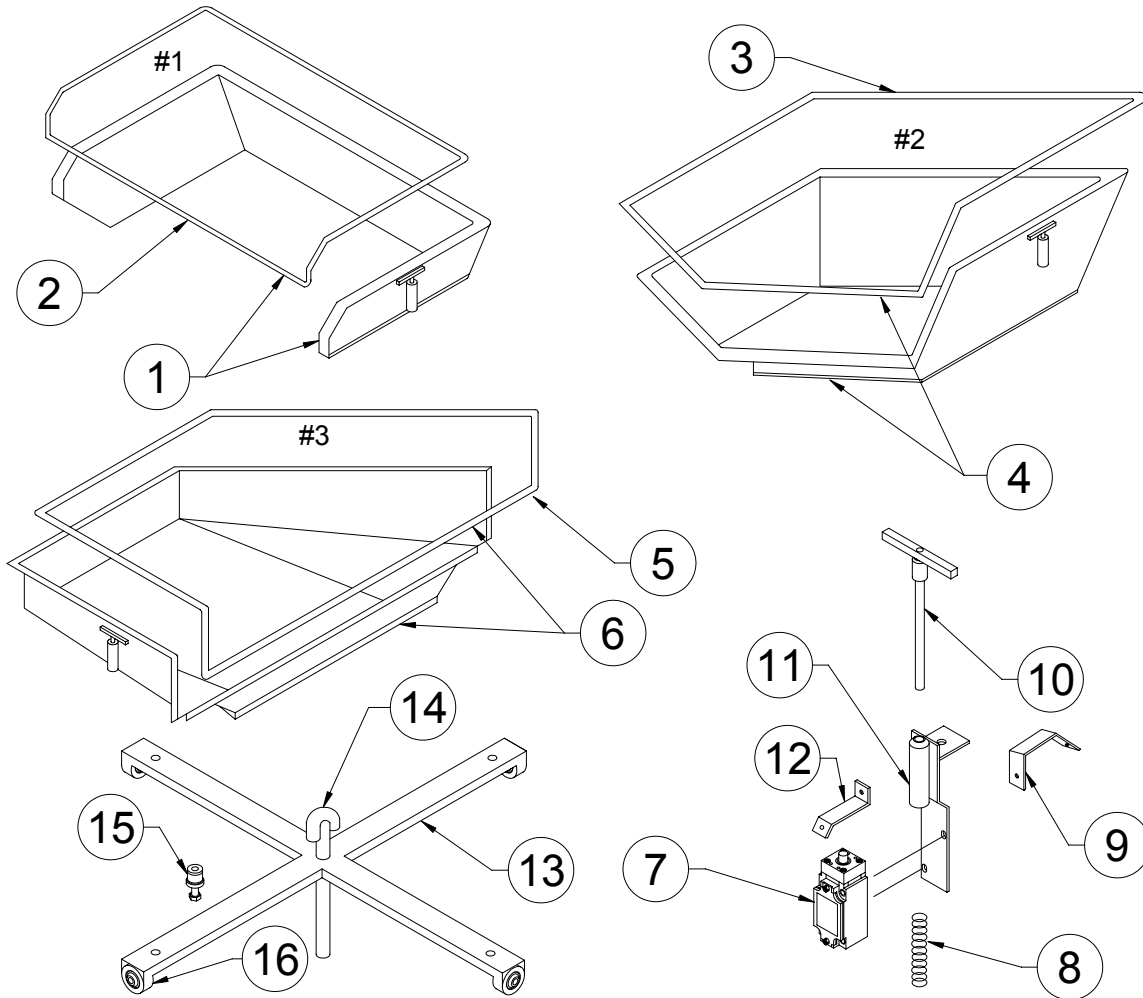
**TYPE D GEAR BOX ASSY  
 SHOWN BELOW IS  
 REPLACEMENT FOR TYPE  
 A,B, & C**



ITEM#	PART#	DESCRIPTION	QTY
1	0058240	GEAR HOUSING & LID ASSY	1
2	0058222	56 FEED SCREW CHUCK	1
2	0061303-CS	66S FEED SCREW W/CHUCK	
3	0090407	SEAL	1
4	0090312	THRUST BEARING	1
5	0058223	SHAFT	1
6	0090607	WOODRUFF KEY	1
7	0058025-J	GEAR WHEEL (SOLD WITH ITEM 12 & 12A)	1
8	0090235	RETAINING RING	1
9	0090306	BALL BEARING	1
10	0091014	CHAIN SPROCKET	1
11	0090306	BALL BEARING	1
11B	0090319	ROLLER BEARING	1
11C	0058527	TAPER BEARING ASSY	1
12	0058026	PINION (SOLD WITH ITEM 7)	1
12A	0060132	PINION (SOLD WITH ITEM 7)	1
13A	0090316	BALL BEARING	1
13B	0060133	SPACER	1
14	0090319	ROLLER BEARING	1
14A	0090340	TAPER ROLLER BEARING	1
15	0090207	RETAINING RING	1
15A	0090482	O-RING	1
16	0090408	SEAL	1
16A	0090408	SEAL	1
17	0090624	1/2" X 45° STREET ELBOW	1
18	0090623	1/2" PIPE PLUG	1
19	0095159	3/8" C'SK SOC PIPE PLUG	1
20	0058231	STUD (STD 56 & 66S)	3
20	0061508	STUD (SUPPER 66)	3
21	DP-05-16-N	DOWEL PIN Ø5/16 X 1" LG	2
22	0059095	GASKET	1
23	SLW-06-N	LOCK WASHER	6
24	HHCS-23-20-N	HEX HD CAP SCREW	6
25	0059247-8	KEY	1
26	0091107	DOUBLE CHAIN	1
27	0058045	SPROCKET ASSY	1
28	0058083	JACK SHAFT	1
29	SHSS-23-08-SS	SOC HD SET SCREW	2
30	0058526	END CAP	1
31	0090481	SEAL	1
32	0090704	BUSHING	1
33	DP-06-28	DOWEL PIN	3

**NOTE: TYPE A,B, & C SHOW THE PINION GEAR With the DIFFERENT TYPES OF BEARINGS , SEALS & MISC. PARTS USED ON EARLIER MODEL MANUFACTURED BY "LASAR MFG" ALL OTHER PARTS ARE SAME AS SHOWN ON TYPE D**

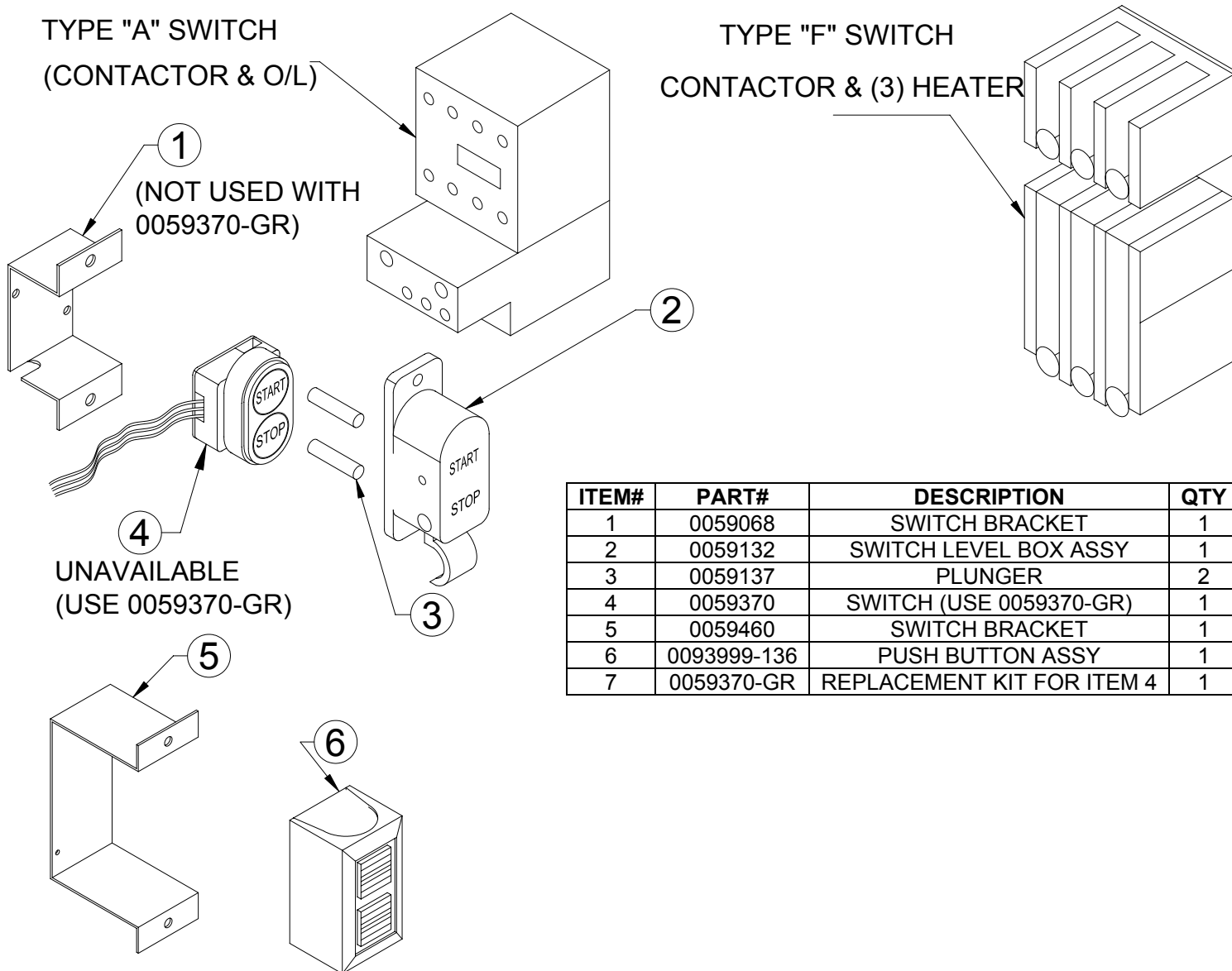
**MANUFACTURED BY "LASAR MFG."  
HOPPERS & COMPONENTS FOR  
AU56, 56F & 66S S/N 200 - 700**



ITEM#	PART#	DESCRIPTION	QTY	ITEM#	PART#	DESCRIPTION	QTY
1	0058420	#1 HOPPER & RAIL ASSY	1	9	0058432	BRACKET FOR #2 HOPPER	1
*2	0058425	SAFETY RAIL #1 HOPPER	1	10	0043360	SAFETY PIVOT PIN ASSY	1
*3	0058415	SAFETY RAIL #2 HOPPER	1	11	0043385	TENSION TUBE ASSY	1
4	0058421	#2 HOPPER & RAIL ASSY	1	12	0043342	BRACKET FOR #1 HOPPER	1
5	0058430	SAFETY RAIL #3 HOPPER	1	13	0058390	ROTARY BASE ASSY & COMP	1
*6	0058422	#3 HOPPER & RAIL ASSY	1	14	0058391	PIVOT PIN	1
7	0093271	LIMIT SWITCH	1	15	0059392	ADJUSTING HOLD DOWN BOLT	4
8	0043341	SPRING	1	16	0095035	CASTERS	4

\* ITEM 2, 3 & 6 CAN ONLY BE REPLACED IF HOPPER IS SENT TO A.M.E.C.

**MANUFACTURED BY "LASAR MFG."  
ELECTRICAL COMPONENTS FOR  
AU56, 56F & 66S S/N 200 - 700**

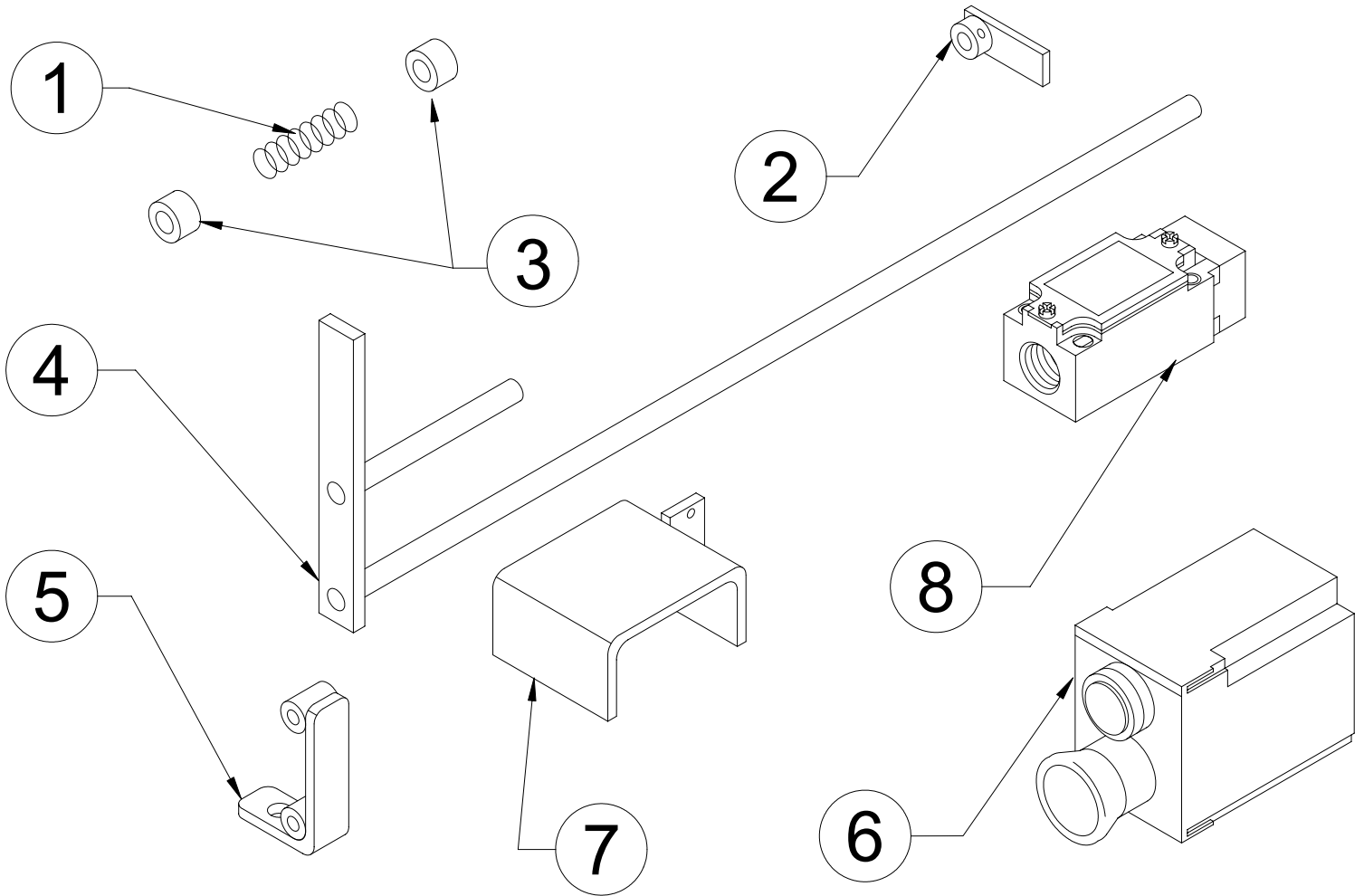


ITEM#	PART#	DESCRIPTION	QTY
1	0059068	SWITCH BRACKET	1
2	0059132	SWITCH LEVEL BOX ASSY	1
3	0059137	PLUNGER	2
4	0059370	SWITCH (USE 0059370-GR)	1
5	0059460	SWITCH BRACKET	1
6	0093999-136	PUSH BUTTON ASSY	1
7	0059370-GR	REPLACEMENT KIT FOR ITEM 4	1

CHART G26					"F" TYPE		"A" TYPE
20HP	PH	VOLTAGE			G26	"H"	ALTERNATE TO "F" TYPE
		460	230	208			
20HP	3	26.0			93003	E66	93658
			52.0		93004	E76	93662
				59.0	93004	E78	93664
25HP	3	34.0			93304	E73	93660
			68.0		93090	E94	93916
30HP	3	38.0			93306	E76	93660
			76.0		93090	E96	93916



**MANUFACTURED BY "LASAR MFG."  
SAFETY SHUT OFF ARM ASSY FOR  
AU56, 56F & 66S S/N 200 - 700**



ITEM#	PART#	DESCRIPTION	QTY
1	0010802	SPRING	1
2	0043595	REAR SHUT OFF BAR ASSY	1
3	0095006	COLLAR	2
4	0058470	SHUT OFF ARM ASSY (56)	1
4	0058455	SHUT OFF BAR ASSY (66S)	1
5	0058465	SHUT OFF BRACKET ASSY (56)	1
5	0058460	SHUT OFF BRACKET ASSY (66S)	1
6	0093285	START STOP PUSH BUTTON	1
7	0043575	SHUT OFF CHANNEL ASSY	1
8	0093271	MICRO SWITCH	1