

**B[®]
U
T
C
H
E
R
B
O
Y**

AU56/56F/66S STAINLESS STEEL AUTOMATIC FEED MEAT GRINDER

**S/N 00A0022 – ON
OPERATING INSTRUCTIONS AND PARTS LIST**



MADE IN USA

**BUTCHER BOY =
QUALITY**

DEPENDABILITY

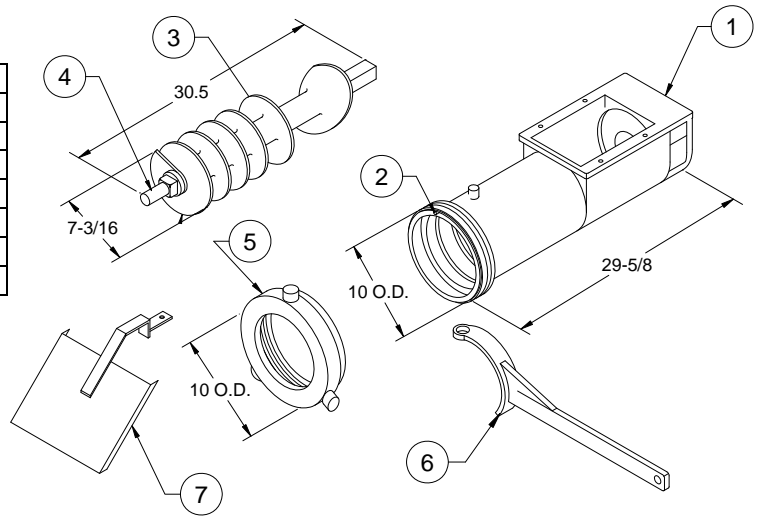
SERVICE

STAINLESS STEEL CUTTING GROUP

AU56, AU56F & AU66S S/N 00A0022 - ON

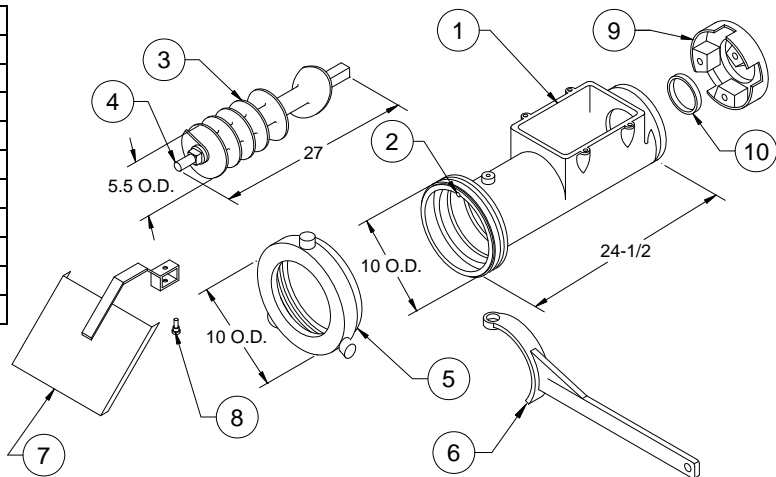
FOR AU 66S (SUPER)

ITEM#	PART#	DESCRIPTION	QTY
1	0061291S	66S SS BOWL & LOCKING PIN	1
2	DP-08-28	66 PLATE LOCKING PIN	1
3	0061289S	66S SS FEED SCR. & STUD ASSY	1
4	0061293	66S SS FEED SCREW STUD	1
5	0058245S	66S SS KNIFE & PLATE RING	1
6	0058249	66 RING WRENCH	1
7	0061355	66S SS SPURT GUARD ASSEMBLY	1



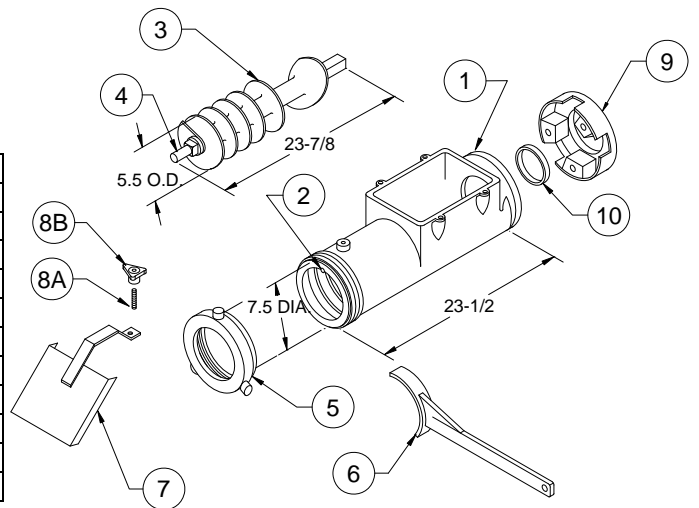
FOR AU FLARED 56F (56 BARREL FLARED TO A 66 PLATE)

ITEM#	PART#	DESCRIPTION	QTY
1	0058247S	56F SS BOWL & LOCKING PIN	1
2	DP-08-28	66 PLATE LOCKING PIN	1
3	0058251S	56F SS FEED SCR & STUD ASSY	1
4	0058248	56F FEED SCREW STUD	1
5	0058245S	56F SS KNIFE & PLATE RING	1
6	0058249	66 RING WRENCH	1
7	0061215	56F SS SPURT GUARD ASSY	1
8	0061220	56F SPURT GUARD HOLDER	1
9	0058218S	56 SS SPACER RING W/BUSHING	1
10	0058219	BUSHING 56 SPACER RING	1

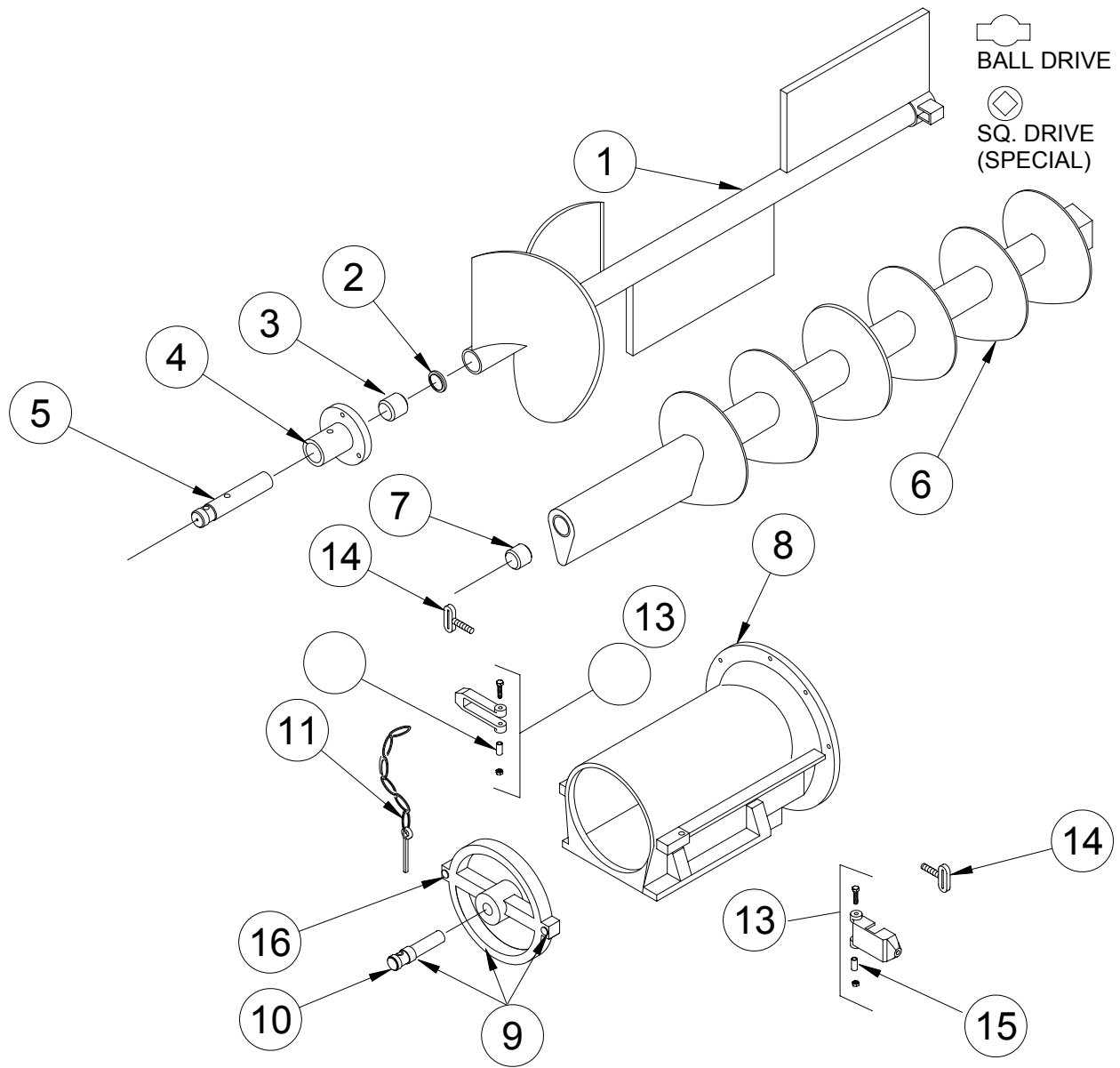


FOR AU56 STD

ITEM#	PART#	DESCRIPTION	QTY
1	0057100S	56S BOWL & LOCKING PIN	1
2	DP-06-24	56 PLATE LOCKING PIN	1
3	0057181S	56S FEED SCR. & STUD ASSY	1
4	0059144	56S FEED SCREW STUD	1
5	0059108S	56S KNIFE & PLATE RING	1
6	0059233	56 RING WRENCH	1
7	0059305	56S SPURT GUARD ASSEMBLY	1
8A	0059223	56 SS SPURT GUARD STUD	1
8B	0059224	56 SS SPURT GUARD HAND WHEEL	1
9	0058218S	56 SS SPACER RING W/BUSHING	1
10	0058219	BUSHING 56 SPACER RING	1

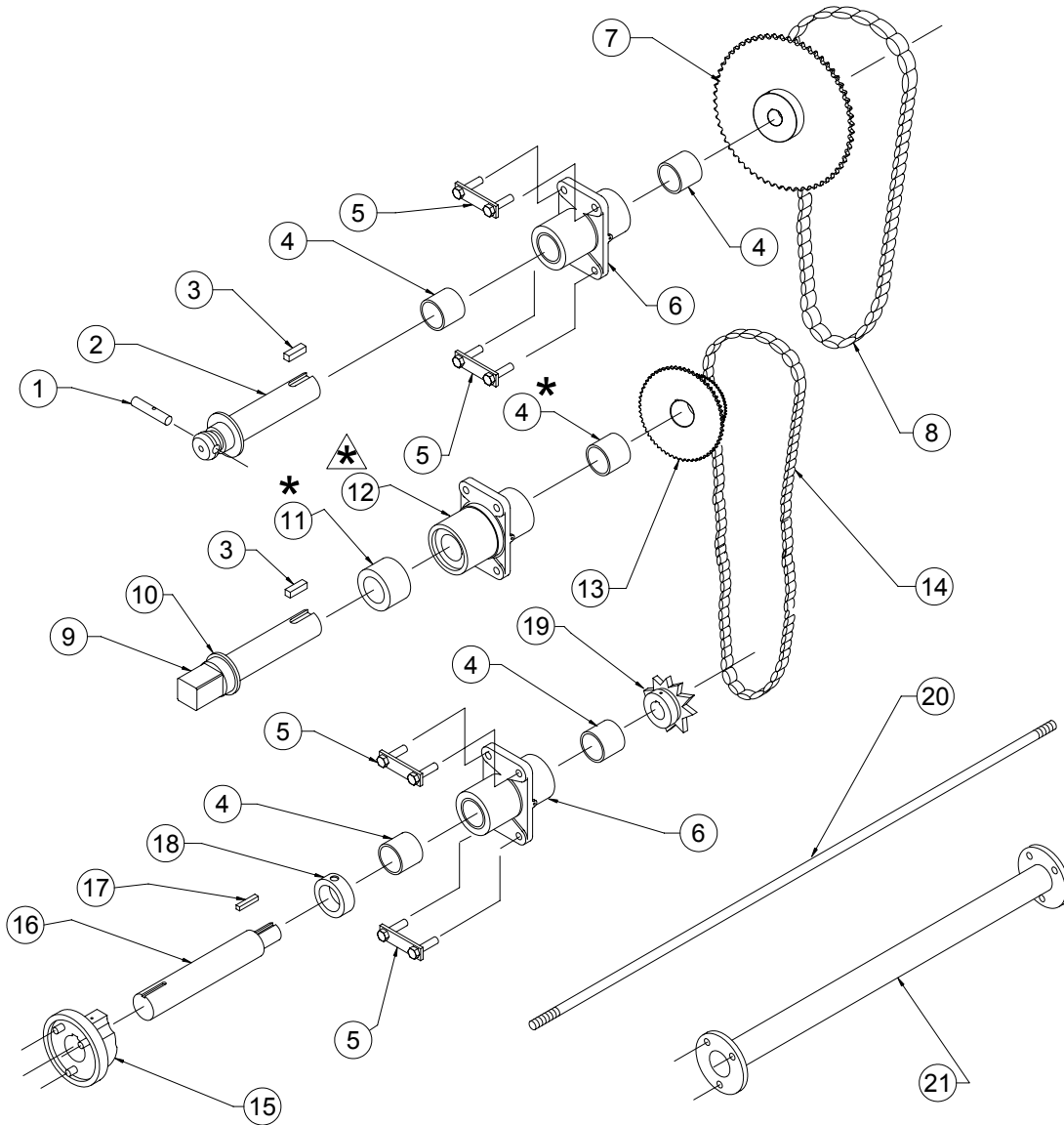


AGITATOR & CONVEYOR ASSY W/FEED BOX & COVER FOR AU56, 56F & 66S S/N 00A0022 - ON



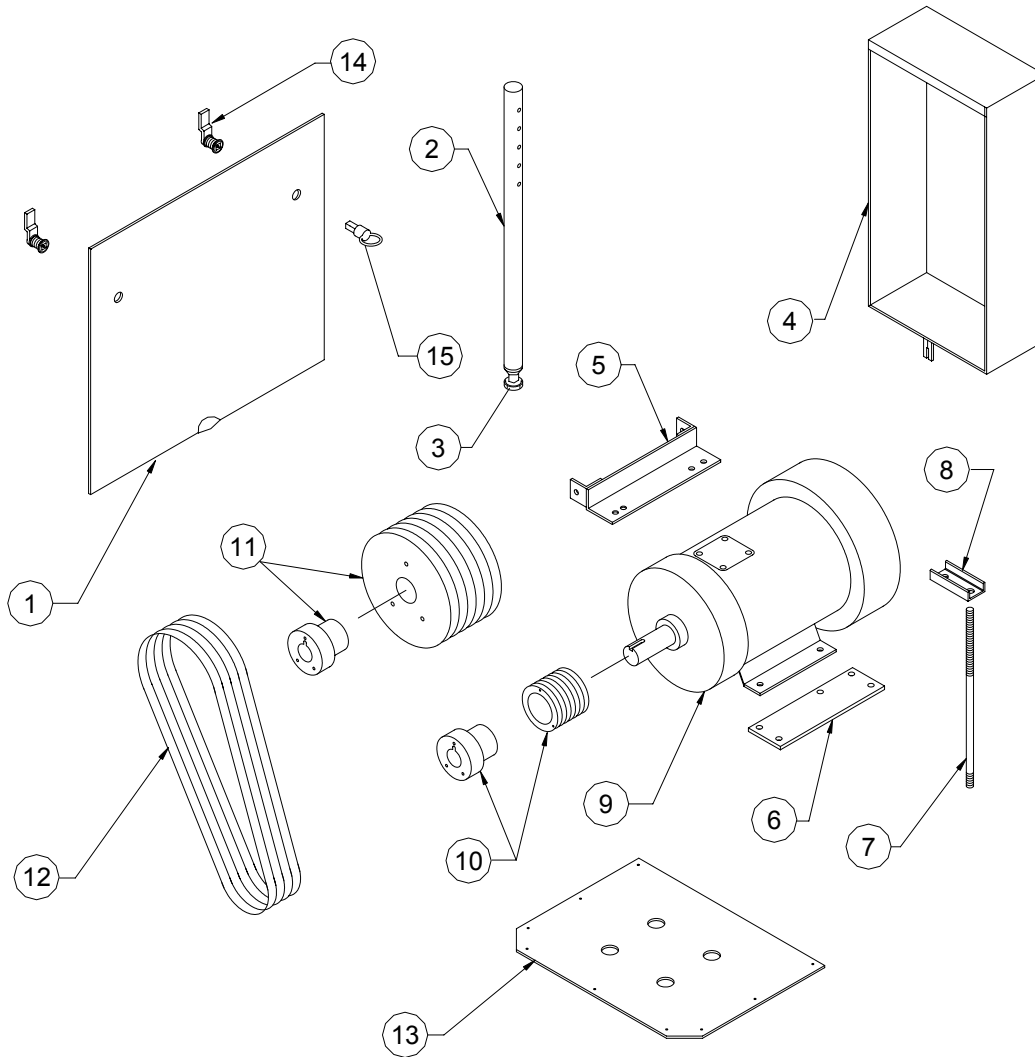
ITEM#	PART#	DESCRIPTION	QTY	ITEM#	PART#	DESCRIPTION	QTY
1	0058370	AGITATOR W/BUSH BALL DRIVE	1	9	0058100S	SS COVER & SHAFT FEED BOX	1
2	0059224	PLUG AGITATOR	1	10	0060141	FRONT SHAFT FEED BOX	1
3	0059373	NYLON BUSHING AGITATOR	1	11	0026547	PIN & CHAIN ASSY	1
4	0058116	FRONT BRACKET AGITATOR	1	12	0059148	SWING CLAMP LH	1
5	0058117	FRONT SHAFT AGITATOR	1	13	0043560	SWING CLAMP RH SAFETY	1
6	0058303	CONVEYOR ASSY W/BUSH	1	14	0059158S	SS THUMB SCREW	1
7	0058436	NYLON BUSHING CONVEYOR	1	15	0059149	BUSHING SWING CLAMP	1
8	0058220S	SS FEED BOX	1	16	0059193S	COVER RIVET	1

DRIVE COMPONENTS FOR AU56, AU56F & AU66S S/N 00A0022 - ON



ITEM#	PART#	DESCRIPTION	QTY	ITEM#	PART#	DESCRIPTION	QTY
1A	0090206	RETAINING RING (SQ. DRIVE ONLY)	1	14	0091134	LOWER CHAIN ASSY STD 56 &66F	1
1B	0058163	SPACER WASHER (SQ. DRIVE ONLY)	1	14	0091135	LOWER CHAIN ASSY SUPPER 66	1
2	0058381	UPPER DRIVE SHAFT (BALL DRIVE)	1	15	0058261	DRIVE FLANGE	1
2	00581545	UPPER DRIVE SHAFT (SQ. DRIVE)	1	16	0058265	LOWER DRIVE SHAFT	1
5	0058114	UPPER & LOWER STUD PLATE ASSY	4	17	0058247-7	KEY	1
6	0058174	UPPER & LOWER REAR BRKT. W/(2) #4	2	18	0090622	COLLAR	1
7	0091010	UPPER SPROCKET	1	19	0091013	LOWER SPROCKET STD 56 & 66F	1
8	0091106	UPPER CHAIN ASSY	1	19	0091069	LOWER SPROCKET 66S	1
9	0058269	MIDDLE DRIVE SHAFT W/ #10	1	20	0058316	TIE BAR	1
12	0058175	MIDDLE BEARING BRKT W/ #4 & #11	1	21B	0058263	DRIVE COUPLING TUBE ASSY	1
13	0058312	DOUBLE SPROCKET ASSY	1				

MOTOR PULLEYS & MISC FOR AU56, AU56F & AU66S S/N 00A0022 - ON



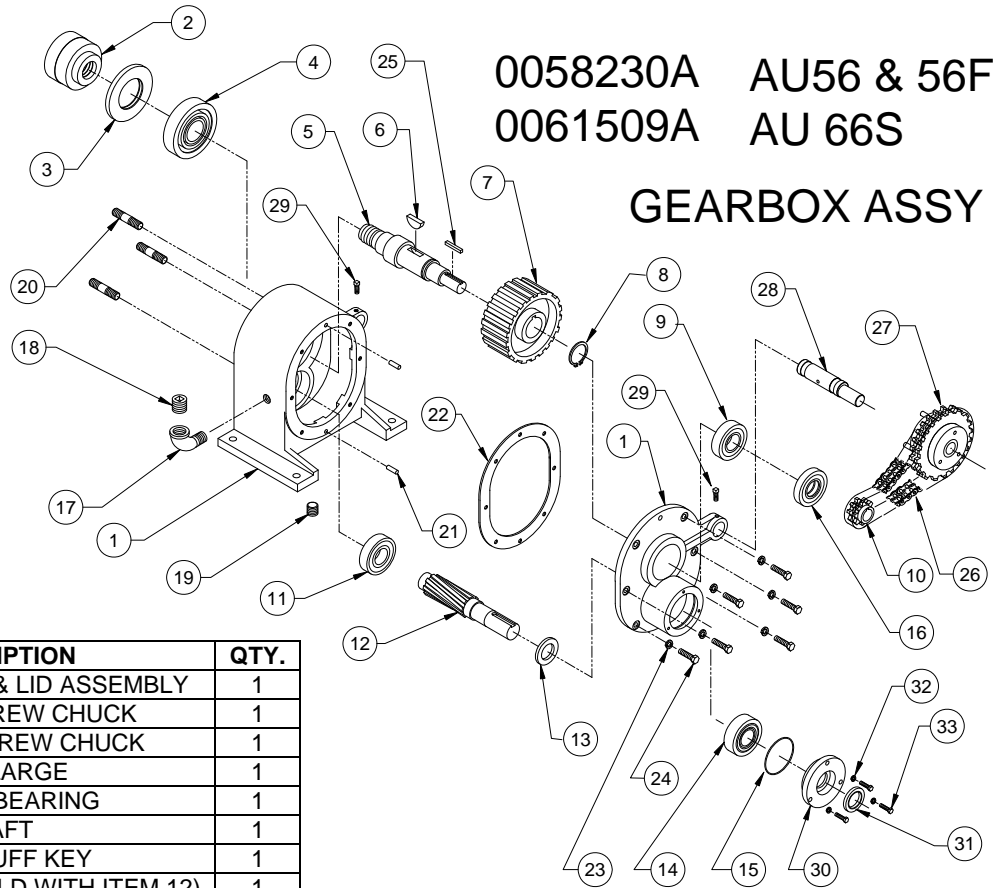
ITEM#	PART#	DESCRIPTION	QTY
1	0058520	SIDE COVER	2
2	0059226	LEG ASSY W/ INSERT & FOOT	4
3	0059390	INSET & FOOT ASSEMBLY	4
4	0058280	CHAIN COVER ASSEMBLY	1
5	0058125	MOTOR BASE ASSY 20, 25 & 30HP	1
5	0060325	MOTOR BASE ASSY 40HP	1
6	0062315	MOTOR PLATE ASSEMBLY	1
7	0060139	BELT TENSION ROD ASSEMBLY	2
8	0060156	ROD EXTENSION	2
9	0092322	25HP MOTOR 200V 3PH ODP	1
9	0092327	25HP MOTOR 230-460V 3PH ODP	1
9	0092351	40HP MOTOR 200V 3PH ODP	1
9	0092345	30HP MOTOR 230-460V 3PH ODP	1
9	0092349	40HP MOTOR 230-460V 3PH ODP	1
10	0058406	DRIVE PULLEY & HUB STD 56 & 56F	1
10	0058407	DRIVE PULLEY & HUB SUPER 66	1
11	0058405	DRIVEN PULLEY & HUB	1
12	0090521	BELT	6
13	0058521	BOTTOM COVER	2
14	0095772	LOCK	4
15	0095773	KEY	1

AU56 & AU56F P/N 0058230A AU66S P/N 0061509A
AUTO GRINDER GEAR BOX ASSEMBLY
S/N 00A0022 - ON

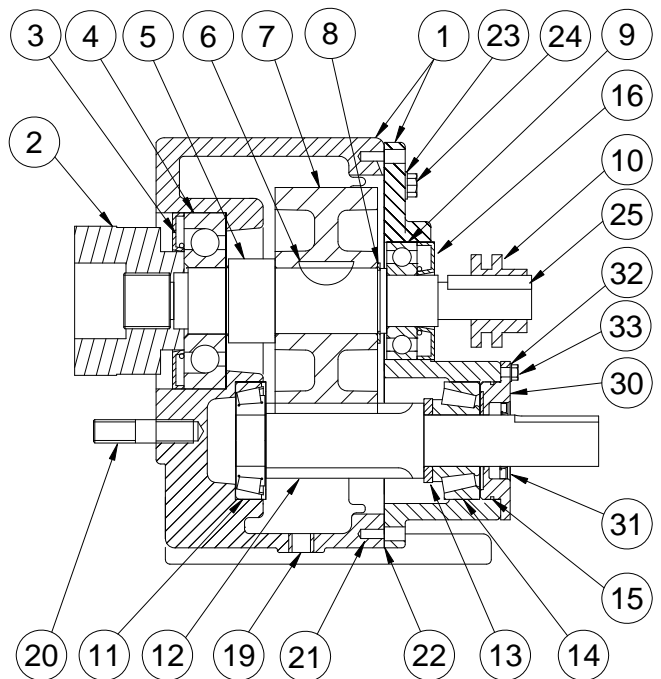
BUTCHER BOY AU56, 56F & 66S AUTO-GRINDER

0058230A AU56 & 56F
 0061509A AU 66S

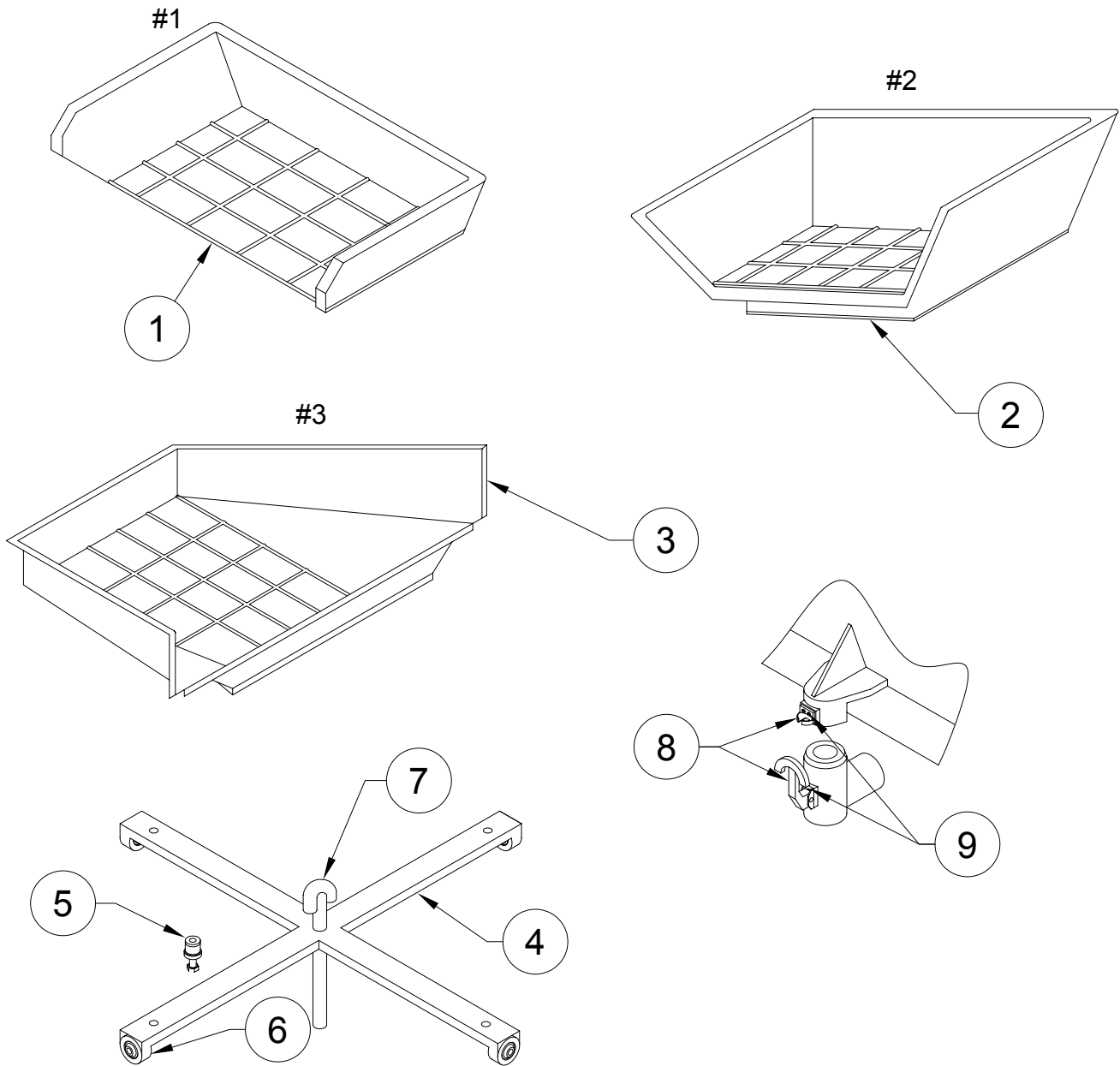
GEARBOX ASSY



ITEM	PART#	DESCRIPTION	QTY.
1	0058240	GEAR HOUSING & LID ASSEMBLY	1
2	0058222	56 FEED SCREW CHUCK	1
2	0061303-CS	66S FEED SCREW CHUCK	1
3	0090407	SEAL LARGE	1
4	0090312	THRUST BEARING	1
5	0058223	SHAFT	1
6	0090607	WOODRUFF KEY	1
7	0058025-J	GEAR WHEEL (SOLD WITH ITEM 12)	1
8	0090235	RETAINING RING	1
9	0090306	BALL BEARING	1
10	0091014	CHAIN SPROCKET DOUBLE	1
11	0058257	TAPER BEARING ASSEMBLY	1
12	0060132	PINION (SOLD WITH ITEM 7)	1
13	0060133	SPACER	1
14	0090340	TAPER ROLLER BEARING	1
15	0090482	O-RING	1
16	0090408	SEAL SMALL	2
17	0090624	1/2" X 45° STREET ELBOW	1
18	0090623	1/2" PIPE PLUG	1
19	0095159	3/8" CSK SOC PIPE PLUG	1
20	0058231	56 STUD	3
20	0061508	66 STUD	3
21	DP-05-16-N	DOWEL PIN Ø5/16 X 1" LG	2
22	0059095	GASKET	1
23	SLW-06-N	LOCK WASHER	6
24	HHCS-23-20-N	HEX HD CAP SCREW	6
25	0059247-8	KEY	1
26	0091107	DOUBLE CHAIN	1
27	0058045	DOUBLE SPROCKET ASSEMBLY	1
28	0058083	JACK SHAFT	1
29	SSSH-23-16-N	SQ HD SET SCREW	2
30	0058526	END CAP	1
31	0090481	SEAL	1
32	SLW-04-S	LOCK WASHER	3
33	HHCS-19-10-S	HEX HD CAP SCREW	3



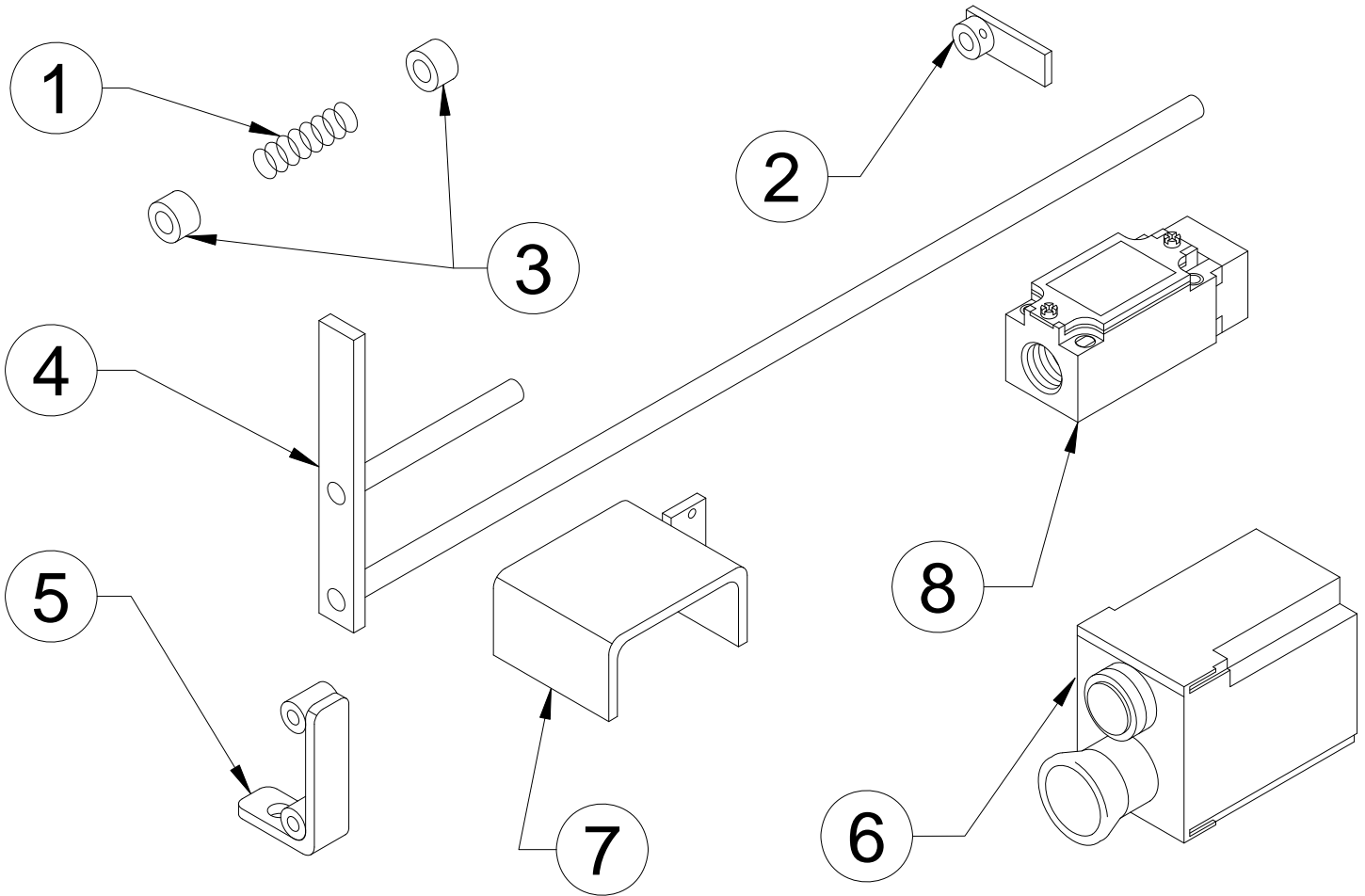
HOPPERS & COMPONENTS FOR AU56, 56F & 66S S/N 00A0022 - ON



ITEM#	PART#	DESCRIPTION	QTY
1		#1 HOPPER & GRID ASSY	1
2		#2 HOPPER & GRID ASSY	1
3		#3 HOPPER & GRID ASSY	1
4	0058390	ROTARY BASE ASSY & COMP	1
5	0059392	ADJUSTING HOLD DOWN BOLT	4
6	0095035	CASTERS	4
7	0058391	PIVOT PIN	1
8	0095799	RUBBER CLAMP	1
8	THSS-1604-SS	SCREW #10-32	4

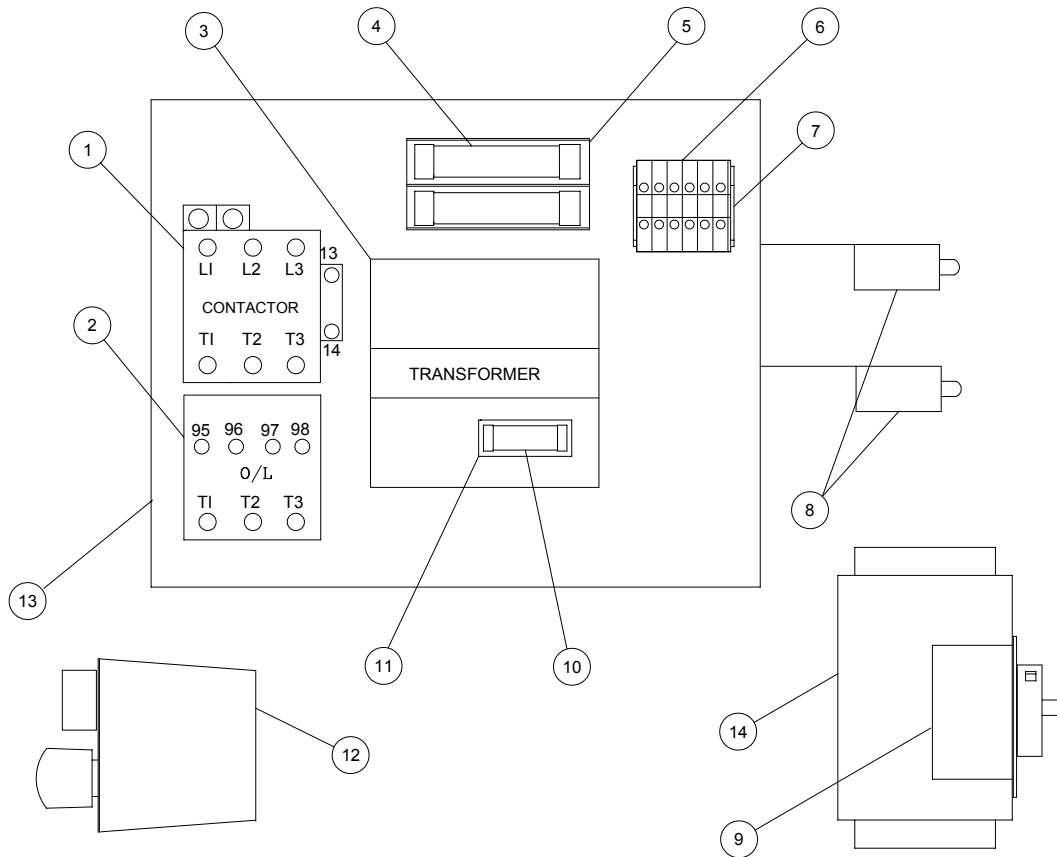
*HOPPER CAN ONLY BE REPLACED IF WHOLE MACHINE IS SENT TO A.M.E.C.

SAFETY SHUT OFF ARM ASSEMBLY FOR AU56, 56F & 66S S/N 00A0022 - ON



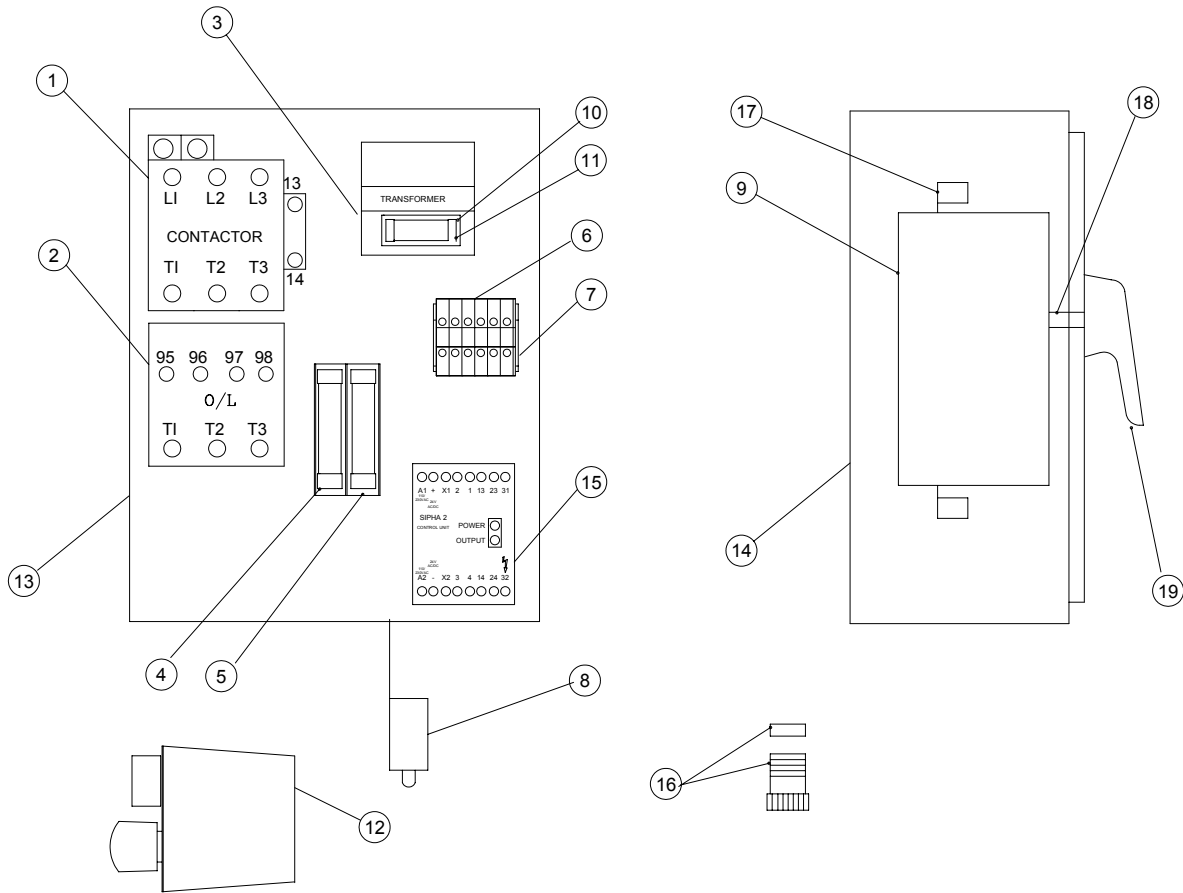
ITEM#	PART#	DESCRIPTION	QTY.
1	0010802	SPRING	1
2	0043595	REAR SHUT OFF BAR ASSEMBLY	1
3	0095006	COLLAR	2
4	0058470	SHUT OFF ARM ASSEMBLY (56)	1
4	0058455	SHUT OFF ARM ASSEMBLY (66S)	1
5	0058465	SHUT OFF BRACKET ASSEMBLY (56)	1
5	0058460	SHUT OFF BRACKET ASSEMBLY (66S)	1
6	0093285	START STOP PUSH BUTTON	1
7	0043575	SHUT OFF CHANNEL ASSEMBLY	1
8	0093271	MICRO SWITCH	1

200-460V, 3PH, 60Hz ELECTRICAL COMPONENTS FOR AU56, 56F & 66S S/N 00A0022 - ON



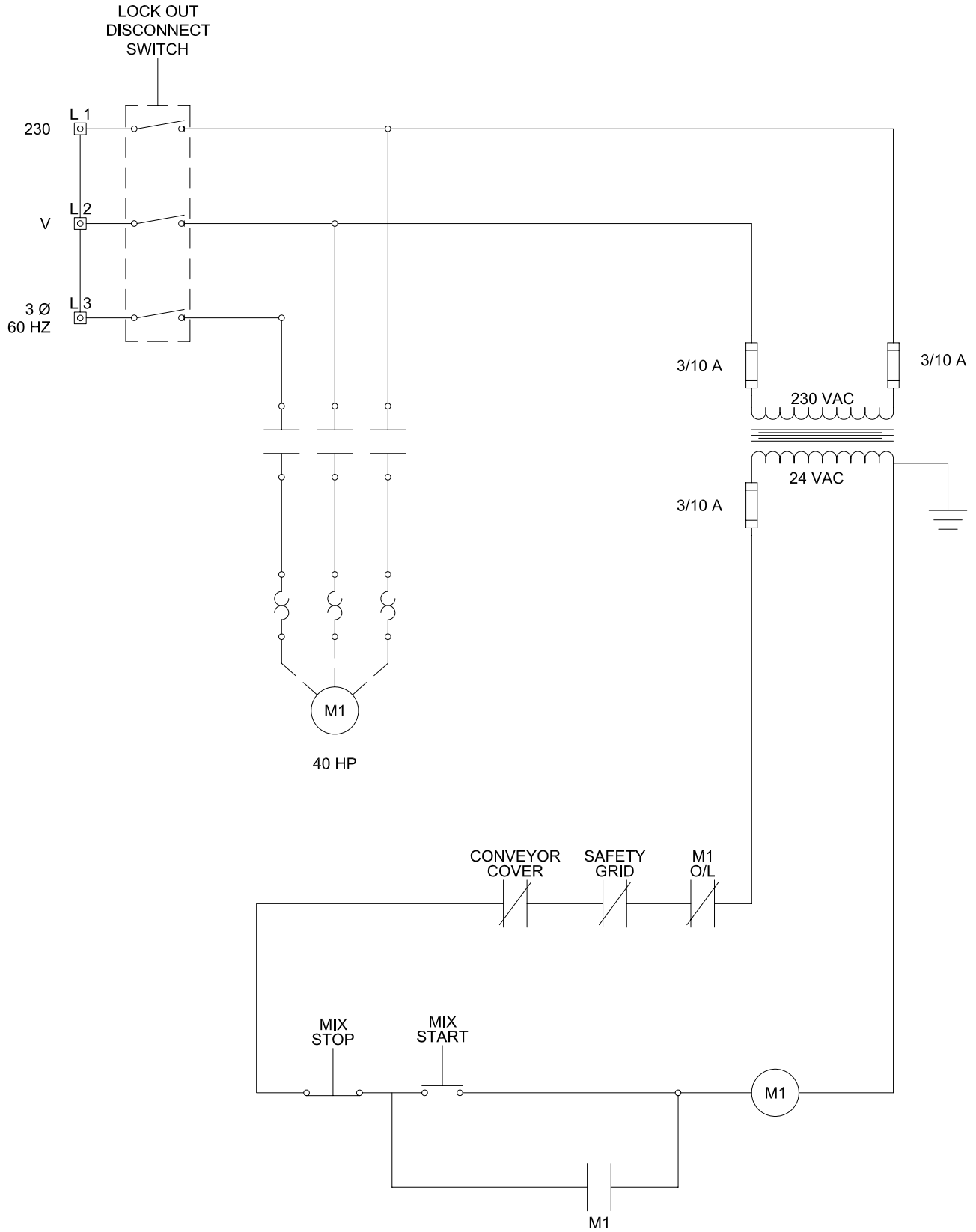
ITEM	PART#	DESCRIPTION	QTY
1	0093999-170	CONTACTOR (25HP-460V)	1
1	0093999-157	CONTACTOR (25HP-200-230V)	1
2	0093999-169	OVERLOAD (25HP-460V)	1
2	0093999-156	OVERLOAD (25HP-200-230V)	1
3	0093999-095	TRANSFORMER (460V)	1
3	0093999-158	TRANSFORMER (200-208V)	1
4	0093999-017	15/100A FUSE (460V)	2
4	0093999-159	1/2 A FUSE (200V)	2
5	0093999-024	FUSE HOLDER	1
6	0093999-070	TERMINAL BLOCK	4
7	0093999-069	GROUND TERMINAL	2
8	0093271	SAFETY SHUT OFF SWITCH	2
9	0093999-056	DISCONNECT SWITCH (460V)	1
9	0093999-196	DISCONNECT SWITCH (25HP-200-230V)	1
10	0093999-018	2.8A FUSE	1
11	0093999-056	FUSE HOLDER	1
12	0093285	PUSH BUTTON ASSEMBLY	1
13	0093999-054	SWITCH ENCLOSURE	1
14	0093999-171	JUNCTION BOX (40HP-460V)	1
14	0093999-176	JUNCTION BOX (25HP-460V)	1

200-208V, 3PH, 60Hz ELECTRICAL COMPONENTS FOR AU56, 56F & 66S S/N 00A0022 - ON



ITEM	PART#	DESCRIPTION	QTY
1	0093999-244	CONTACTOR (40HP-208V)	1
2	0093999-245	OVERLOAD 208V	1
3	0093999-243	TRANSFORMER 208-24V	1
4	0093999-251	2A FUSE (200V)	2
5	0093999-024	FUSE HOLDER	1
6	0093999-070	TERMINAL BLOCK	6
7	0093999-069	GROUND TERMINAL	2
8	0093271	SAFETY SHUT OFF SWITCH	1
9	0093999-246	DISCONNECT SWITCH	1
10	0093999-250	6A FUSE	1
11	0093999-056	FUSE HOLDER	1
12	0093285	PUSH BUTTON ASSEMBLY	1
13	0093999-240	ENCLOSURE	1
14	0093999-240	ENCLOSURE	1
15	0093999-205	CONTROL UNIT	1
16	0093999-207	SENSOR & ACTUATOR SET	1
17	0093999-249	TERMINAL LUG KIT	1
18	0093999-248	SHAFT HANDLE	1
19	0093999-247	PISTOL HANDLE	1

AU56, 56F & 66S S/N 00A0022 - ON



AU56, 56F & 66S S/N 00A0022 - ON

