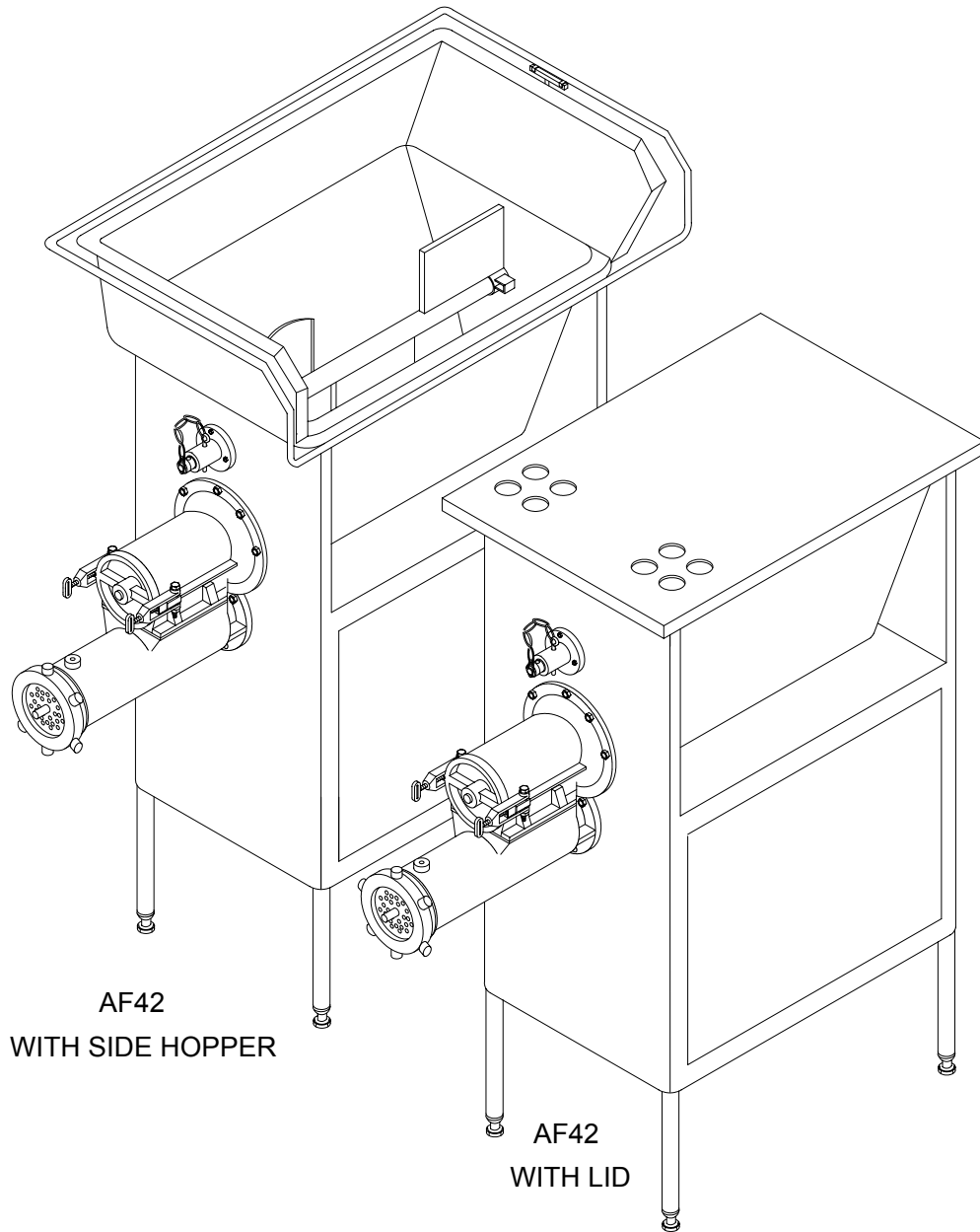


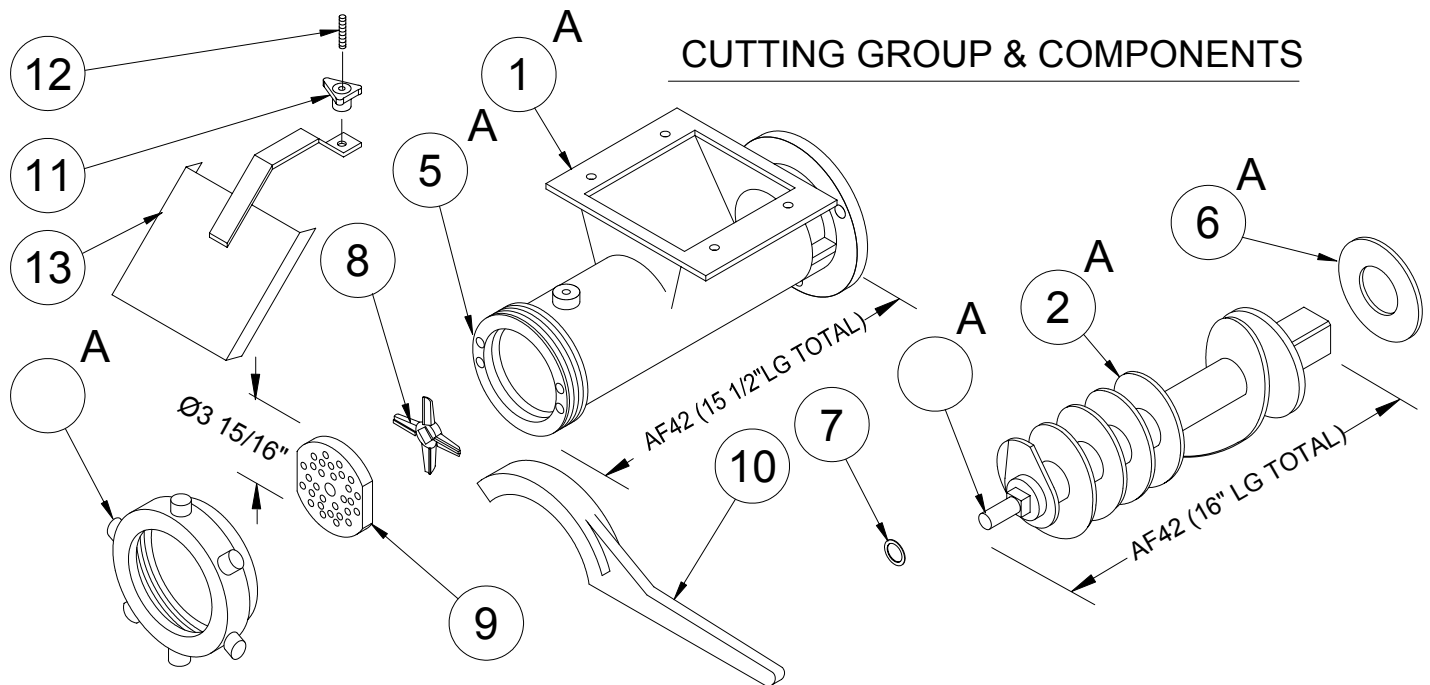
REPLACEMENT PARTS MANUAL FOR AF 42 AUTO-GRINDERS S/N 101 TO 185



(THAT WERE MANUFACTURED BY "LASAR MFG." UNTILL 1988)
AMERICAN MEAT EQUIPMENT CORP. HAD NO CONNECTION TO THE
DESIGN, MANUFACTURING OR SALES OF THESE MACHINES

REPLACEMENT PARTS FOR AF42 AUTO-GRINDER

(THAT WERE MANUFACTURED BY "LASAR MFG" UNTIL 1988)

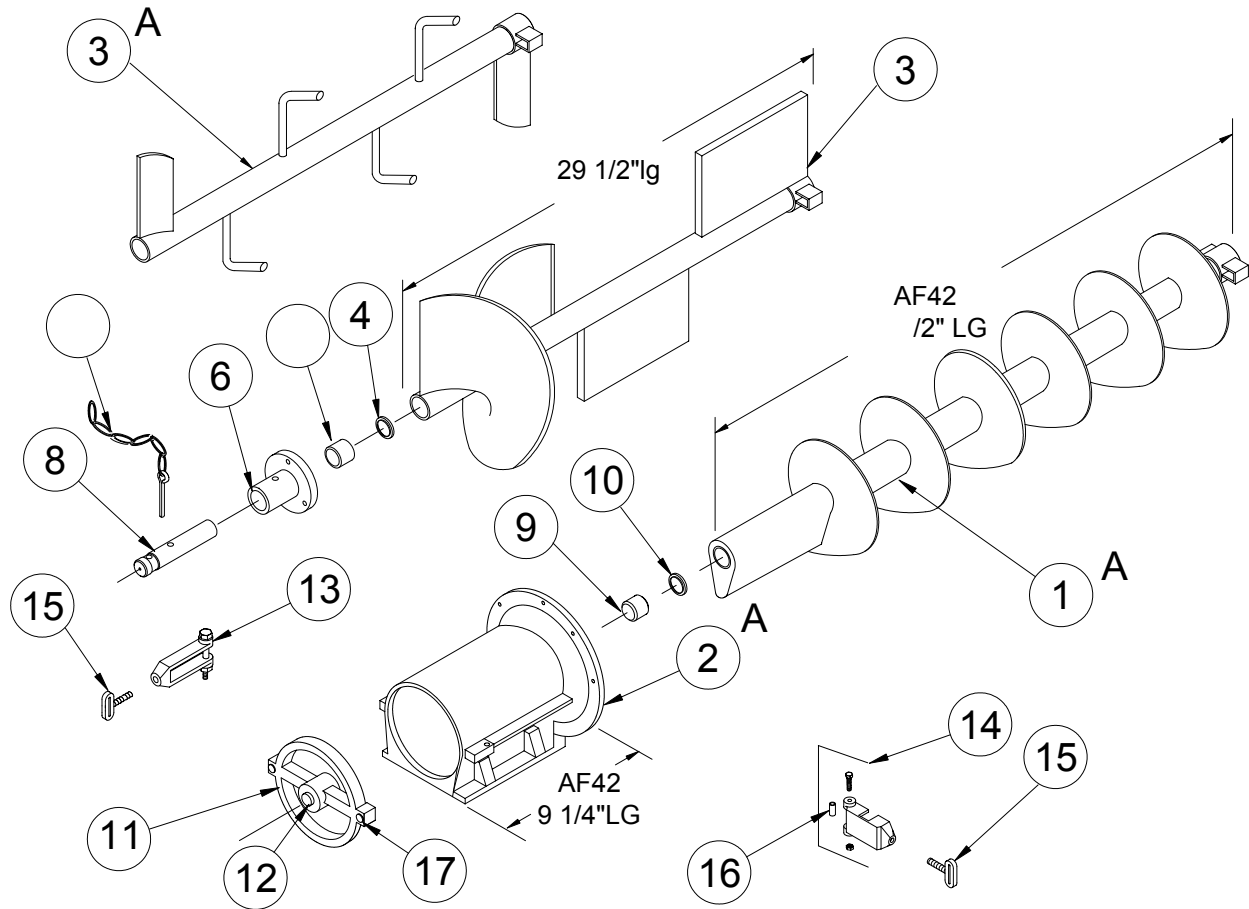


ITEM#	PART#	DESCRIPTION	QTY.
1A	0043011	AU42 BOWL	1
2A	0043138	AU42 FEED SCREW ASSEMBLY	1
3A	0042516	AU42 KNIFE & PLATE RING	1
4A	0021038	42 FEED SCREW STUD	1
5A	0059232	SCREW PLATE HOLDER	4
6A	0059273	A42 SPACER BETWEEN BOWL & F.S.	1
7A	0095113	A42 SHIM-FEED SCREW STUD	1
8i	00909251	42 KNIFE (INVESTMENT)	1
8P	0090925P	42 KNIFE (PREMIUM)	1
9A	0090921	42 - 1/8" HOLE PLATE	1
9B	0090922	42 - 3/16" HOLE PLATE	1
9C	0090920	42 - 1/4" HOLE PLATE	1
9D	0090923	42 - 3/8" HOLE PLATE	1
10	0059188	WRENCH	1
10-SS	0043620	SS WRENCH	1
11	0059224	HAND WHEEL SPURT GUARD	1
12	0059223S	SS STUD HAND WHEEL	1
13	0059208	SPURT GUARD	1

REPLACEMENT PARTS FOR AF42 AUTO-GRINDER

(THAT WERE MANUFACTURED BY "LASAR MFG" UNTIL 1988)

AGITATOR, CONVEYOR, FEEDBOX & COMPONENTS

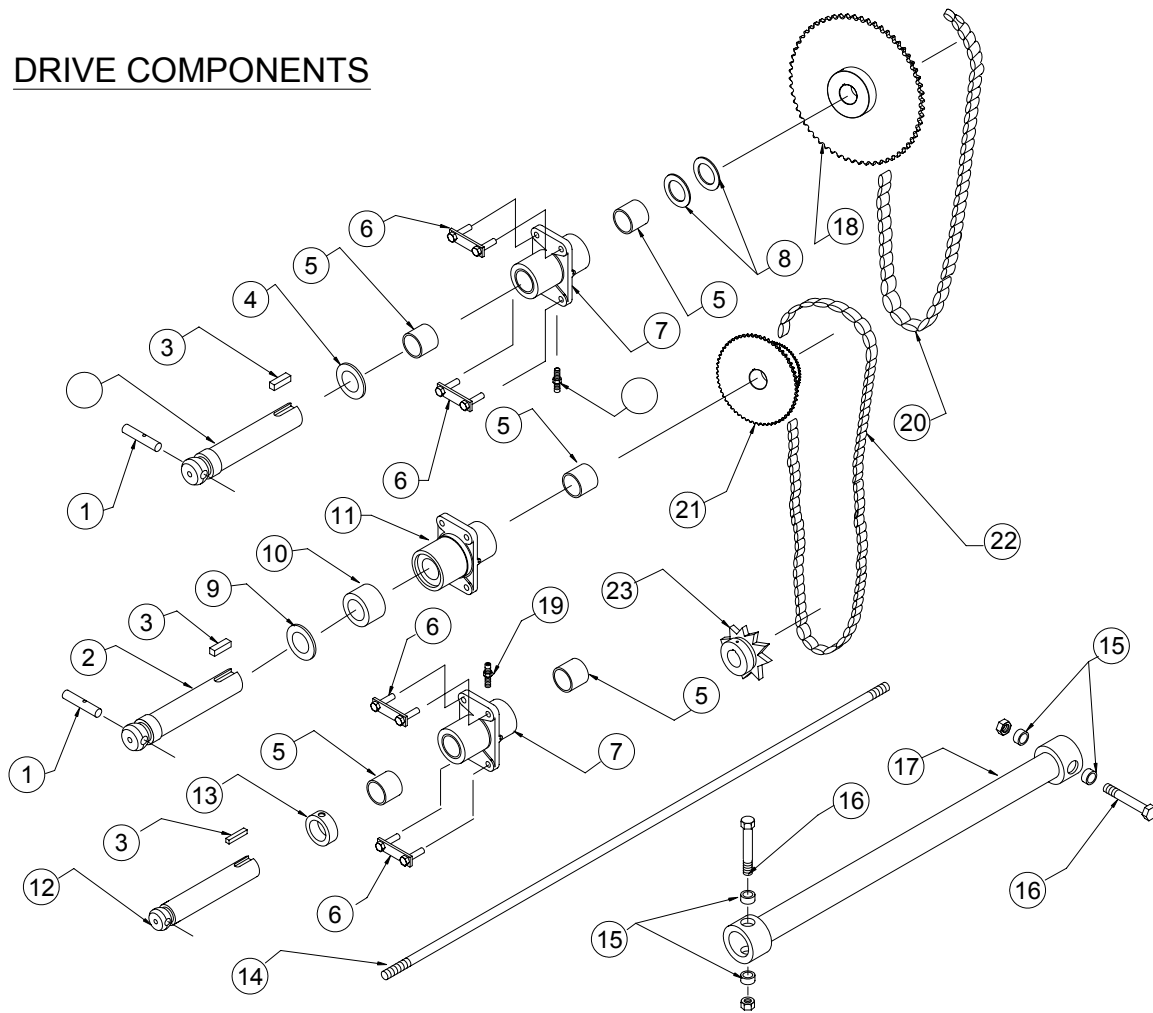


ITEM#	PART#	DESCRIPTION	QTY	ITEM#	PART#	DESCRIPTION	QTY.
1A	0043334S	CONVEYOR ASSY W/BUSH	1	9	0059373	NYLON BUSHING-CONV	1
2A	0043012	FEED BOX (ALUM)	1	10	0059243	PLUG CONVEYOR	1
2A-S	0043012S	FEED BOX (S/S)	1	11	0043047S	S/S COVER & SHAFT FEED BOX	1
3	0043190S	AGITATOR W/BUSH	1	12	0058103	FRONT SHAFT FEED BOX	1
3A	0043254S	AGITATOR W/BUSH (SPECIAL)	1	13	0059148	SWING CLAMP LH	1
4	0059244	PLUG AGITATOR	1	14	0043560	SWING CLAMP RH (SAFETY)	1
5	0059373	NYLON BUSHING AGITATOR	1	15	0059158	THUMB SCREW	2
6	0058116	FRONT BRKT AGIT. (PLATED)	1	15-S	0059158S	S/S THUMB SCREW	2
6-S	0058116S	FRONT BRKT AGIT S/S	1	16	0059149	BUSHING SWING CLAMP	2
7	0026547S	PIN & CHAIN ASSEMBLY	1	17	0059193S	S/S RIVET CONV. COVER	2
8	0058117	FRONT SHAFT AGITATOR	1				

REPLACEMENT PARTS FOR AF42 AUTO-GRINDER

(THAT WERE MANUFACTURED BY "LASAR MFG" UNTIL 1988)

DRIVE COMPONENTS

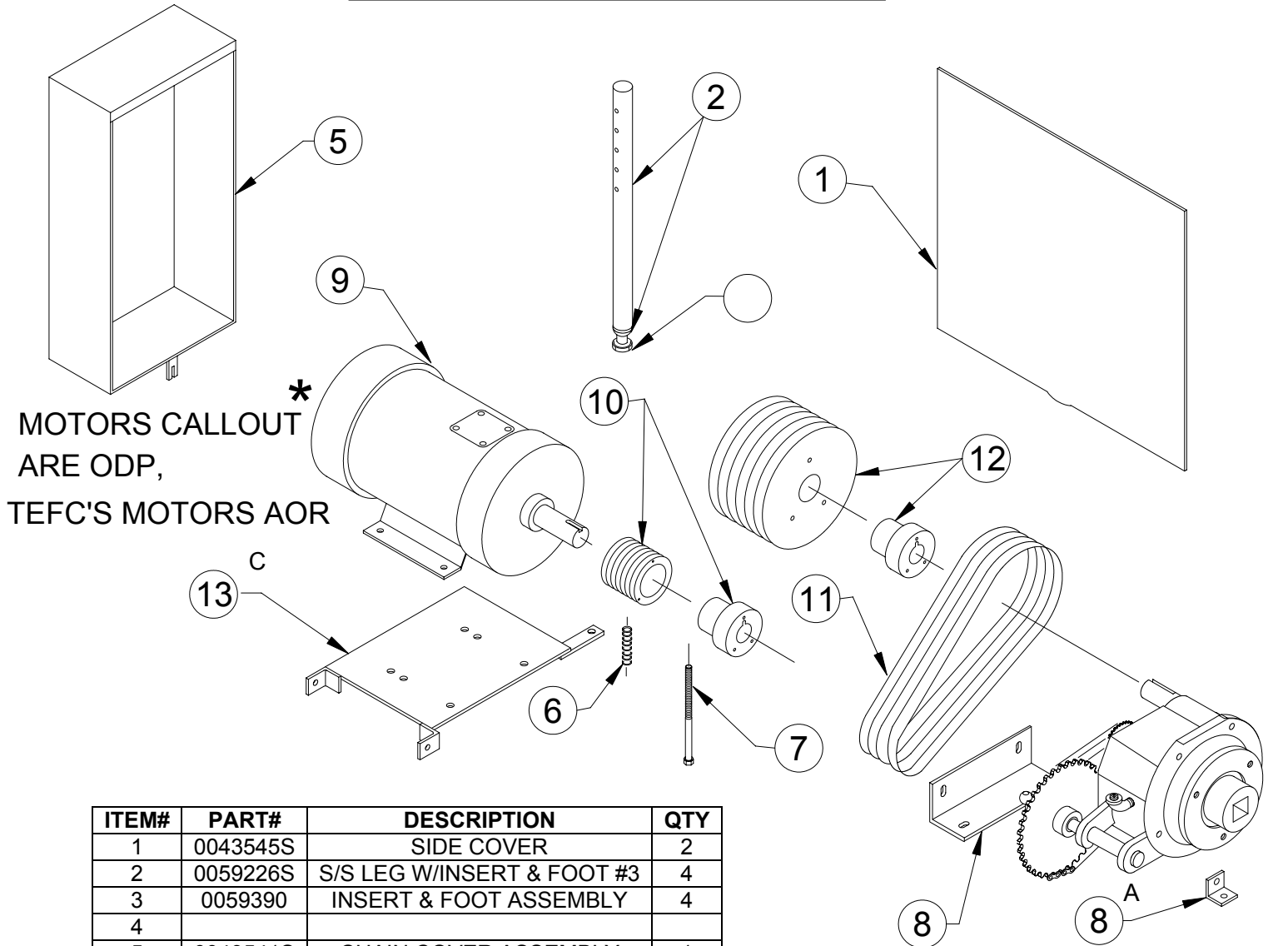


ITEM#	PART#	DESCRIPTION	QTY	ITEM#	PART#	DESCRIPTION	QTY.
1	0045048	DRIVE PIN (BALL DRIVE ONLY)	2	13	0043151	COLLAR	1
2	0043044S	UPPER & MIDDLE DRIVE SHAFT	2	14	0043197	TIE BAR	2
3	0059247-4	KEY	3	15	0043131	BUSHING DRIVE TUBE	4
4	0043156	S/S WASHER	1	16	0090657	SPECIAL BOLT & NUT	2
5	0090701	BUSHING (2) FOR #7 (1) FOR #10	5	17	0043240	DRIVE TUBE	1
6	0043143	UPPER & LOWER STUD PLATE ASSY	4	18	0043625	UPPER SPROCKET	1
7	0043057	UPPER & LOWER BEAR. BRKT. W/ (2) #4	2	19	0043206S	ADJ SCR UPPER & LOWER CHAIN	2
8	0043089	SPACER WASHER	2	20	0091139	UPPER CHAIN ASSY	1
9	0043213	THRUST WASHER	1	21	0043550	DOUBLE SPROCKET ASSY	1
10	0043117	THRUST BEARING	1	22	0091109	LOWER CHAIN ASSEMBLY	1
11	0043055	MIDDLE BEARING BRKT. W/ #5 & #9	1	23	0043280	LOWER CHAIN ASSEMBLY	1
12	0043042	LOWER DRIVE SHAFT	1				

REPLACEMENT PARTS FOR AF42 AUTO-GRINDER

(THAT WERE MANUFACTURED BY "LASAR MFG" UNTIL 1988)

MOTOR, PULLEYS & COVERS

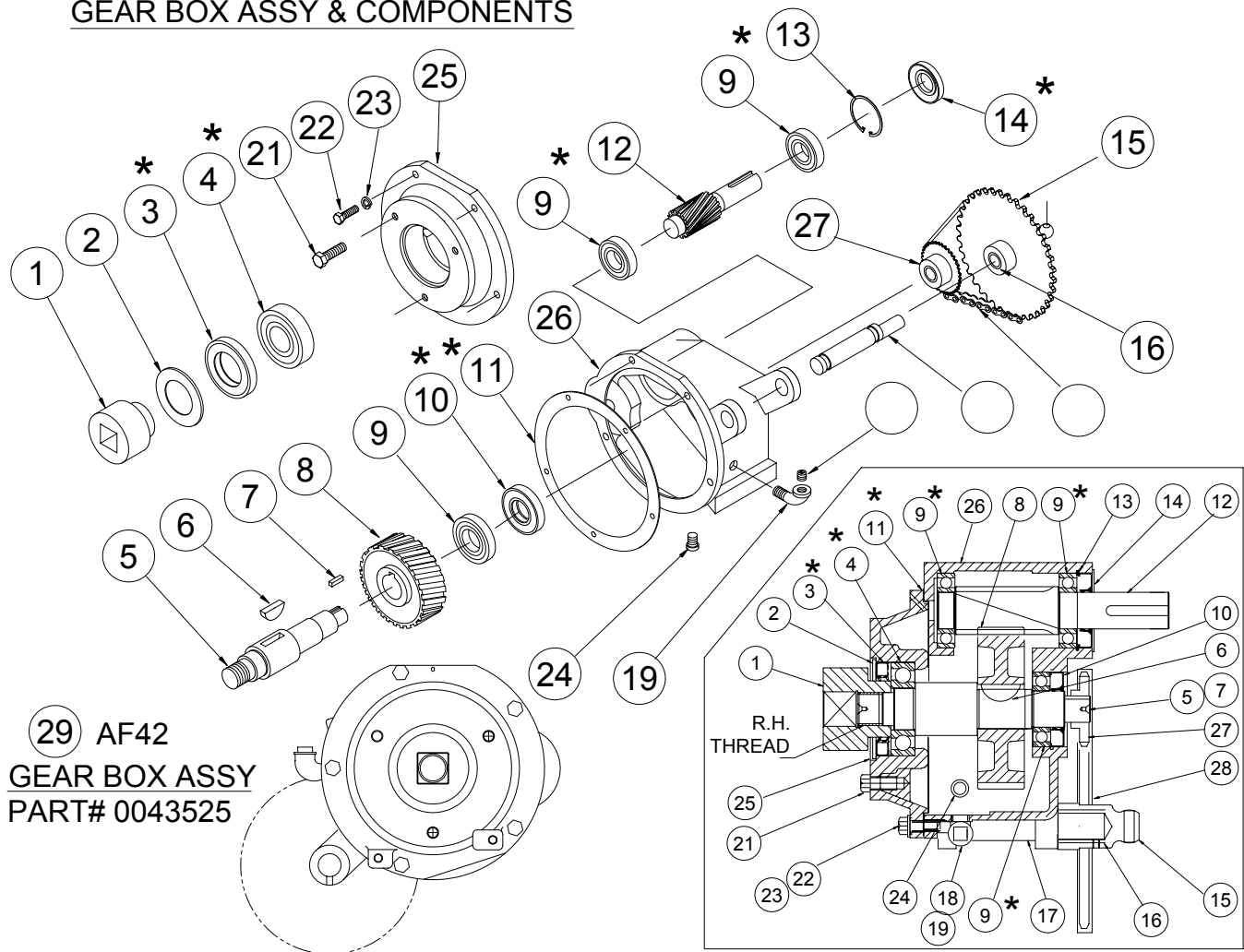


ITEM#	PART#	DESCRIPTION	QTY
1	0043545S	SIDE COVER	2
2	0059226S	S/S LEG W/INSERT & FOOT #3	4
3	0059390	INSERT & FOOT ASSEMBLY	4
4			
5	0043541S	CHAIN COVER ASSEMBLY	1
6	0043157	TENSION SPRING	1
7	0043155	TENSION STUD	1
8	0043529	G.B. SUPPORT BRACKET	1
8A	0043185	G.B. SUPPORT ANGLE	1
*9	0092230	MOTOR 7.5 HP, 3PH, ODP	1
*9	0092257	MOTOR 10 HP, 3PH, ODP	1
10	0043277	MOTOR PULLEY & HUB 4 GR	1
11	0090504	BELT	4
12	0043275	G.B. PULLEY & HUB 4 GR	1
13C	0043555S	MOTOR MOUNT	1

AF42 GEAR BOX SHOWN
FOR GEAR BOX ASSY AND
COMPONENTS SEE P 5A

REPLACEMENT PARTS FOR AF42 AUTO-GRINDER (THAT WERE MANUFACTURED BY "LASAR MFG" UNTIL 1988)

GEAR BOX ASSY & COMPONENTS

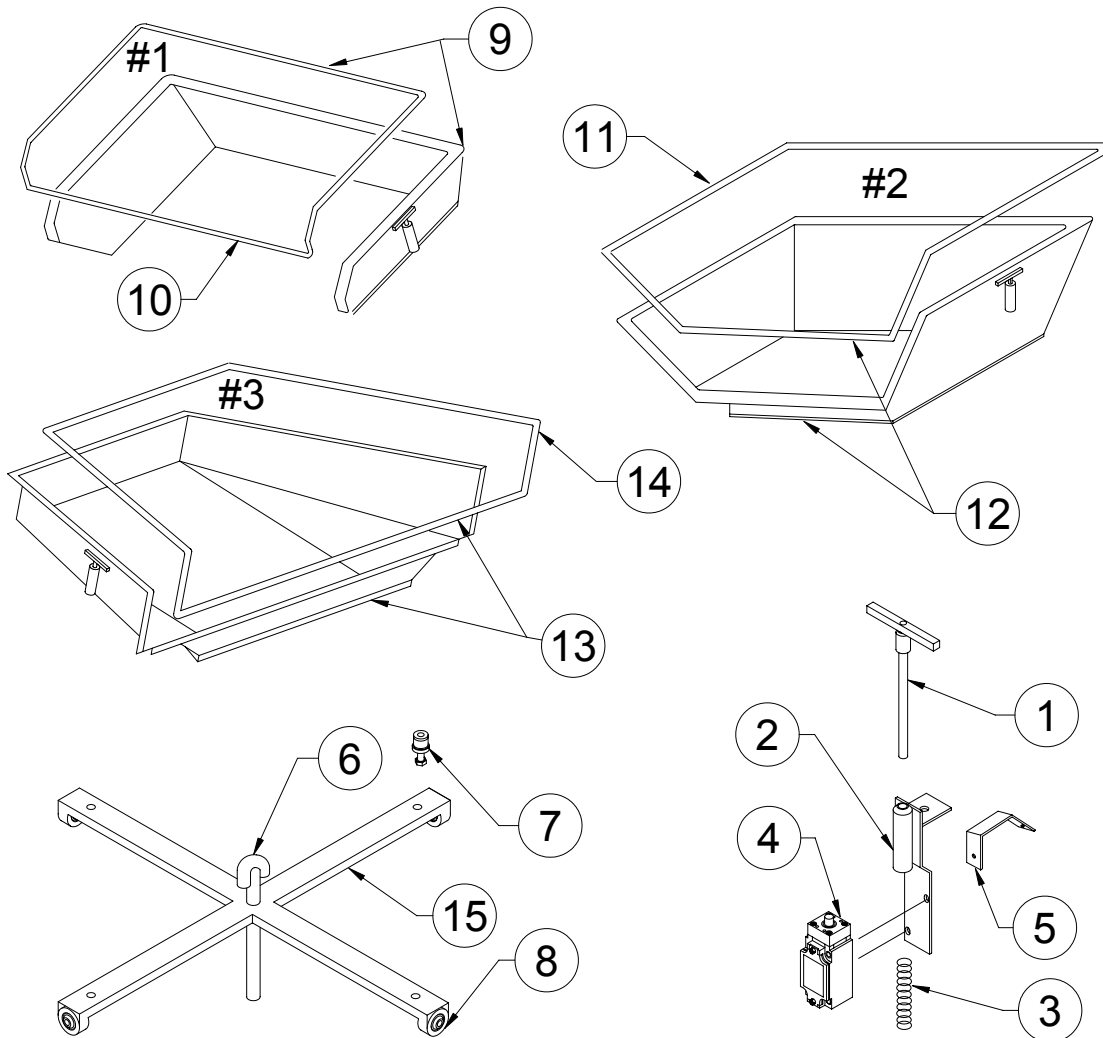


ITEM#	PART#	DESCRIPTION	QTY	ITEM#	PART#	DESCRIPTION	QTY
1	0059060	DRIVE CHUCK	1	16	0090702	BUSHING SPROCKETS	1
2	0043148	SEAL WASHER	1	17	0043122	JACK SHAFT SPROCKET	1
*3	0090405	SEAL (LARGE)	1	18	0090613	PIPE PLUG	1
*4	0090303	THRUST BEARING	1	19	0090620	PIPE ELBOW	1
5	0043016	DRIVE SHAFT	1	*20	0043650	REBUILDING KIT	1
6	0090607	WOODRUFF KEY	1	21	HHCS-27-24-SS	SCREW	3
7	0059247-4	KEY	1	22	HHCS-23-16-SS	SCREW	5
8		GEAR (PURCHASE W/ #12)	1	23	SLW-06-SS	LOCK WASHER	5
*9	0090304	BEARING HOUSING	3	24	0090613	PLUG	1
*10	0090406	SEAL (SMALL DRIVE SHAFT)	1	25	0043527	COVER GEAR BOX	1
*11	0059061	GASKET	1	26	0043526	HOUSING GEAR BOX	1
12	0043181	PINION & GEAR WHEEL #8	1	27	0091009	SMALL SPROCKET	1
13	0090205	RETAINING RING HOUSING	1	28	0091105	CHAIN ASSEMBLY	1
*14	0090404	SEAL (PINION)	1	29	0043525	GEAR BOX ASSEMBLY	1
15	0043063	SPROCKET ASSY W/BUSH #16					

REPLACEMENT PARTS FOR AF42 AUTO-GRINDER

(THAT WERE MANUFACTURED BY "LASAR MFG" UNTIL 1988)

HOPPERS WITH SAFETY RAIL, & ROTARY BASE ASSY & COMPONENTS

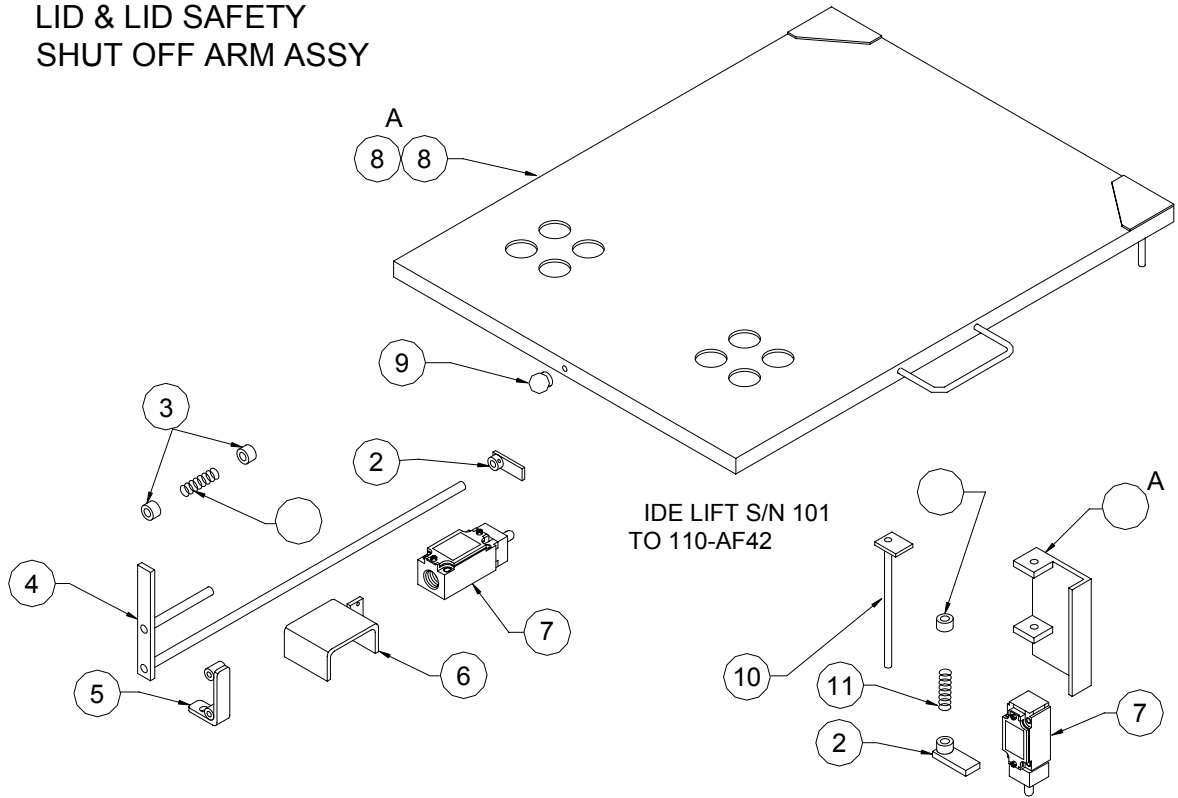


ITEM#	PART#	DESCRIPTION	QTY	ITEM#	PART#	DESCRIPTION	QTY
1	0043360	SAFETY PIVOT PIN	1	9	0043410	#1 HOPPER & RAIL ASSEMBLY	1
2	0043385	TENSION TUBE ASSEMBLY	1	*10	0043415	SAFETY RAIL #1 HOPPER	1
3	0043341	SPRING	1	11	0043420	#2 HOPPER & RAIL ASSEMBLY	1
4	0093271	LIMIT SWITCH	1	*12	0043425	SAFETY RAIL #2 HOPPER	1
5	0043411	BRACKET FOR #1 HOPPER	1	13	0043430	#3 HOPPER & RAIL ASSEMBLY	1
6	0058391S	PIVOT PIN	1	*14	0043435	SAFETY RAIL #3 HOPPER	1
7	0059392	ADJ. HOLD DOWN BOLT	4	15	0043610	ROTARY BASE & COMP.	1
8	0095035	CASTERS	4				

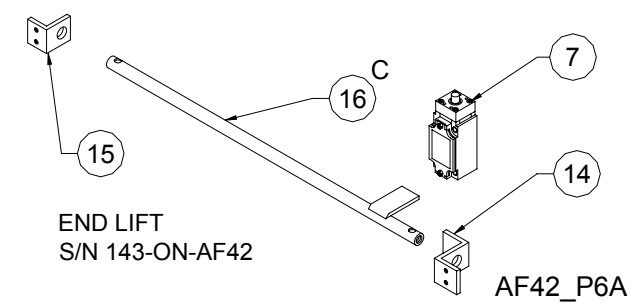
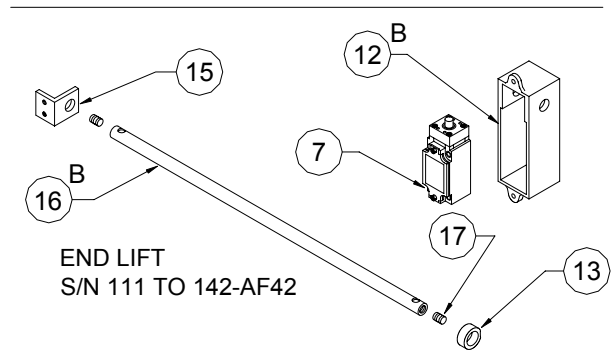
REPLACEMENT PARTS FOR AF42 AUTO-GRINDER

(THAT WERE MANUFACTURED BY "LASAR MFG" UNTIL 1988)

LID & LID SAFETY SHUT OFF ARM ASSY



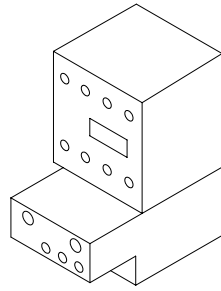
ITEM#	PART#	DESCRIPTION	QTY
1	0010802	SPRING	1
2	0043595	REAR SHUT OFF BAR ASSY	1
3	0095006	COLLAR	2
4	0043565S	SHUT OFF ARM ASSY	1
5	0043470	SHUT OFF BRKT ASSY (42)	1
6	0043575S	SHUT OFF CHANNEL ASSY	1
7	0093271	LIMIT SWITCH	2
8	0043530	LID SIDE LIFT	1
8A	0043630	LID END LIFT	1
9	0090638	KNOB	1
10	0043585	REAR SHUT OFF ARM	1
11	0043341	SPRING	1
12A	0043590	REAR SWITCH BRKT	1
12B	0043635	LIMIT SWITCH BOX	1
13	0040437	SWITCH CAM	1
14	0043599	BRACKET	1
15	0043598	BRACKET	1
16B	0043628	LID PIVOT ROD	1
16C	0043636	LID PIVOT ROD	1
17	SHSS-28-08-SS		



REPLACEMENT PARTS FOR AF42 AUTO-GRINDER (THAT WERE MANUFACTURED BY "LASAR MFG" UNTIL 1988)

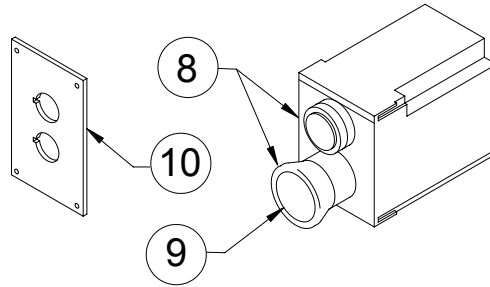
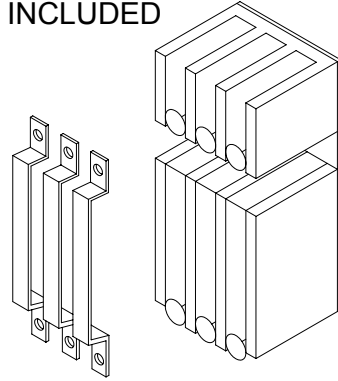
ELECTRICAL COMPONENTS

TYPE "A" SWITCH
(CONTACTOR & O/L)



TYPE "F"
SWITCH CONTACTER (3)
HEATERS NOT INCLUDED

(3)
TYPE "F"
HEATER



ITEM#	PART#	DESCRIPTION	QTY
8	0093285	START STOP PUSH BUTTON ASSEMBLY	1
9	0093290	STOP BUTTON FOR (CHECK BRAND)	1
10	0040104	SWITCH HOLDER PLATE	1

CHART G25						"F" TYPE			A TYPE
7 ½ HP	3 PH	VOLTAGE				"F" TYPE CONTACTOR	"F" TYPE HEATERS (3) REQUIRED		"A" TYPE CONTACTOR & O/L
		575V	460V	230V	208V	PART#	"H"#	PART#	PART#
		8.1				0093010	E51	0093536	0093649
			10.0			0093008	E53	0093537	0093645
				20.0		0093011	E62	0093544	0093651
					23.0	0093011	E65	0093545	0093650
10 HP	3 PH	10.4				0093010	E54	0093538	0093649
			13.0			0093008	E56	0093540	0093646
				26.0		0093011	E67	0093546	0093657
					28.0	0093011	E69	0093555	0093657